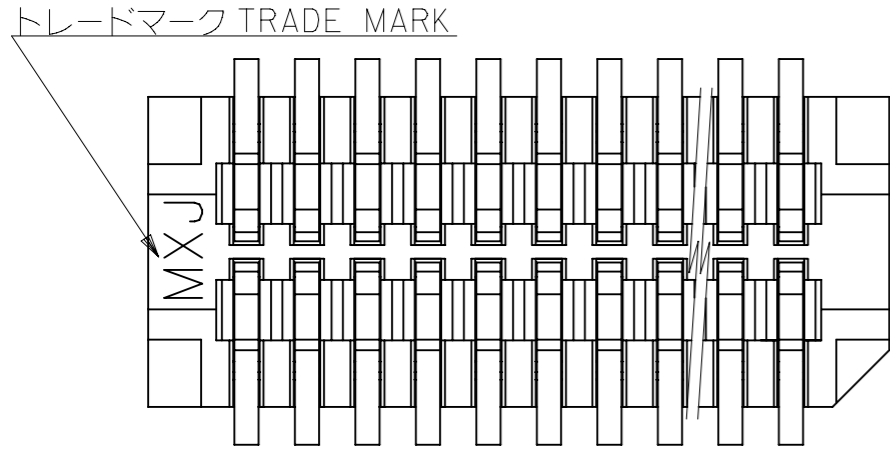


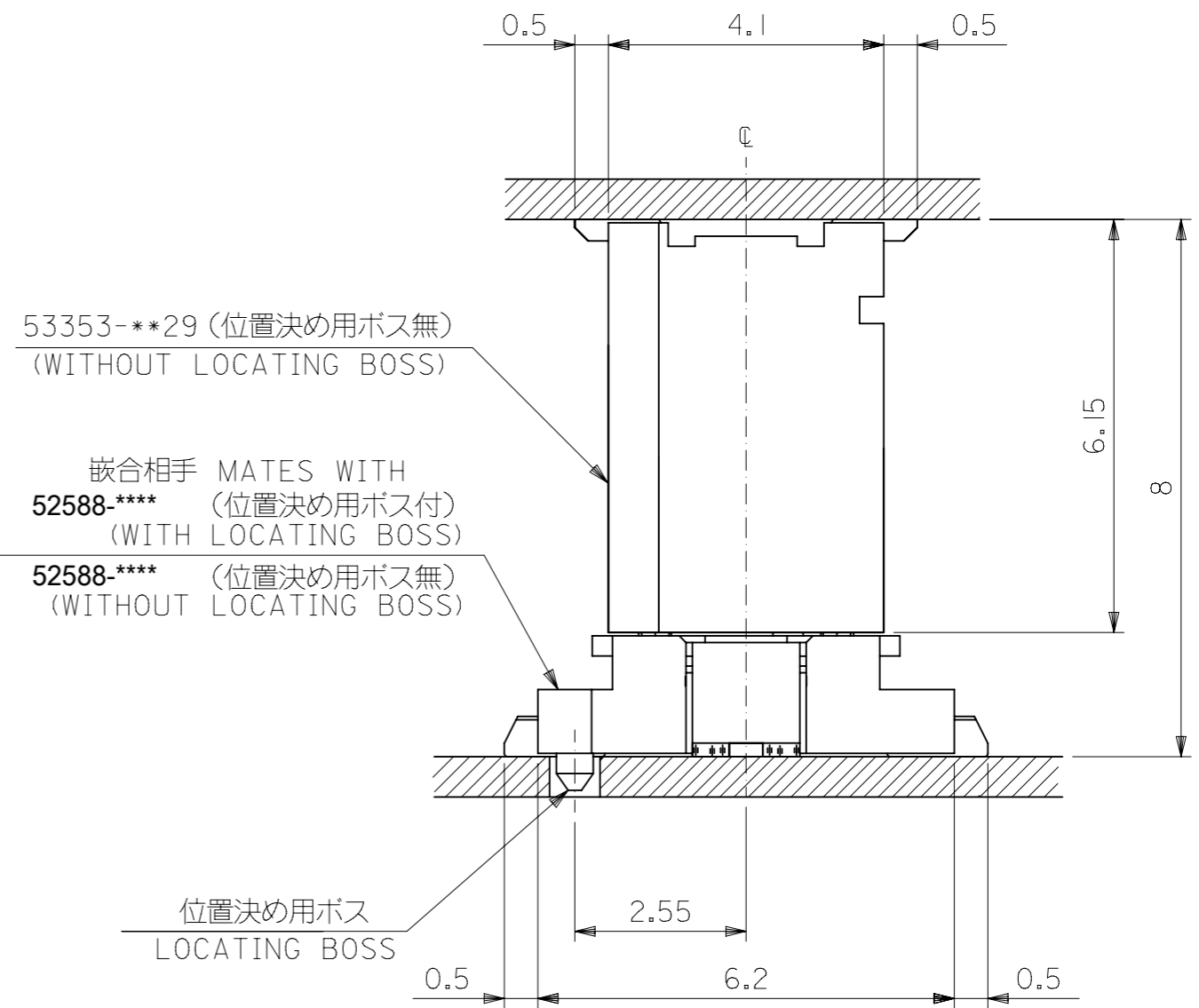
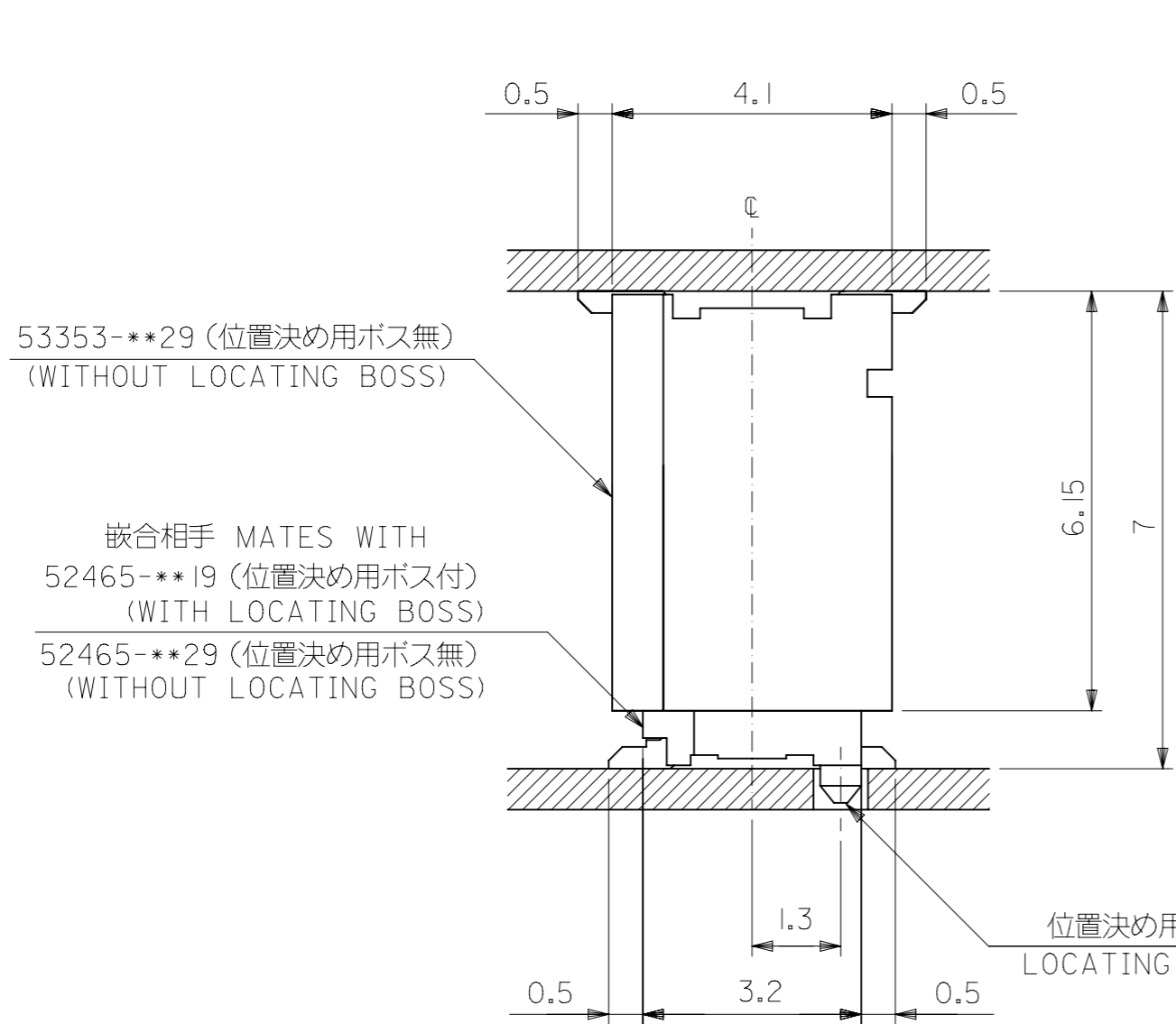
- 注記 NOTES
1. 嵌合相手: 52465, 52588 シリーズ  
MATES WITH: 52465, 52588 SERIES
  2. ウェハーの  $\phi$  から隣接するピンの  $\phi$  迄の位置を示す。  
SHOW POSITION FROM  $\phi$  OF WAFER TO  $\phi$  OF ADJACENT PINS.
  3. ELV 及び RoHS 適合品。  
ELV AND RoHS COMPLIANT.
  4. テール平坦度: 0.1MM MAX.  
COPLANARITY: 0.1MM MAXIMUM



0.8	5.8	4.9	3.2	53353-1071	10
D	C	B	(A)	EMBOSSED PACKAGE オーダー番号 ORDER NO. CONNECTOR SERIES No. : 53353-**29	極数 CIRCUIT

THIS DRAWING CONTAINS INFORMATION THAT IS PROPRIETARY TO MOLEX ELECTRONIC TECHNOLOGIES, LLC AND SHOULD NOT BE USED WITHOUT WRITTEN PERMISSION

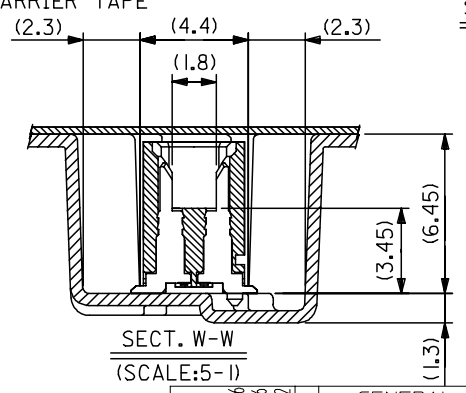
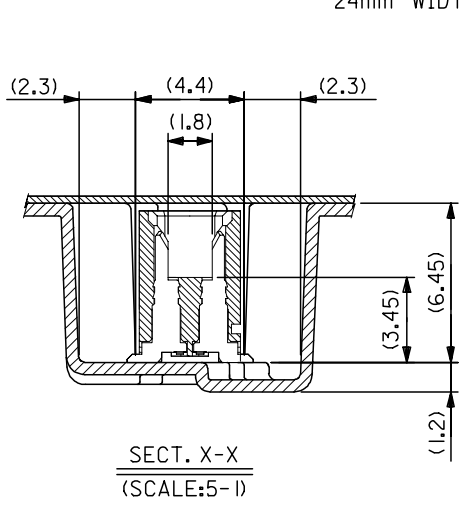
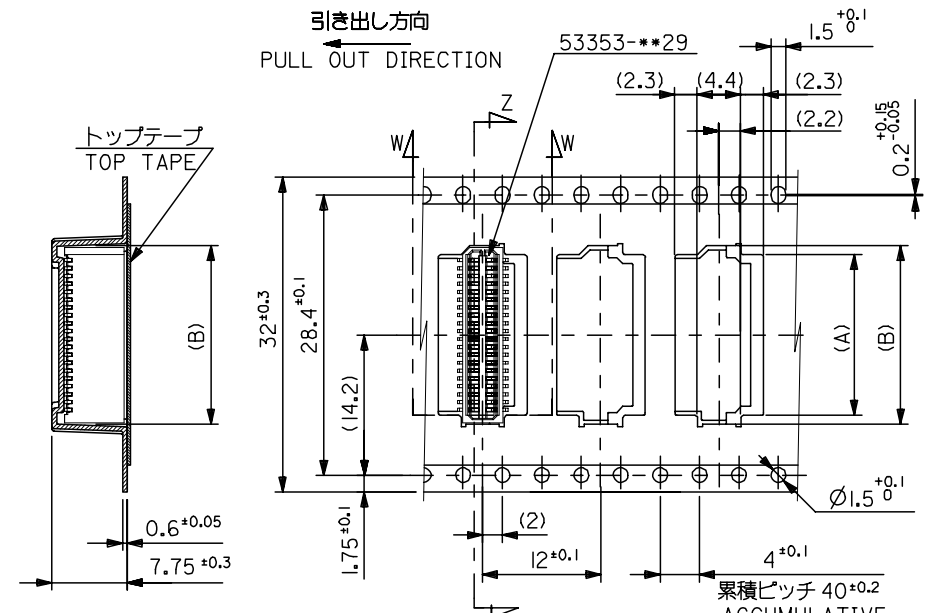
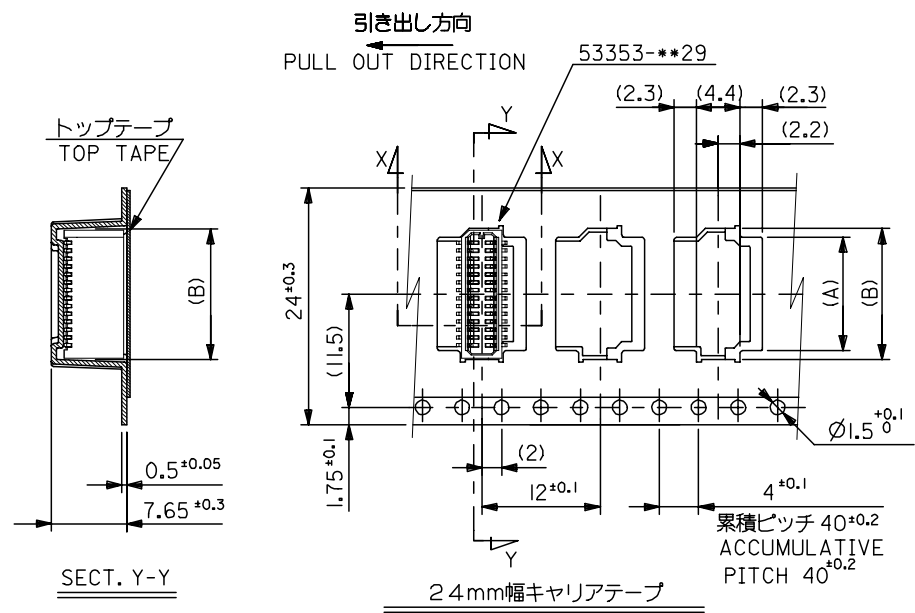
DIMENSION UNITS <b>mm</b>	SCALE <b>NTS</b>	CURRENT REV DESC: REMOVED OBSOLETE PART NUMBERS AS PER PCN#510812	<b>molex</b>		
GENERAL TOLERANCES (UNLESS SPECIFIED)					
ANGULAR TOL	± 3.0°	EC NO: 728320	PRODUCT CUSTOMER DRAWING		
4 PLACES	± 0.2	DRWN: LIKITV 2022/11/10	DOCUMENT NUMBER		
3 PLACES	± 0.25	CHK'D: GGA 2022/12/12	DOC TYPE DOC PART REVISION		
2 PLACES	± 0.3	APPR: GGA 2022/12/12	SD-53353-003 PSD 001 C1		
1 PLACE	±	INITIAL REVISION:	MATERIAL NUMBER		
0 PLACES	±	DRWN: YWADA 2004/03/05	CUSTOMER		
DRAFT WHERE APPLICABLE MUST REMAIN WITHIN DIMENSIONS		THIRD ANGLE PROJECTION	DRAWING	SERIES	SHEET NUMBER
			A3-SIZE	53353	1 OF 2



嵌合状態図 (参考)  
MATED DRAWING (REF.)

CONNECTOR SERIES No. : 53353-\*\*-29

THIS DRAWING CONTAINS INFORMATION THAT IS PROPRIETARY TO MOLEX ELECTRONIC TECHNOLOGIES, LLC AND SHOULD NOT BE USED WITHOUT WRITTEN PERMISSION									
DIMENSION UNITS	SCALE	CURRENT REV DESC: REMOVED OBSOLETE PART NUMBERS AS PER PCN#510812							
mm	NTS								
GENERAL TOLERANCES (UNLESS SPECIFIED)									
ANGULAR TOL	± 3.0 °	EC NO: 728320 DRWN: LIKITV 2022/11/10 CHK'D: GGA 2022/12/12 APPR: GGA 2022/12/12							
4 PLACES	± 0.2								
3 PLACES	± 0.25	INITIAL REVISION: DRWN: YWADA 2004/03/05 APPR: MSASAO 2004/03/11							
2 PLACES	± 0.3								
1 PLACE	±	DOCUMENT NUMBER		DOC TYPE	DOC PART	REVISION	PRODUCT CUSTOMER DRAWING SD-53353-003 PSD 001 C1		
0 PLACES	±	SD-53353-003		PSD	001	C1			
DRAFT WHERE APPLICABLE MUST REMAIN WITHIN DIMENSIONS	THIRD ANGLE PROJECTION	DRAWING	SERIES	MATERIAL NUMBER	CUSTOMER	SHEET NUMBER			
		A3-SIZE	53353	SEE CHART	GENERAL MARKET	2 OF 2			



32mm幅キャリアテープ 32mm WIDTH CARRIER TAPE		32mm幅キャリアテープ 32mm WIDTH CARRIER TAPE		32mm幅キャリアテープ 32mm WIDTH CARRIER TAPE		32mm幅キャリアテープ 32mm WIDTH CARRIER TAPE		32mm幅キャリアテープ 32mm WIDTH CARRIER TAPE	
32	37.4	33.4	18.1	16.3	53353-4071	40			
			16.5	14.7	53353-3671	36			
24	29.4	25.4	14.1	12.3	53353-3071	30			
			13.3	11.5	53353-2871	28			
			10.9	9.1	53353-2271	22			
			10.1	8.3	53353-2071	20			
			9.3	7.5	53353-1871	18			
キャリアテープ幅 CARRIER TAPE WIDTH	D	C	(B)	(A)	MATERIAL NO.	極数 CIRCUIT			

REVISED EC NO: J2005-2159 DRAWN: KENSUJUKI CHKD: NUKITA APPR: NUKITA 2005/01/26 2005/01/26 2005/02/02	GENERAL TOLERANCES (UNLESS SPECIFIED)		DIMENSION STYLE MM ONLY		SCALE ---		DESIGN UNITS METRIC		THIRD ANGLE PROJECTION	
	10 UNDER	±0.2	DRAWN BY	DATE	TITLE					
	10 OVER 30 UNDER	±0.25	YWADA	2004/03/04	0.8 BTB CONN WAFER ASSY					
	30 OVER	±0.3	CHECKED BY	DATE	ST SMT WITHOUT BOSS					
		MSASAO	2004/03/04	EMBTP PKG -LEAD FREE-						
		APPROVED BY	DATE	MOLEX INCORPORATED						
		MSASAO	2004/03/04	DOCUMENT NO. SD-53353-004						
		MATERIAL NO.		SHEET NO. 2 OF 2						
DRAFT WHERE APPLICABLE MUST REMAIN WITHIN DIMENSIONS		SEE CHART		THIS DRAWING CONTAINS INFORMATION THAT IS PROPRIETARY TO MOLEX INCORPORATED AND SHOULD NOT BE USED WITHOUT WRITTEN PERMISSION						