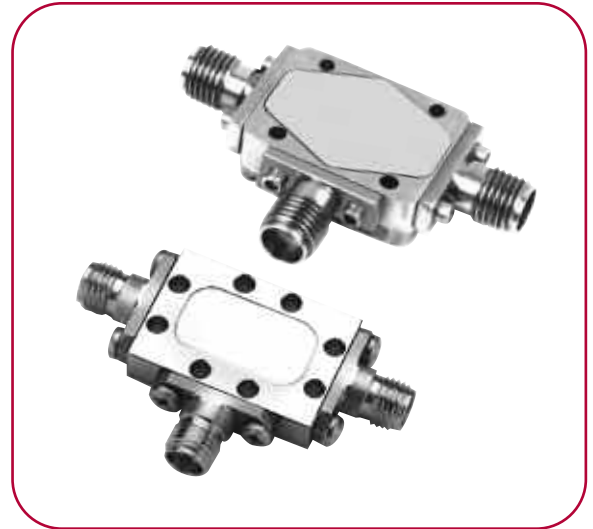


2 TO 8 GHz TRIPLE-BALANCED MIXER

MODELS: TB0208LW2 AND TB0208LA1

FEATURES

- RF/LO coverage..... 2 to 8 GHz
- IF operation..... 0.5 to 8 GHz
- LO power range..... +10 to +15 dBm
- Input 1 dB comp. +5 dBm typical
- Packaging Hermetically sealed



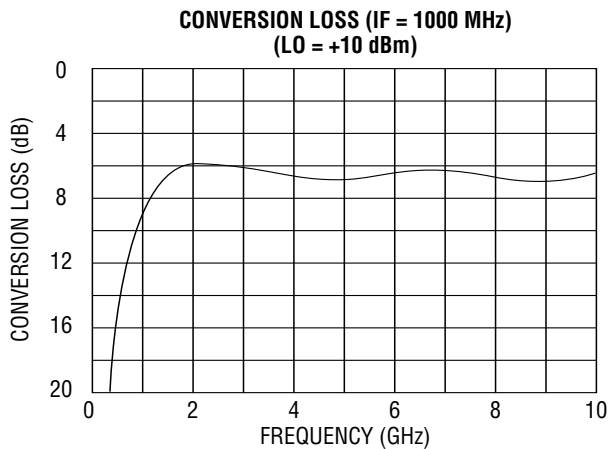
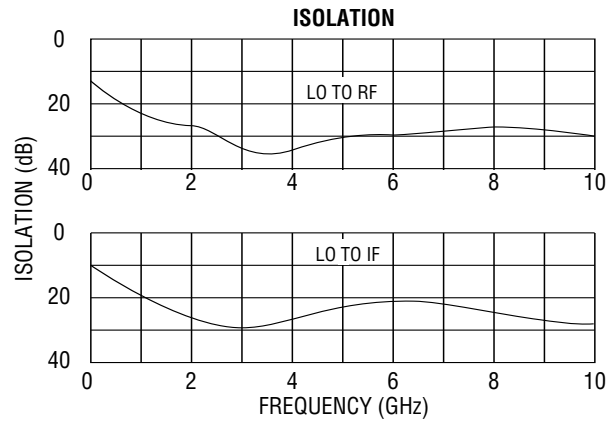
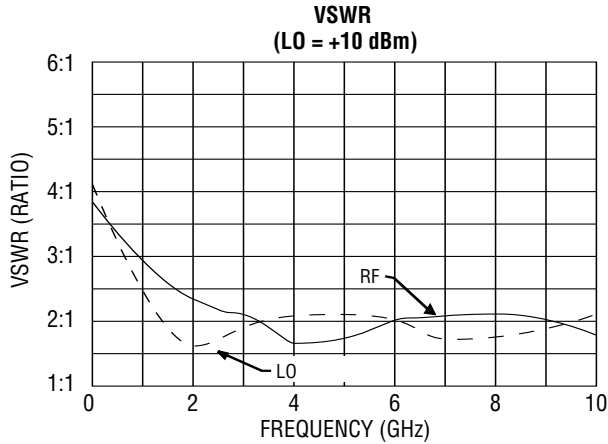
MITEQ's triple-balanced TB0208L mixer series utilizes a dual-quad circuit to provide performance in overlapping RF and IF frequency ranges. In addition to extremely broadband operation, custom-processed diodes allow for minimal variation in conversion loss, extremely high third-order intercept and 1 dB compression points versus input LO power range. Options for various drive level diodes provide numerous combinations of intercept point and LO level. This device performs as an up- or downconverter.

ELECTRICAL SPECIFICATIONS

INPUT PARAMETERS	CONDITION	UNITS	MIN.	TYP.	MAX.
RF frequency range		GHz	2		8
RF VSWR (RF = -10 dBm, LO = +10 dBm)	2 to 8 GHz	Ratio		2.5:1	
LO frequency range		GHz	2		8
LO power range		dBm	+10	+13	+15
LO VSWR (LO = +10 dBm)	2 to 8 GHz	Ratio		2.5:1	
TRANSFER CHARACTERISTICS	CONDITION	UNITS	MIN.	TYP.	MAX.
Conversion loss (IF = 1000 MHz, LO = +10 dBm)	2 to 8 GHz	dB		7	9
Single-sideband noise figure	2 to 8 GHz	dB			10
LO-to-RF isolation	2 to 8 GHz	dB	20	25	
LO-to-IF isolation	2 to 8 GHz	dB		20	
RF-to-IF isolation	2 to 8 GHz	dB		20	
Input power at 1 dB compression	LO = +13 dBm	dBm		+5	
Input two-tone third-order intercept point	LO = +13 dBm	dBm		+15	
OUTPUT PARAMETERS	CONDITION	UNITS	MIN.	TYP.	MAX.
IF frequency range	3 dB bandwidth	GHz	0.5		8
IF VSWR (IF = -10 dBm, LO = +10 dBm)		Ratio		2:1	



TB0208LW2/A1 TYPICAL TEST DATA



SINGLE-TONE (m) RF x (n) LO RELATIVE SPUR LEVEL (dBc)
(AVERAGE MIDBAND RF, LO, IF FREQUENCIES,
RF = -10 dBm, LO = +13 dBm)

SPUR (m) RF x (n) LO	RF TEST FREQ. (GHz)	LO TEST FREQ. (GHz)	SPUR LEVEL (dBc)
1 x 1	7	6	REF
1 x 2	7	3	26
1 x 3	7	2	12
2 x 1	3.5	6	46
2 x 2	3.5	3	52
2 x 3	3.5	2	46
3 x 1	2.33	6	58
3 x 2	2.33	3	63
3 x 3	2.33	2	59

MAXIMUM RATINGS

Specification temperature..... +25°C
 Operating temperature -54 to +85°C
 Storage temperature -65 to +125°C

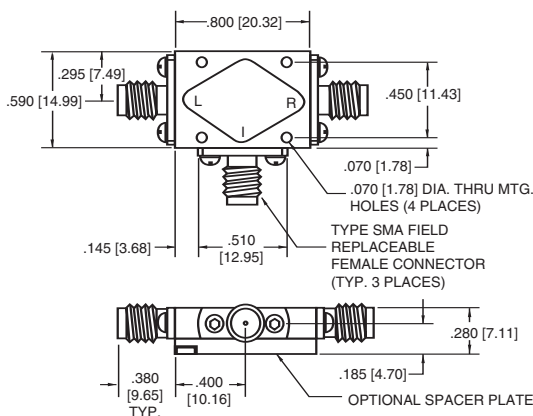
AVAILABLE OPTION

Medium/high dynamic range options
 M (LO = +15 to +20 dBm), (IP³ = +18 dBm typ.)
 H (LO = +20 to +23 dBm), (IP³ = +25 dBm typ.)
 M, H (Conversion loss = 10 dB max.)

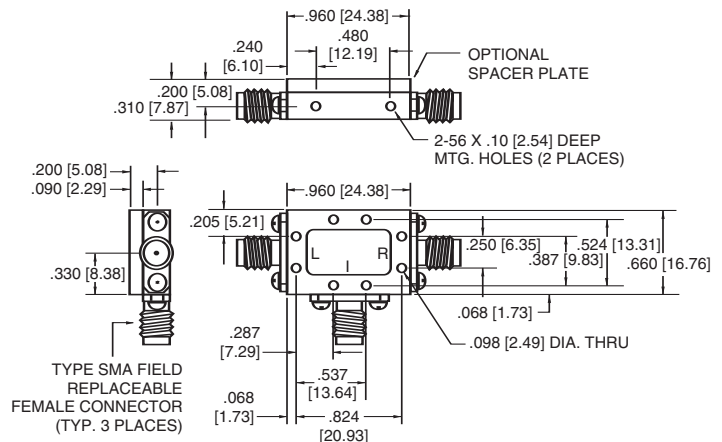
NOTE: Test data supplied at 25°C; conversion loss and LO-to-RF isolation.

OUTLINE DRAWINGS

W2 HOUSING



A1 HOUSING



NOTE: All dimensions shown in brackets [] are in millimeters.

