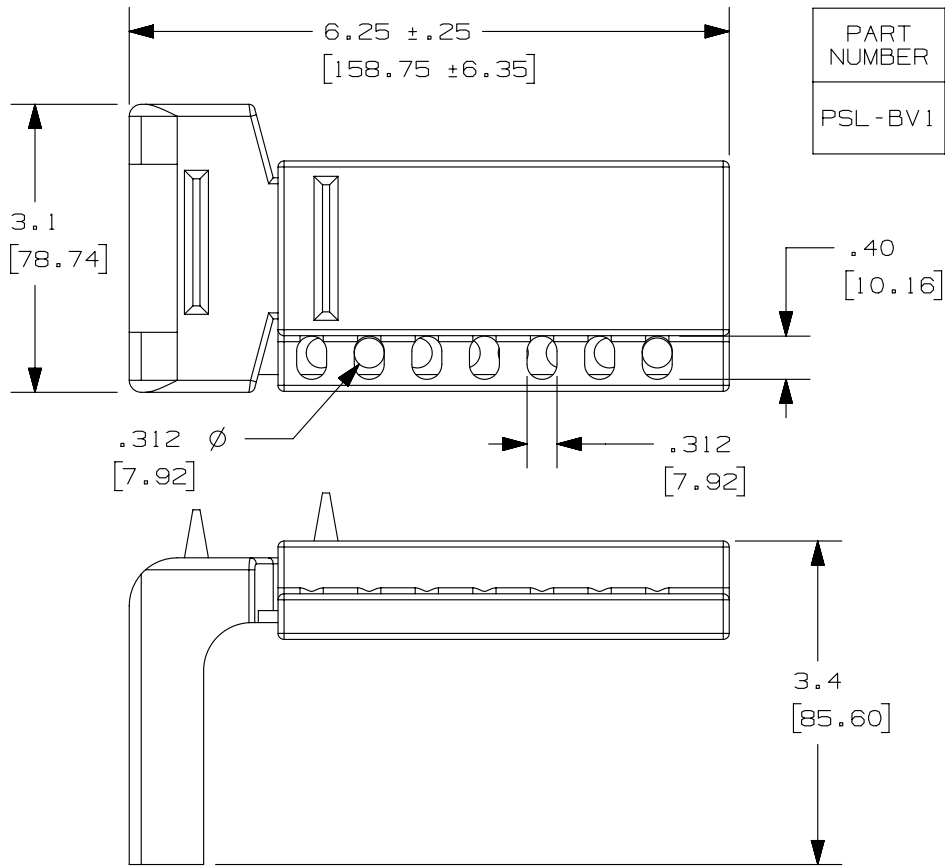


THIS COPY IS PROVIDED ON A RESTRICTED BASIS AND IS NOT TO BE USED IN ANY WAY DETRIMENTAL TO THE INTERESTS OF PANDUIT CORP.



PART NUMBER	VALVE SIZE in. [mm]	STANDARD PKG.	MAX. HANDLE LENGTH	MAX HANDLE WIDTH	OPERATING TEMPERATURE
PSL-BV1	3/8" - 1 1/4" [9.525 - 31.75]	1	7.5" [190.5]	1.0" [25.4]	-40° F (-40° C) TO 215° F (101° C)



NOTES:
1. MILLIMETERS
SHOWN IN ().

REV	DATE	BY	CHK	APR	DESCRIPTION	ECN
4	2/3/15	RVU	SEWH	JHAC	CHANGE TEMPERATURE FROM 120°C TO 101°C.	GAECN02567
3	3/5/14	JHAC			UPDATED DIMENSIONS TO MATCH CURRENT BUYOUT PRODUCT. ADDED TOLERANCES	GAECN01795
2	12/13/10	JHAC			ADDED OPERATING TEMPERATURES AND MAX HANDLE WIDTH	6256
1	2/6/08	RVU			.312 [7.92] DIA. WAS .285 [7.24]. .312 [7.92] WAS .30 [7.62]. 3.1 [78.74] WAS 3.00 [76.20]. 3.25 [82.55] WAS 3.50 [88.90]. CHANGED TABLE, VALVE SIZE. REMOVED P/N: PSL-BV2.	5282
0	1/24/06	RVU	DWY		ADDED PANTONE COLOR #.	4335
R	9/12/03	RVU	DWY		DRAWING RELEASE.	3399

TITLE		PSL-BV1 BALL VALVE LOCKOUT		
ITEM REVISION NAME		CUSTOMER DRAWING		
DATASET FILE NAME		100619XK/02		
ITEM REVISION NAME		100619XK_DC_C10096/02F		
UNLESS OTHERWISE SPECIFIED, DIMENSIONAL TOLERANCES ARE: IN [mm]		PANDUIT MATERIAL: RED POLYPROPYLENE PANTONE PMS 186 DRAWING NUMBER: C10096		
.x ± 0.25 [6.35] .xxx ± 0.05 [1.27] .xx ± 0.1 [2.54] ANGLES ±				
THIRD ANGLE PROJECTION		DRAWN BY: RVU DATE: 9/12/03 CHK: JHAC SCALE: NTS SHT 1 OF 1 SIZE: A		