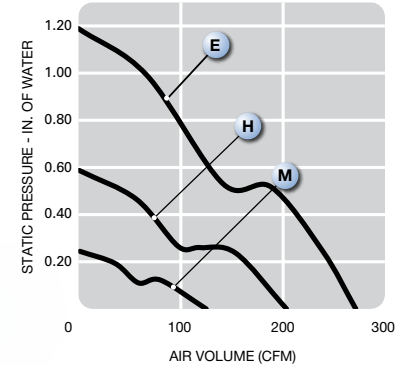
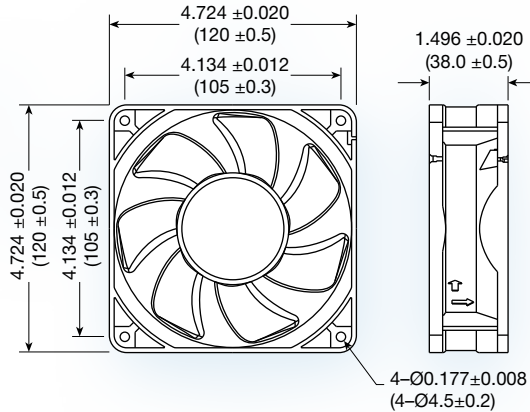


# MS1238-H series



**(120 x 120 x 38 mm)**

4.72 x 4.72 x 1.52 inches

**Features:** soft start, polarity protection, auto-restart

**Operating Voltage:** 12, 24 and 48 VDC

**Construction:** UL94V-0 plastic impeller and plastic frame

**Bearing option:** ball bearing and sleeve

**Air Flow:** air exhaust over struts

**Options:**

- tachometer;
- locked rotor alarm signal;
- PWM speed control;
- conformal coating;
- encapsulated motor (IP68)



Model No.	Rated Voltage VDC	Current A			Speed RPM	Air Volume		Max. Static Pressure (H <sub>2</sub> O)		Sound Noise dbA	Weight g
		12	24	48		M <sup>3</sup> /Min.	CFM	MM	INCH		
<b>MS1238M-H</b>	12/24/48	0.72	0.24	0.18	2,500	3.60	127.4	5.90	0.23	42	301
<b>MS1238H-H</b>	12/24/48	2.1	1.02	0.45	4,000	5.71	201.7	14.88	0.59	55	301
<b>MS1238E-H</b>	12/24/48	3.60	1.70	1.0	5,000	7.68	271.0	30.26	1.19	68	301

\*Additional performance levels available, contact Mechatronics for more options