

CKG57NX5R1C107M500JH

TDK item description : CKG57NX5R1C107MT***

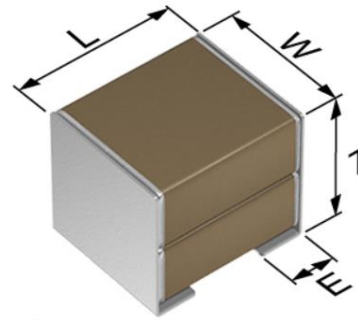


Application & Main Feature

Commercial grade (MEGACAP)

Series

CKG57N(5750) [EIA 2220]



Dimensions

L 6.00±0.50 mm
W 5.00±0.50 mm
T 5.00±0.50 mm
E 1.60±0.30 mm

Temperature Characteristic

X5R (-55 to +85 degC, ±15%)

Rated Voltage

1C (16Vdc)

Capacitance

100µF

Capacitance Tolerance

M (±20%)

DF

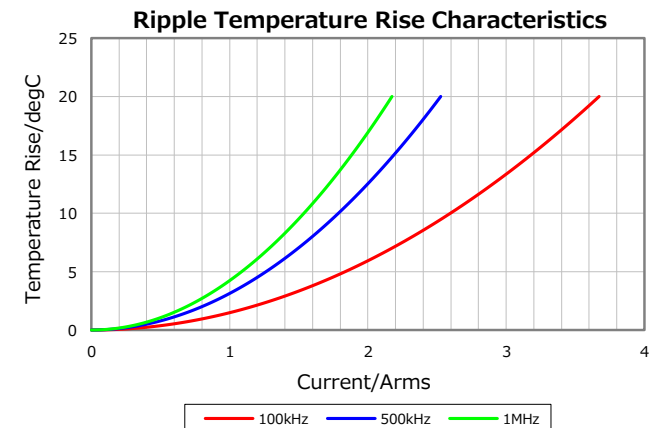
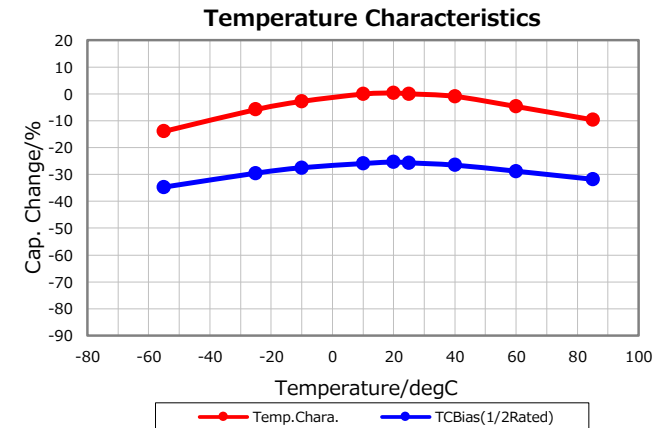
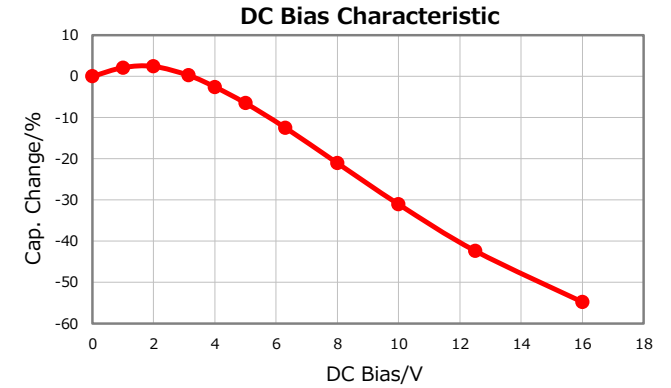
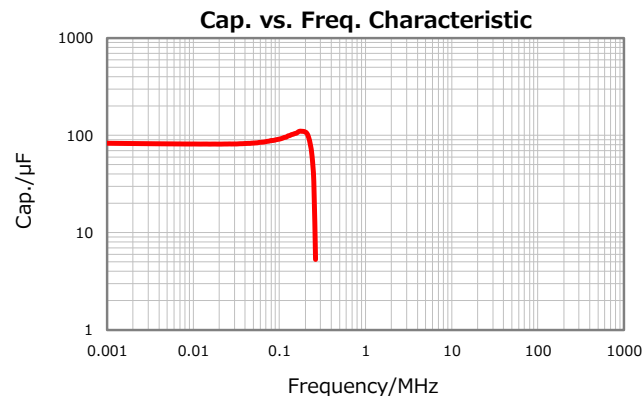
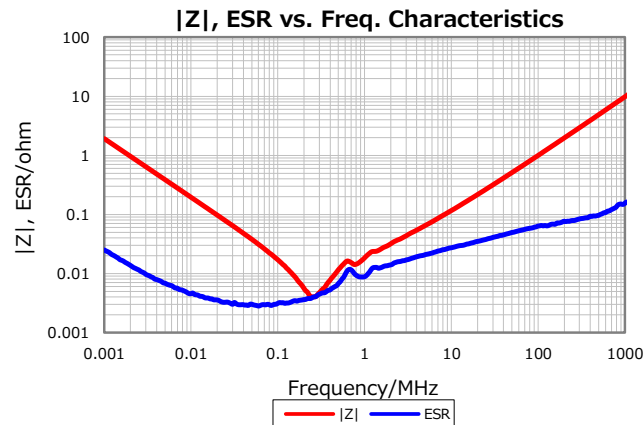
7.5 % max.

Insulation Resistance

1 Mohm min.

AEC-Q200

Not Applicable



Characterization Sheet (Multilayer Ceramic Chip Capacitors)



⚠ All specifications are subject to change without notice.

March 20, 2022