

NOTES:

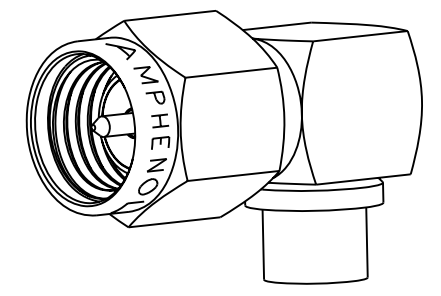
1. MATERIALS AND FINISHES:
 COUPLING NUT - STAINLESS STEEL, PASSIVATED
 CAP - STAINLESS STEEL, GOLD PLATING
 CONTACT - BeCu, GOLD PLATING
 INSULATOR - PTFE, NATURAL
 GASKET - SILICONE RUBBER, RED
 BODY - STAINLESS STEEL, GOLD PLATING (FOR ARFA)
 - STAINLESS STEEL, PASSIVATED (FOR RF)
 RETAINING RING - SUS 304, NATURAL (FOR ARFA)
 - BeCu, WAX DIP (FOR RF)
2. ELECTRICAL:
 A. IMPEDANCE: 50 OHM
 B. FREQUENCY RANGE: 0-18 GHz
 C. DIELECTRIC WITHSTANDING VOLTAGE: 1500 VRMS. MIN
3. MECHANICAL:
 A. DURABILITY: 500 CYCLES MIN
 B. TEMPERATURE RANGE: -65°C TO +165°C
4. PACKAGING:
 A. QUANTITY: SINGLE PACK
 B. MARKING: BAG TO BE MARKED
 "AMPHENOL RF, 901-9221-1ASF, DATE CODE"
5. CABLE ASSEMBLY INSTRUCTIONS:
 A. SEE AMPHENOL SPEC. 349-50180. SHEET 19.

6. SHOWS CABLE ENTRY DIMENSIONS.

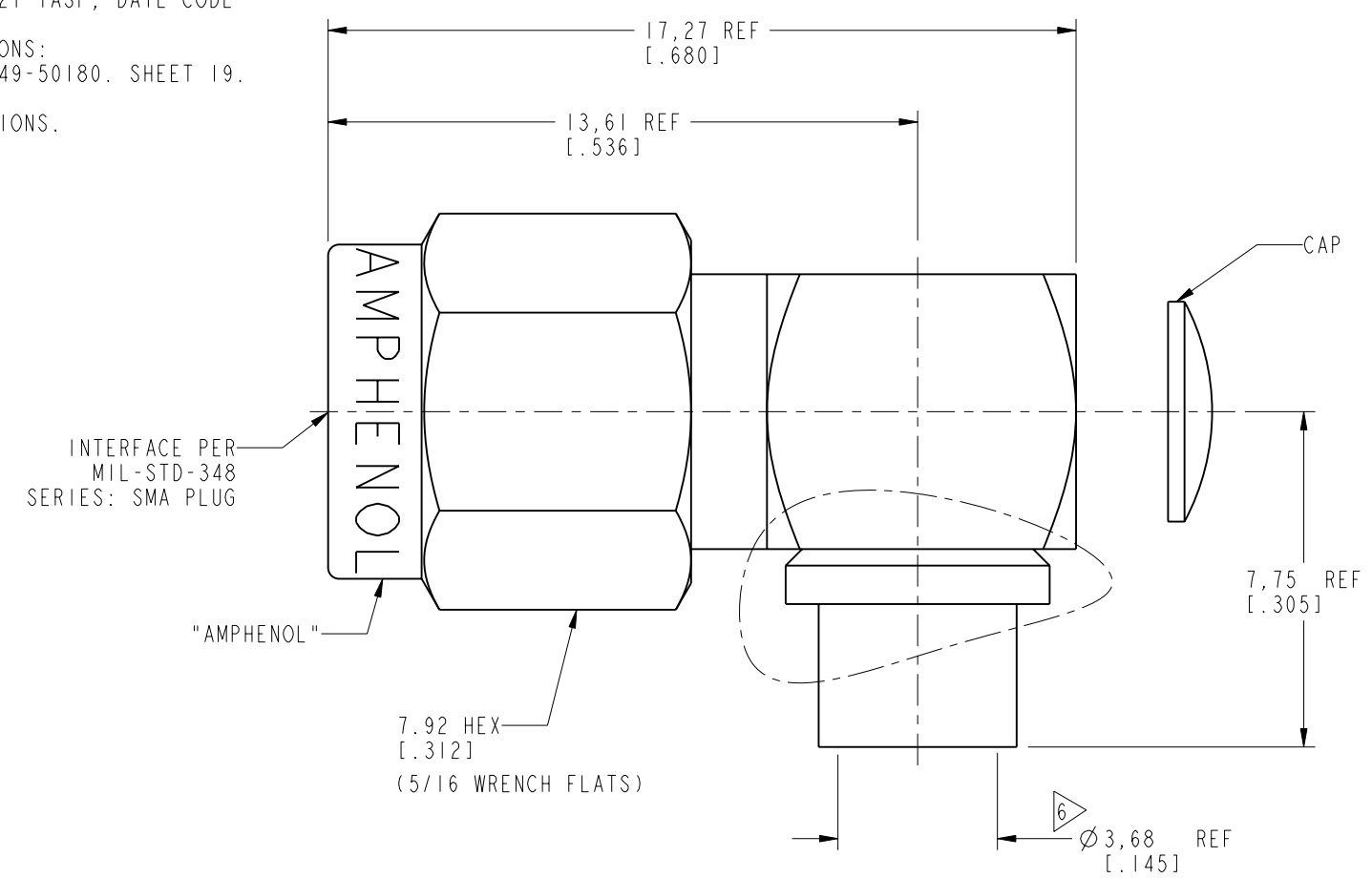
THIRD ANGLE PROJ.

REVISIONS

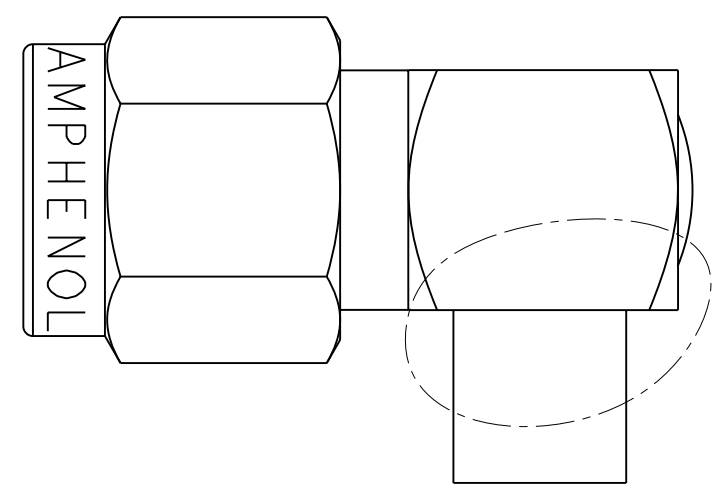
REV	DESCRIPTION	DATE	ECN	APPR
A	RELEASE TO MFG.	16-Nov-76	24870	SP
J	SYNCH THE DRAWING WITH DANBURY	04-Jun-12	48810	SH
K	NOTES UPDATED	25-Apr-18	07883	SK



SCALE 3.000



NORTH AMERICA ASSEMBLY DRAWING



ARFA ASSEMBLY DRAWING

THE DIFFERENCE IS SHOWN IN THE CIRCLE

CUSTOMER OUTLINE DRAWING
 ALL OTHER SHEETS ARE FOR INTERNAL USE ONLY

UNLESS OTHERWISE SPECIFIED, DIMENSIONS ARE IN METRIC AND TOLERANCES ARE:
<0.5mm ±0.05mm 0.5 - 6mm ±0.1mm 6 - 30mm ±0.2mm 30 - 120mm ±0.3mm ANGLES ±1°

NOTICE - These drawings, specifications, or other data (1) are, and remain the property of Amphenol corp. (2) must be returned upon request; and (3) are confidential and not to be disclosed to any person other than those to whom they are given by Amphenol Corp. the furnishing of these drawings, specifications, or other data by Amphenol Corp., or to any other person to anyone for any purpose is not to be regarded by implication or otherwise in any manner licensing, granting rights to permitting such holder or any other person to manufacture, use or sell any product, process or design, patented or otherwise, that may in any way be related to or disclosed by said drawings, specifications, or other data.

MATERIAL	SEE NOTES	DRAWN	W. ZENG	DATE	27-Apr-18
REFERENCE		ENGINEER	P. BRENZEL	DATE	23-Aug-00
EAR#		APPROVED	S. HSIEH	DATE	27-Apr-18
REF: DOR 42-901-315350 & GEN# ASSYM24-SMA		CAD FILE			
CONFIGURATION LEVEL: In Work					
FINISH					

TITLE	SMA R/A PLUG FOR 0.141 SEMI-RIGID CABLE
SCALE: 10.0:1.0	SHEET 2 OF 2
DWG SIZE	B
REV	K

Amphenol RF	
www.amphenolrf.com	
DRAWING NO.	901-9221-1ASF
ITEM NO.	901-9221-1ASF
PART NO.	901-9221-1ASF