



LAYOUT SHOWN AS EXAMPLE

Keying Shown as example

**CHARACTERISTICS**

- Standard : Based on MIL-DTL-38999 Series III
- Shell Material : Aluminium
- Shell Plating : Black Zinc Nickel
- Insulator : Thermoplastic
- Contacts : Copper Alloy
- Seals & Grommet : Silicon Elastomer
- Contact Plating : Gold over copper Alloy 0.8µm minimum
- Durability : 500 Mating cycles
- Delivered with Souriau contacts and Accessories
- Temperature Range : -65°C to +175°C
- Salt Spray : 500 hours

Connector dimension	
Dim	Nominal
A	55.6±0.3
B	39.67+0.1/-0.15
R	32.5Max
S	52.4±0.4
W	3+0.9/-0.1
VV THREAD	M34x1-6g

SOURIAU shall not be liable for any non-conformity or damage due to a use of the Products which does not comply with the Specifications issued by either of the Parties or by a third party (professional recommendation, technical notice.)

Country	Jurisdiction & Control List
FR	Not Listed

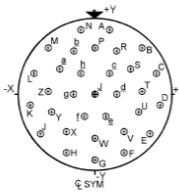
**PN: 8D723Z32SA**

A	01-10-2016	First Release	
ISS	DATE	Latest modification - by	MOD N°
Designed By:		Date:	<b>CUSTOMER DRAWING</b>

BASIC SERIES:	8D	7	-	23	Z	32	S	A
SHELL TYPE :	Jam nut Receptacle							
CONTACT TYPE :	Standard Crimp Contact							
SHELL SIZE :	23							
PLATING :	Z = Black Zinc Nickel							
								ORIENTATION : A
								CONTACT TYPE : SOCKET(500 Matings)
								CONTACT LAYOUT : 23-32

<b>TITLE</b>	Aluminium Receptacle 8D series		
SCALE	NA	General linear Tolerances: ±--	NPRDS / PROJECT <b>859</b>
<b>SOURIAU</b>	<b>WWW.SOURIAU.COM</b>		This document is the property of SOURIAU it must not be reproduced or communicated without permission
FORMAT	<b>A3</b>		SOURIAU DRG N° <b>8D723Z32SA-C</b>
			SHEET 1/2

Contact Layout

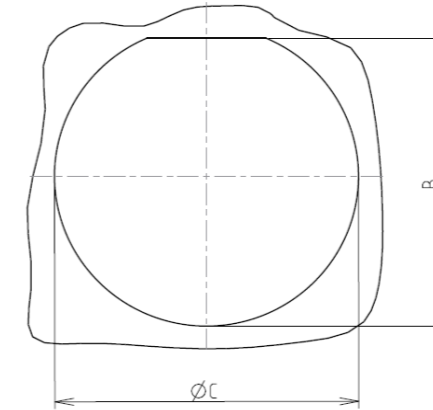


Contacts (Insert arrangement 23-32)					
Contact position ID	Location		Contact position ID	Location	
	X-axis (mm)	Y-axis (mm)		X-axis (mm)	Y-axis (mm)
A	+100 (2.54)	+450 (11.43)	T	+325 (8.26)	+025 (0.64)
B	+325 (8.26)	+325 (8.26)	U	+300 (7.62)	-125 (3.18)
C	+425 (10.80)	+150 (3.81)	V	+200 (5.08)	-250 (6.35)
D	+450 (11.43)	-075 (1.91)	W	+000 (0.00)	-300 (7.62)
E	-375 (9.53)	-275 (6.99)	X	-200 (5.08)	-260 (6.35)
F	+200 (5.08)	-400 (10.16)	Y	-300 (7.62)	-125 (3.18)
G	+000 (0.00)	-450 (11.43)	Z	-325 (8.26)	+025 (0.64)
H	-200 (5.08)	-400 (10.16)	a	-250 (6.35)	+175 (4.45)
J	-375 (9.53)	-275 (6.99)	b	-150 (3.81)	+300 (7.62)
K	-450 (11.43)	-075 (1.91)	c	+100 (2.54)	+150 (3.81)
L	-425 (10.80)	+150 (3.81)	d	+150 (3.81)	+000 (0.00)
M	-325 (8.26)	+325 (8.26)	e	+075 (1.91)	-150 (3.81)
N	-100 (2.54)	+450 (11.43)	f	-075 (1.91)	-150 (3.81)
P	+000 (0.00)	+325 (8.26)	g	-150 (3.81)	+000 (0.00)
R	+150 (3.81)	+300 (7.62)	h	-100 (2.54)	+150 (3.81)
S	+250 (6.35)	+175 (4.45)	j	+000 (0.00)	+000 (0.00)

Shell size	Arrangement no.	Number of contacts	Size contacts	Service rating	Contact location	Supersedes
23	-32	32	20	I	All	MS20056-32

Panel cutout

JAM NUT RECEPTACLE (TYPE 7)



Dim	Nominal
B	40.26+0/-0.25
ØC	41.53+0.25/-0

SOURIAU shall not be liable for any non-conformity or damage due to a use of the Products which does not comply with the Specifications issued by either of the Parties or by a third party (professional recommendation, technical notice.)

Country	Jurisdiction & Control List
FR	Not Listed

PN: 8D723Z32SA

A	01-10-2016	First Release	
ISS	DATE	Latest modification - by	MOD N°
Designed By:		Date:	<b>CUSTOMER DRAWING</b>
<b>TITLE</b>	Aluminium Receptacle 8D series		
SCALE		General linear Tolerances:	NPRDS / PROJECT
NA		±--	<b>859</b>
<b>SOURIAU</b>	<b>WWW.SOURIAU.COM</b>		This document is the property of SOURIAU it must not be reproduced or communicated without permission
FORMAT	<b>SOURIAU DRG N° 8D723Z32SA-C</b>		SHEET 2/2