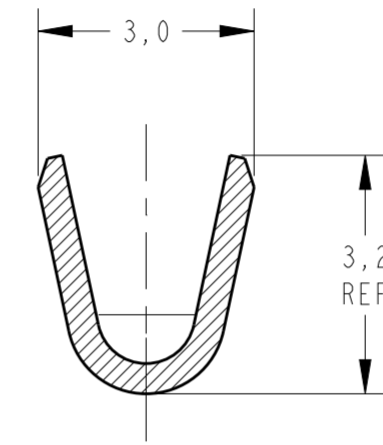
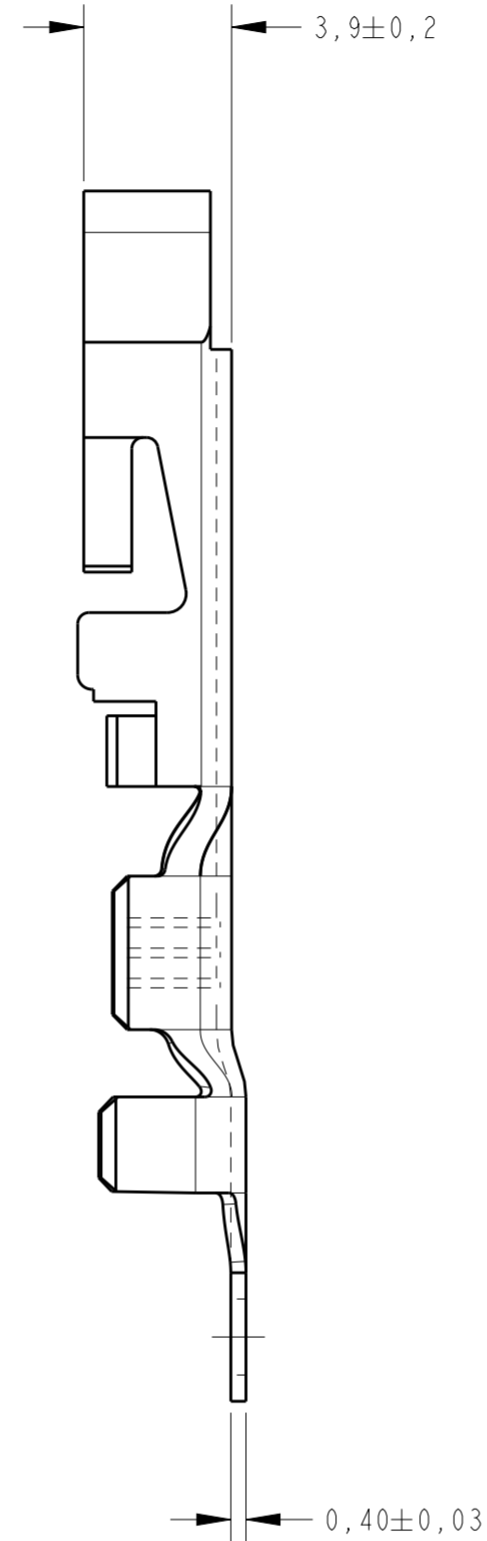
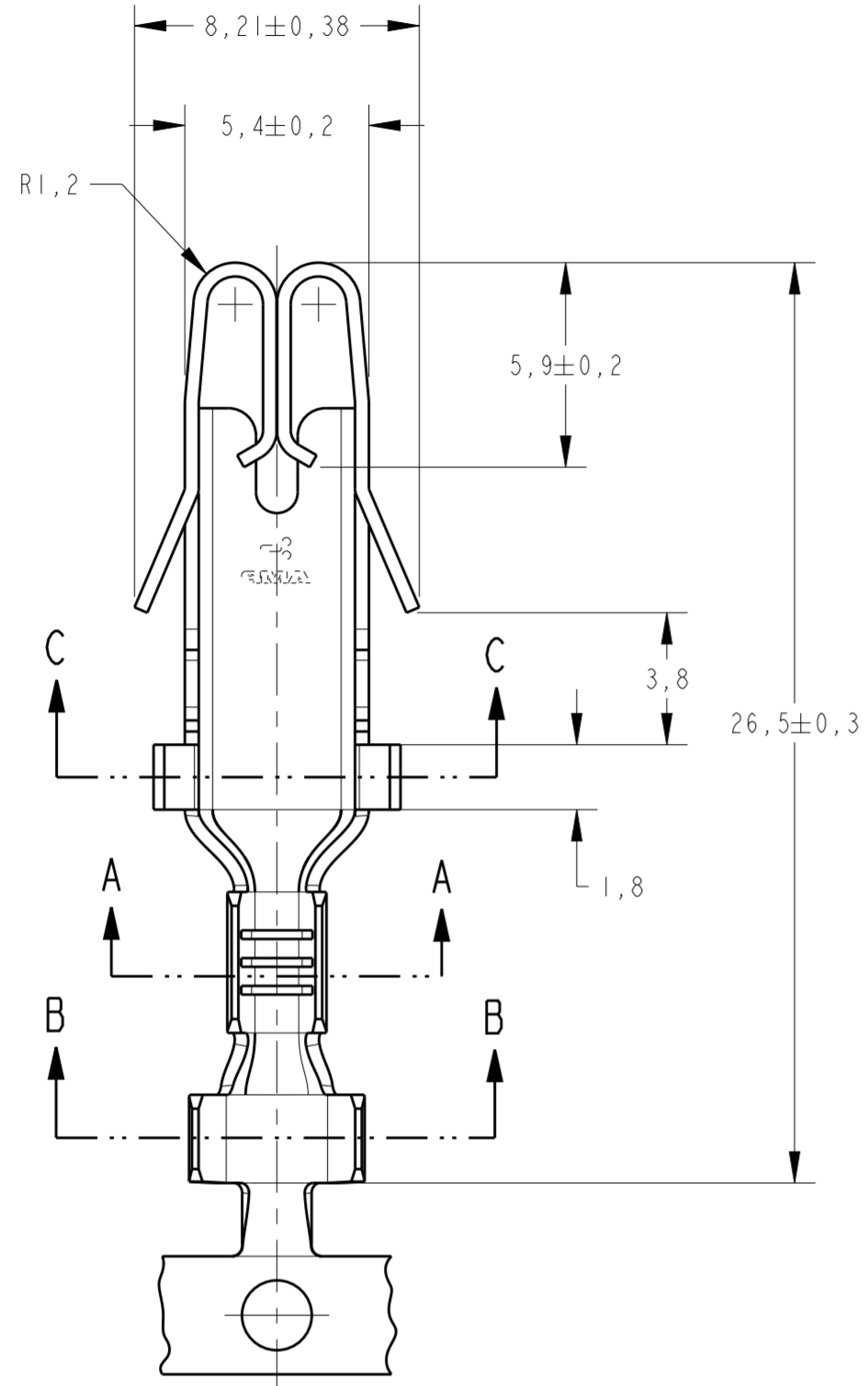


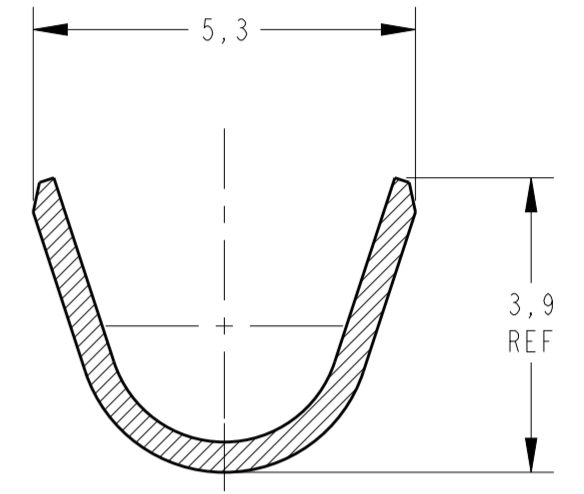
THIS DRAWING IS UNPUBLISHED. RELEASED FOR PUBLICATION 20
 © COPYRIGHT 20 BY - ALL RIGHTS RESERVED.

creo
 Creo Parametric 2.0
**DO NOT REVISE
 EXCEPT BY CAD**

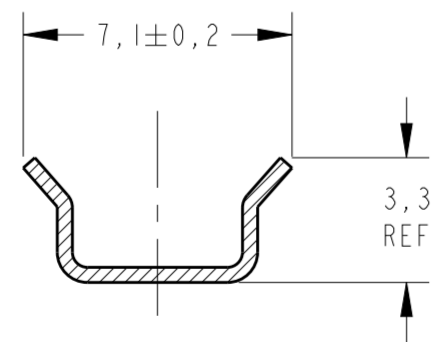
REVISIONS					
P	LTR	DESCRIPTION	DATE	DWN	APVD
	M	REDRAW BY CAD ECO-14-013531	05SEP2014	NCL	LWP



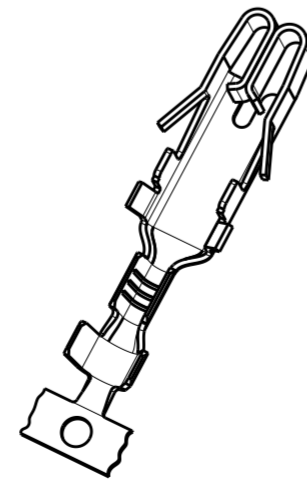
SECTION A-A
 SCALE 10:1



SECTION B-B
 SCALE 10:1



SECTION C-C



PERSPECTIVE VIEW
 SCALE 2:1

WIRE RANGE
 0,5-1,5mm²
 INSUL. RANGE
 Ø2,0-3,0mm

OBSOLETE

PRE-ESTANHADO / PRE TINNED	LATÃO / BRASS	880397-2
	LATÃO / BRASS	880397-1
FINISH	MATERIAL	PART NUMBER

THIS DRAWING IS A CONTROLLED DOCUMENT.

DIMENSIONS: mm	TOLERANCES UNLESS OTHERWISE SPECIFIED:
	0 PLC ± 1 PLC ±0,5 2 PLC ± 3 PLC ± 4 PLC ± ANGLES ±° FINISH
MATERIAL SEE TABLE	SEE TABLE

DWN NCLAPRESA 08SEP2014	CHK ECHRISTIANO 08SEP2014	APVD LWPRADO 08SEP2014
PRODUCT SPEC	APPLICATION SPEC	WEIGHT
Customer Drawing		

STE TE Connectivity			
NAME - FUSE CONTACT			
SIZE A2	CAGE CODE 00779	DRAWING NO C-880397	RESTRICTED TO -
SCALE 2:1	SHEET 5:1	OF 1	REV M