

**Style**  
 M12 Plug, shielded  
 4 pin  
 A-coding

**Ratings**  
 Voltage: 250 V  
 Current: 4 A

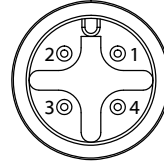
**Operating Temperature Range**  
 -40~105 °C

- Materials**
- ① Insulator: Polyamide 66 (PA66), UL94 HB, black
  - ② Pin: C3604 brass, gold plated
  - ③ Shell: C3604 brass, nickel plated
  - ④ Nut: C3604 brass, nickel plated
  - ⑤ O-ring: Nitrile rubber, black

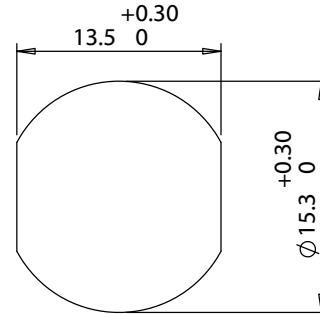
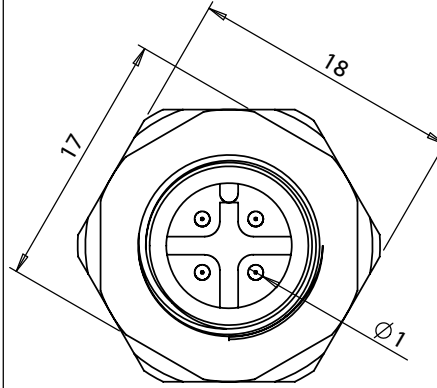
**Electrical Requirements**  
 Dielectric strength: 1 min @ 500 Vac  
 Insulation resistance: 100 MΩ @ 500 Vdc  
 Contact resistance: 10 mΩ or less

**Mechanical Requirements**  
 Life cycle: 500 mating cycles minimum

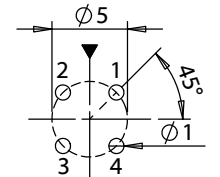
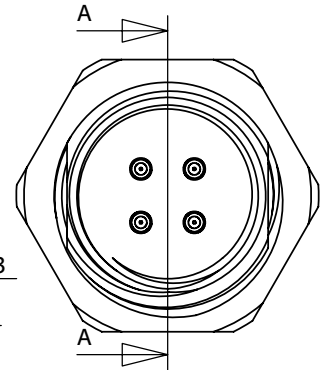
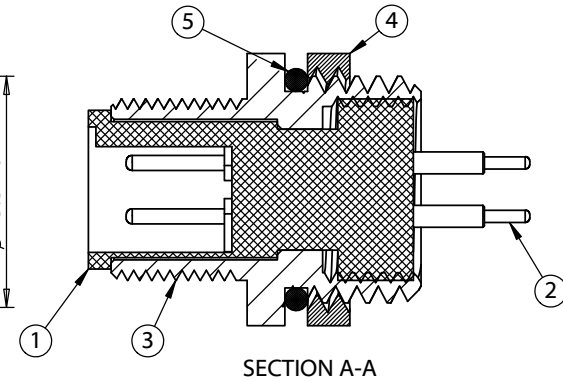
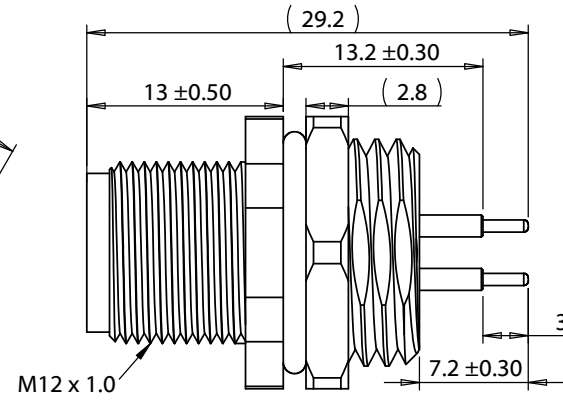
**Environmental Requirements**  
 Salt spray test: 35 °C, relative humidity 90-95%, 5% NaCl mist for 48 hrs. Wash parts after test. Maintain mechanical requirements and a contact resistance of less than 10 mΩ.  
 Waterproof: IP67




Front View  
 Not to Scale



Panel cutout (PG9)  
 Panel thickness (4.5mm max.)



PCB Layout

Revision:	Date:	Description:	Prepared:	Notes:	<h1>TENSILITY</h1> <p>tel 1.541.323.3228 800 877.670.7118          fax 1.541.323.4202 web tensility.com</p>
A	10/6/2020	Initial release	Verified:	RoHS compliant	
			Dimensions are in millimeters.	Function test: no open, no short circuit, no intermittent	
			Tolerances: X: ± 0.3 mm X.X: ± 0.1 mm X.XX: ± 0.05 mm	Description: Connector, 4 pin M12 A-code plug, 12xL29.2mm, gold plated, panel mount, PCB, IP67	
			Scale: 2:1		Part number: <b>54-00209</b>
					 Sheet 1 of 1