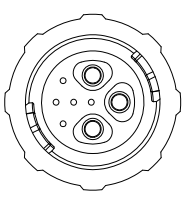
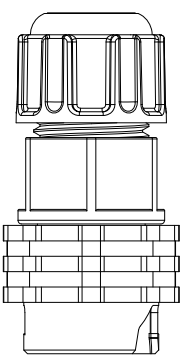
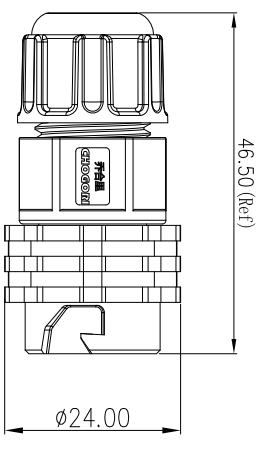
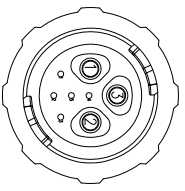


REV.	EN. NO.	DESCRIPTION	SIGN	DATE
C1	N/A	INITIAL DRAWING	Hary	2020/05/14



23XXX431-XX Cable Range OD
 01 OD: $\phi 3.5\text{mm} \sim \phi 6.5\text{mm}$
 02 OD: $\phi 6.5\text{mm} \sim \phi 9.5\text{mm}$

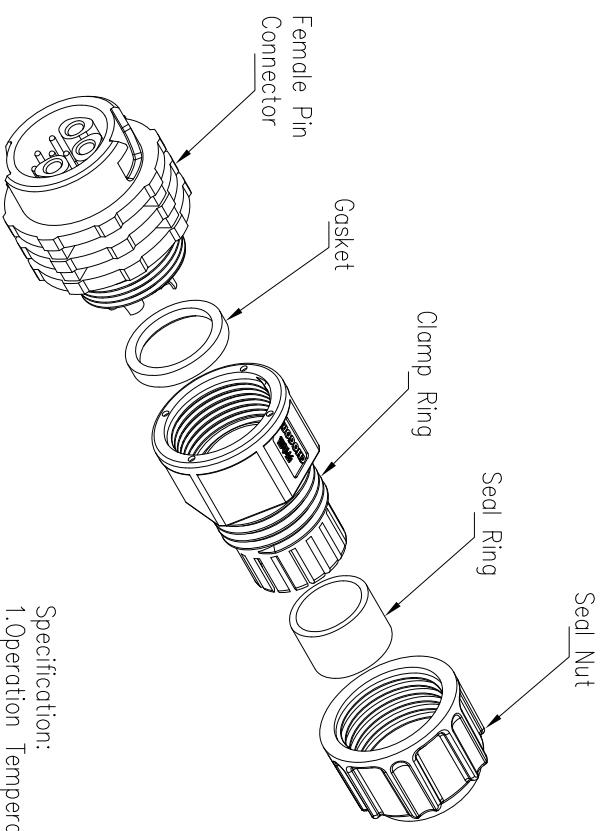
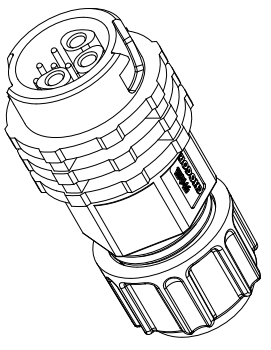
Pin Number



(3+5) Pin

P/N: 23305431-XX

Pin Assignments
 Front View



Specification:

1. Operation Temperature: $-45^{\circ}\text{C} \sim 105^{\circ}\text{C}$.
2. Insulation Resistance: $100\text{M}\Omega$ at DC500V.
3. Contact Resistance: $<10\text{m}\Omega$.
4. Withstand Voltage: 2000V AC
5. Operating Current: 15A/2A
6. Operating Voltage: AC 125V/30V
7. Waterproof Rate: IP67 (Mated)
8. Seal Nut: Nylon, Black
9. Seal Ring: Silicon, Black.
10. Clamp Ring: Nylon, Black
11. Gasket: Silicon, Red
12. Female Pin: Copper Alloy, Gold Plated
13. Connector: Nylon+GF, Black
14. RoHS Compliant.
15. UL Compliant.
16. Mating Cap: 806-00076-00

DESCRIPTION

Middle Series Push Lock
 Female Plug With Female Pin

TOLERANCE	X	± 0.25
	.XX	± 0.15
	.XXX	± 0.05
ANGLES		$\pm 1^{\circ}$

PART NO 23305431-XX

DRAWN BY Hary

DATE 2020/05/14

DWG NO

CHECKED BY Mo

DATE 2020/05/14

CUSTOMER

APPROVED BY Panson

DATE 2020/05/14

CHOGORI