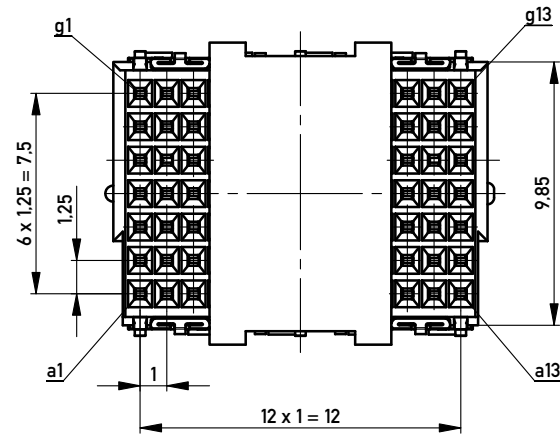
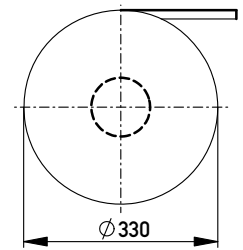
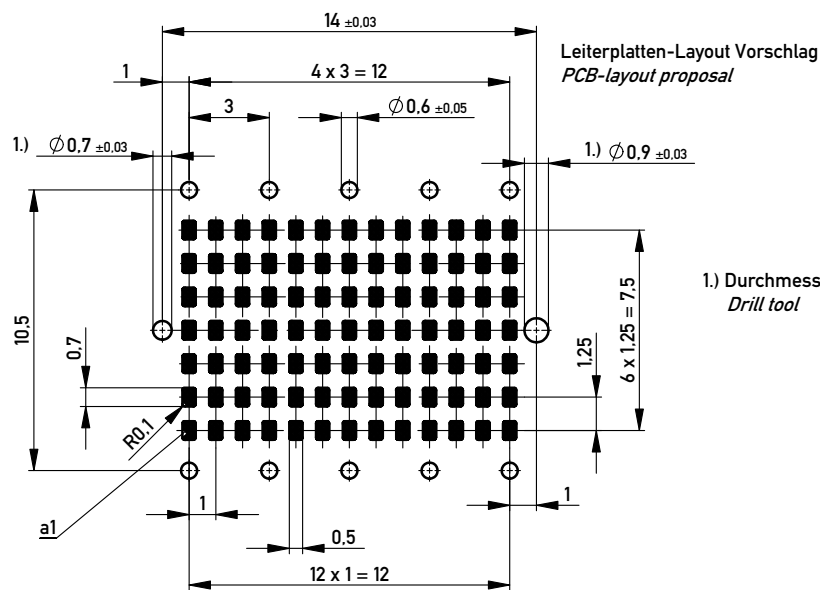
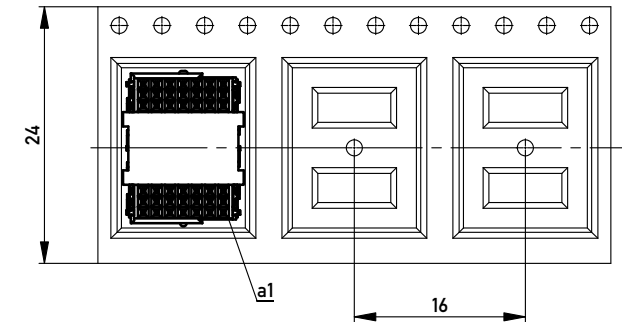


Verpackt in Gurtverpackung  
Tape on Reel Packaging  
Verpackungseinheit: 440 Stück  
Packaging unit: 440 pcs



Abspulrichtung - Reel off Direction



Anforderungsstufe 1  
Performance Level 1

Kontaktbereich vergoldet  
Mating Area gold plating

Anschlussbereich verzinnt 4-6 µm  
Terminal Area 4-6 µm tin plating

Koplanarität der Anschlüsse ≤ 0,1 mm  
Coplanarity Area of Termination ≤ 0,1 mm

Copyright by ERNI GmbH  
Proprietary notice pursuant to ISO 9006 to be observed.

|  |            |                      |  |  |     |
|--|------------|----------------------|--|--|-----|
| Information:   |            | Tolerances           |  | Scale  | 5:1 |
| All rights reserved.<br>Only for Information.<br>To ensure that this is the latest version of this drawing, please contact one of the ERNI companies before using. |            | All Dimensions in mm |  | Designation  |     |
| Subject to modification without prior notice.<br>Drawing will not be updated.  |            |                      |  | <b>Federleiste THR, 91-pol</b><br><b>Female Con. THR, 91 cont.</b> |     |
| f  | 18.02.2013 | www.ERNI.com         |  | 234097   |     |
| Index  | Date       |                      |  | I<br>A3  |     |
| Class  |            |                      |  | MSPEED   |     |