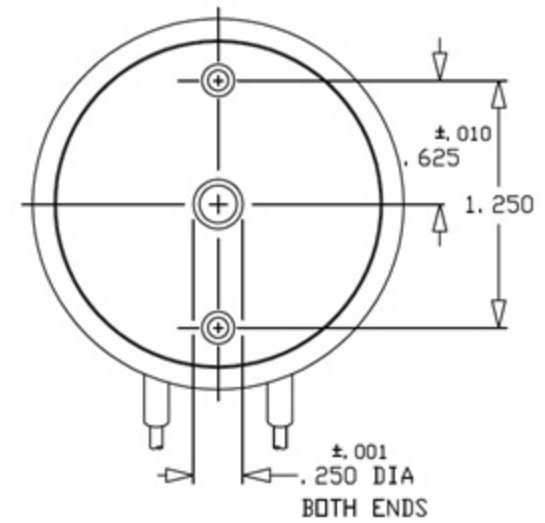
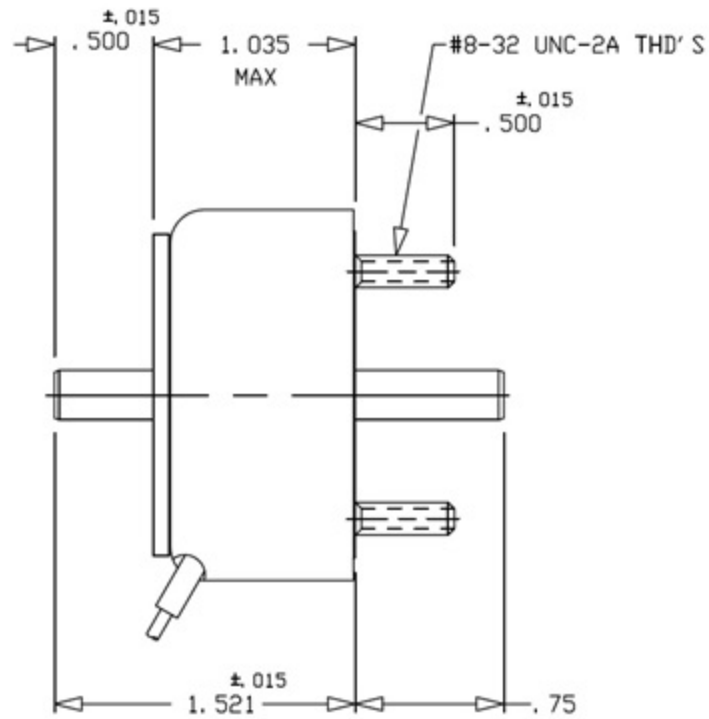


SHOWN ENERGIZED



UNLESS OTHERWISE SPECIFIED ALL DIMENSIONS IN: <input checked="" type="checkbox"/> INCHES <input type="checkbox"/> METRIC (mm) <input type="checkbox"/> mm/INCHES METRIC DECIMAL X.X ± 0.5 mm .XX ± 0.10 IN X.XX ± 0.13 mm .XXX ± 0.05 IN ANGLES: ± ES-612 & ES-613 APPLIES THRO ANGLE PROJECTION		TITLE SOLENOID - LOW PROFILE	
CODE IDENT 81840		DRWG. NO.: 129415-XXX	
Saia Burgess LLC 801 Scholtz Dr. Vandalia, OH 45377		A	SCALE: NONE SHEET 1 OF 1