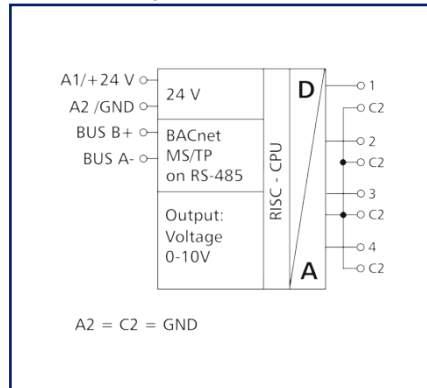


Data sheet BMT-AO4 BACnet MS/TP

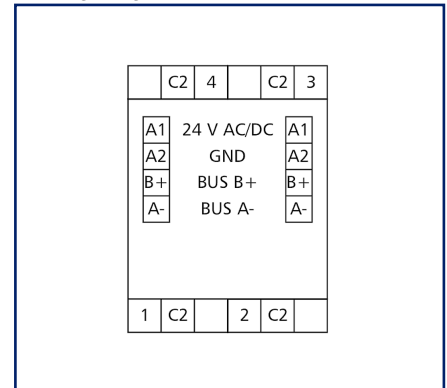
Illustrations



Principle diagram



Wiring diagram



See enlarged drawings at the end of document

Product specification

The BACnet MS/TP module with 4 analog outputs was developed for decentralized switching tasks. It is suitable as encoder for control variables, for example for electrical vent and mixing valves, valve positions, etc. The outputs can be output by means of standard objects via a BACnet client. The module is addressed and the baud rate is set by means of two address switches on the front. Suitable for decentralized mounting on DIN TH35 rail according to IEC 60715 in electrical distribution cabinets.

- Connection with screw type terminal blocks

Technical Data

Approvals



Open Energy Management Equipment 34TZ



BACnet is a registered trademark of ASHRAE. ASHRAE does not endorse, approve or test products for compliance with ASHRAE standards. Compliance of listed products to the requirements of ASHRAE Standard 135 is the responsibility of BACnet International (BI). BTL is a registered trademark of BI.

RS485 interface

Protocol	BACnet MS/TP
Address range	00 - F9
Bus interface	RS485 two wire bus with potential equalization in bus or line topology, terminate with 120 Ohm
Transmission parameters	
Transmission rate	min. 9600 Bit/s (Bd) - max. 115200 Bit/s (Bd)
Transmission rate default setting	9600 Bit/s (Bd)
Parity	None
Stopbits	1

Supply

Operating voltage	24 V AC/DC +/- 10 % (SELV)
Power consumption	
Power consumption AC (max.)	50 mA
Power consumption DC (max.)	20 mA
Duty cycle relative	100 %

Outputs

Analog outputs	4
Voltage range	
Resolution voltage output	0 V - 10 V DC
Resolution voltage output	0.3125 mV / digit
Continuous current voltage output	5 mA at 10 V DC

Technical Data

Housing	
Dimensions	
Dimension (W x H x D)	35 mm x 69.3 mm x 60 mm
Dimension (W x H x D)	1.378 in. x 2.728 in. x 2.362 in.
Weight	72 g
Mounting style	Standard rail TH35
Mounting position	any
Apposition	The maximum quantity of BACnet modules connected side-by-side is limited to 15 or to a maximum power consumption of 2 Amps (AC or DC) per connection to the power supply. For any similar block of additional modules a separate connection to the power supply is necessary., without distance
Connection type	Screw type terminal blocks
Indicator	green and red LED
Terminal blocks	
Supply and bus	
Terminal block	4-pole
Solid wire (AWG)	max. 1.5 mm ² / max. 16 AWG
Stranded wire (AWG)	max. 1 mm ² / max. 18 AWG
Wire diameter	max. 1.4 mm - min. 0.3 mm
Module connection	
Wire cross section solid	0.34 mm ² - 2.5 mm ² / AWG 22-12
Wire cross section multi	0.25 mm ² - 2.5 mm ² / AWG 22-12
Wire cross section with wire ferrule	0.25 mm ² - 2.5 mm ² / AWG 22-12
Screw torque (max.)	0.5 Nm
Stripping length (min.)	8 mm
Protection circuit	Polarity reversal protection for DC operating voltage, Protection against interchanging power supply and bus
Material	
Material - Housing	Polyamid 6.6 V0
Color	gray
Material - Terminal block	Polyamid 6.6 V0
Material - Covers	Polycarbonat
REACH	compliant
REACH - substance (SVHC)	Lead / 7439-92-1

Technical Data

Protection category according to IEC 60529

Protection category - housing (acc. to IEC 60529)	IP40
---	------

Protection category - terminal blocks (acc. to IEC 60529)	IP20
---	------

Temperature range

Operating

Temperature - Operating °C	-5 °C - 55 °C
----------------------------	---------------

Temperature - Operating °F	23 °F - 131 °F
----------------------------	----------------

Storage

Temperature - Storage °C	-20 °C - 70 °C
--------------------------	----------------

Temperature - Storage °F	-4 °F - 158 °F
--------------------------	----------------

Classifications

ETIM 7.0	EC001096
----------	----------

ETIM 8.0	EC001096
----------	----------

Software and additional documents

Software and documentation	Further documentation is available for free download at www.metz-connect.com
----------------------------	--



Accessories

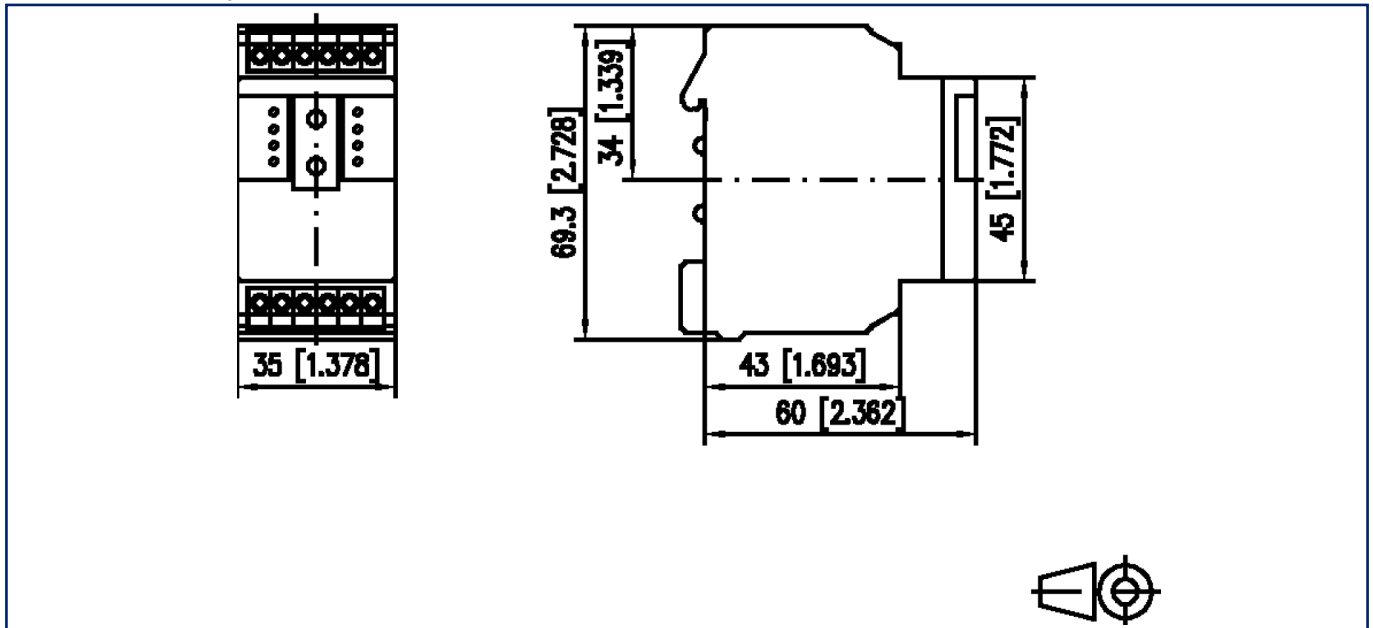
P/N	Designation
110369	Terminal block Type 259
110486	HUB DC
110561	Power supply NG4 24 V DC
31135104	Typ 135 RIACON 135_3.5

Accessories from

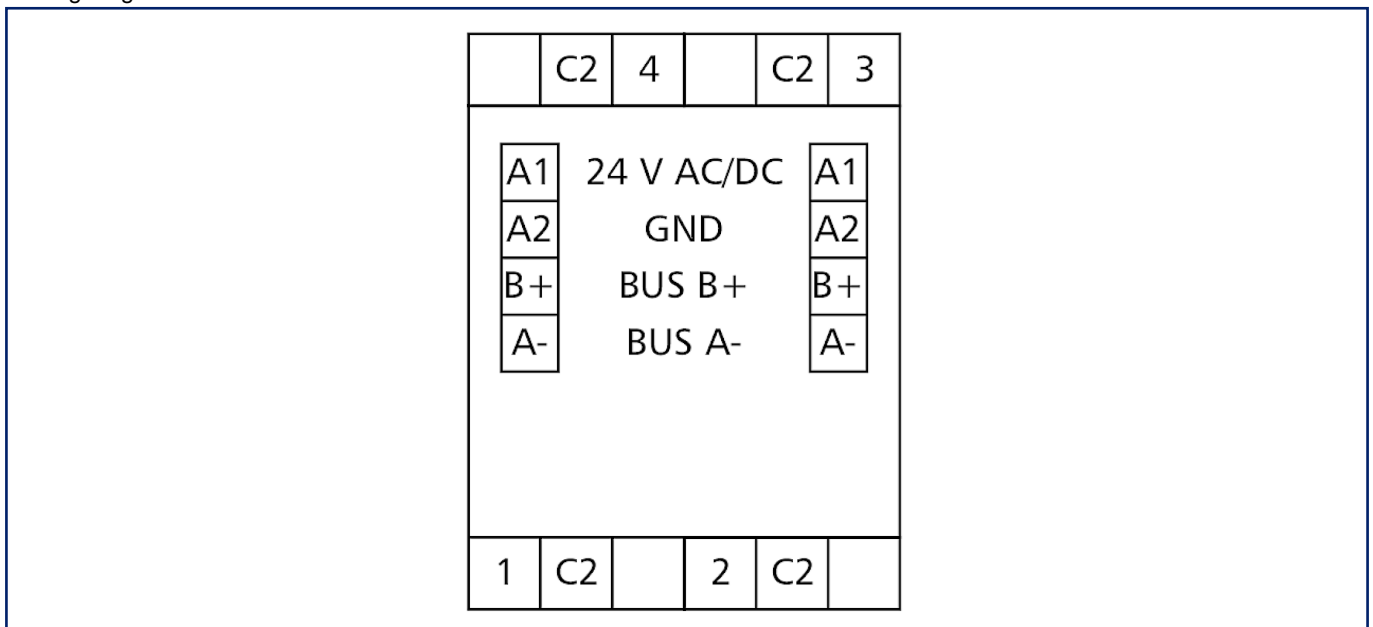
P/N	Designation
11088001	BMT-RTR BACnet-Router
1108800170	BMT-F-RTR BACnet-Router

Illustrations

Dimensional drawing



Wiring diagram



Illustrations

Principle diagram

