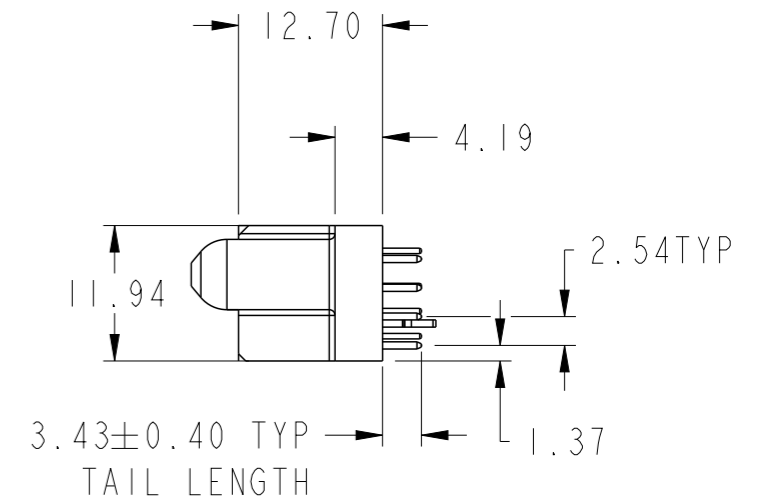
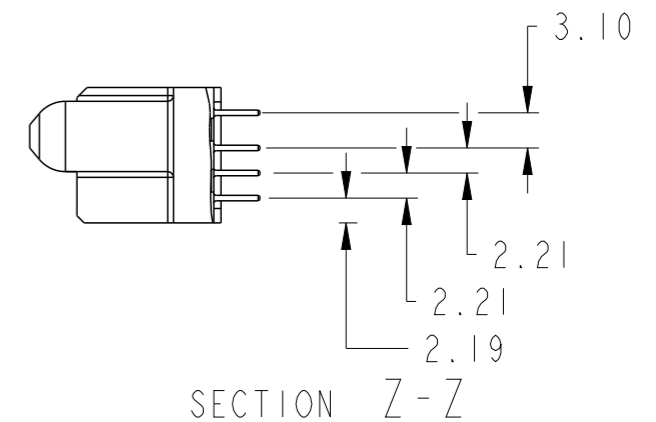
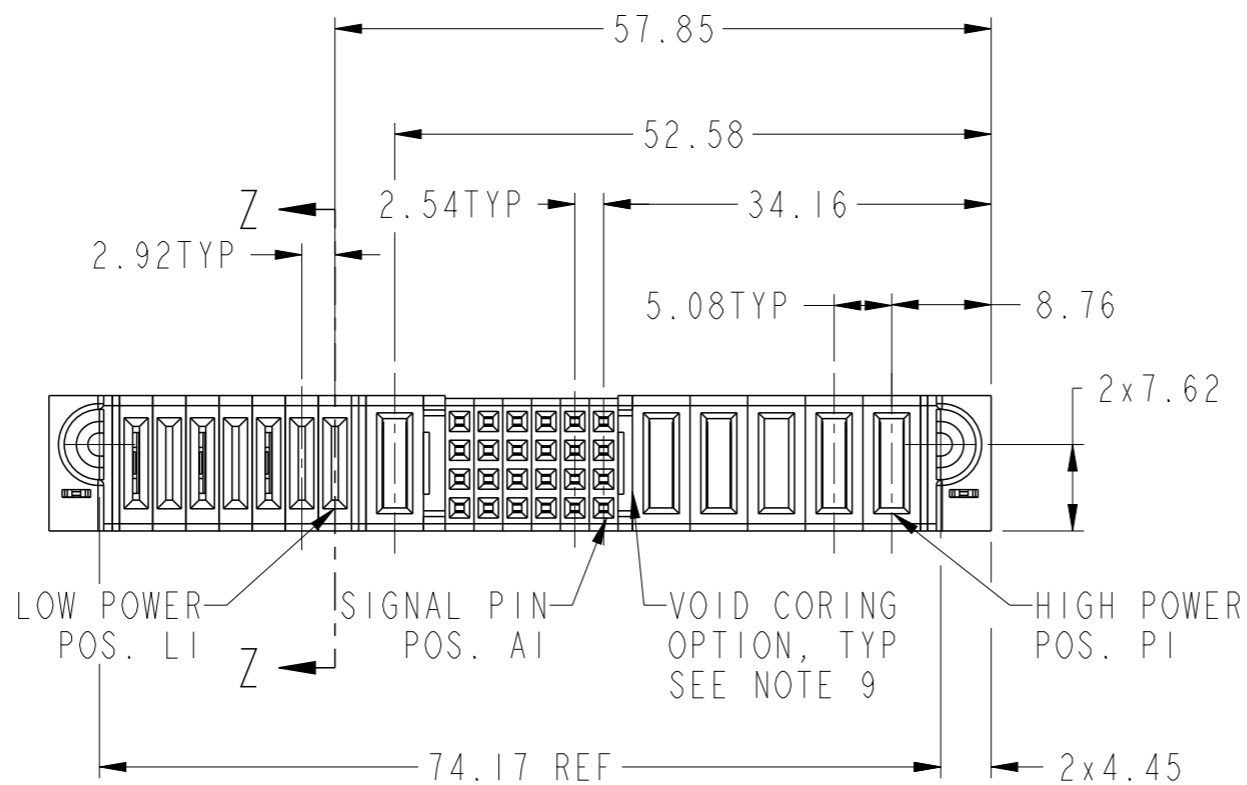
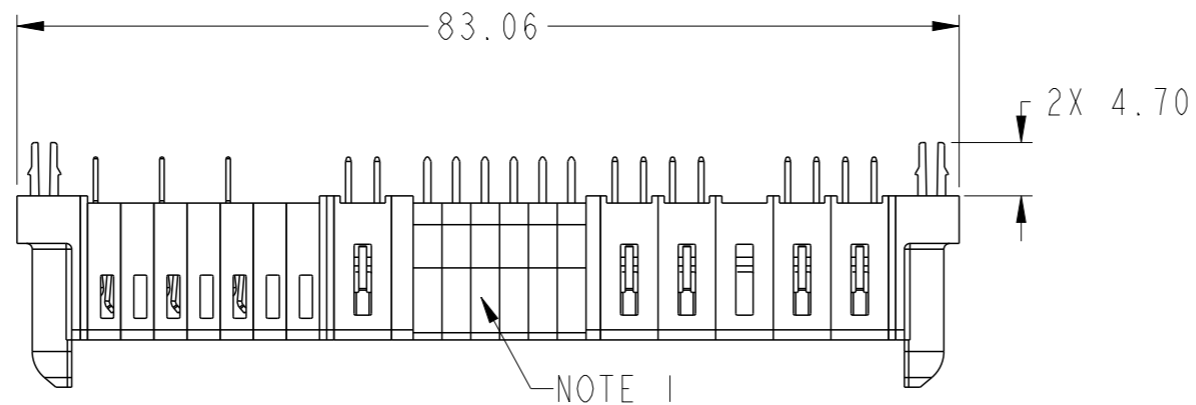
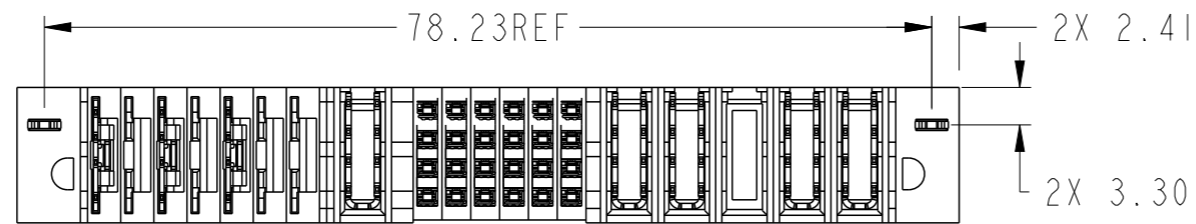


PRODUCT NUMBER SEE SHEET 2



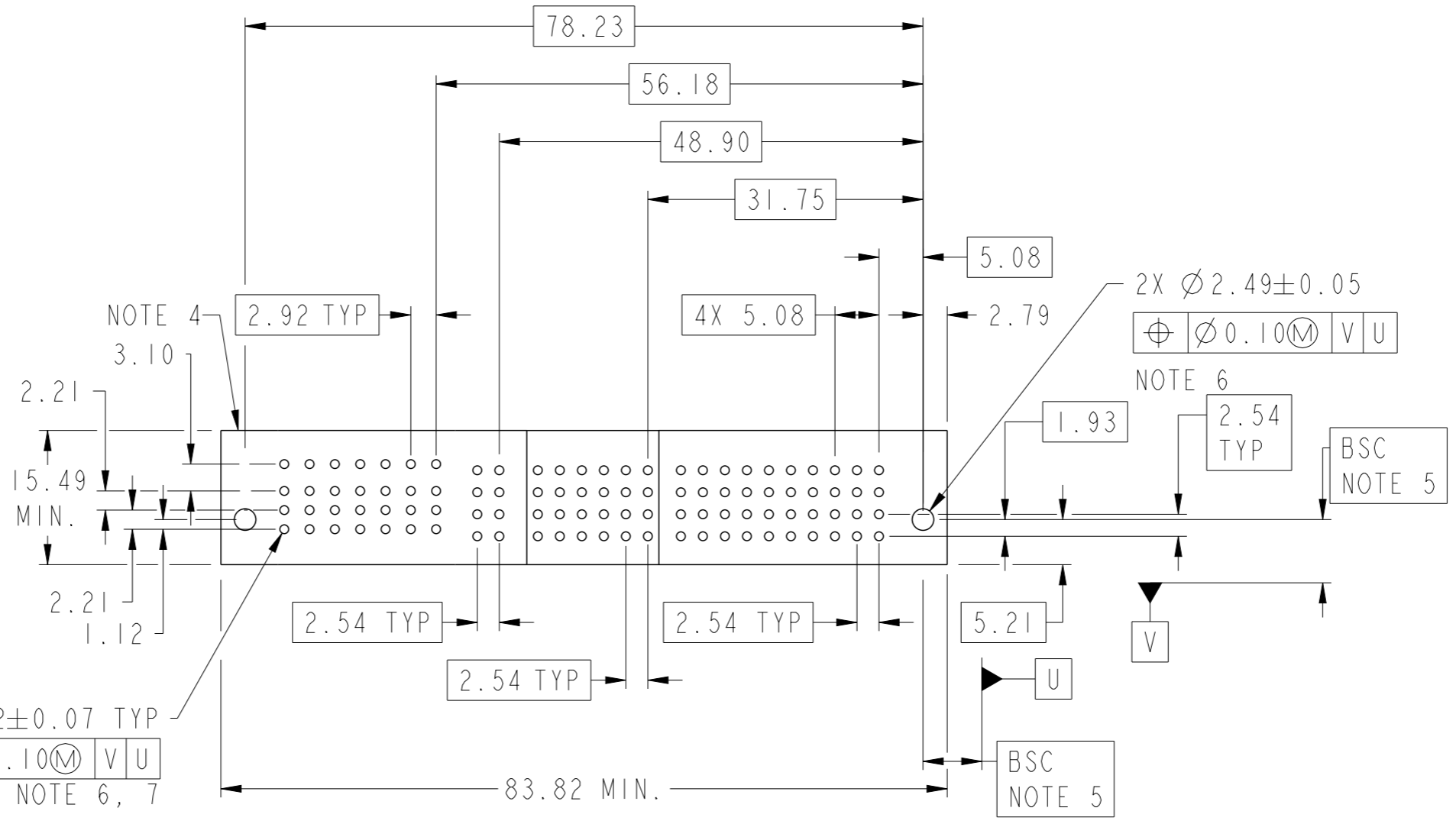
spec ref		dr	Peng-Bing Fu	2013/03/21	projection	MM	size	A3	scale	3:2	
tolerance std		eng	Peng-Bing Fu	2013/04/19			ecn no		-		
ASME Y14.5		chr	-	-			rel level		Released		
TOLERANCES UNLESS OTHERWISE SPECIFIED		appr	Pei-Ming Zheng	2013/04/19	product family		PowerBlade+		-		
surface		linear	0.X	±0.50		5HDP + 24S + 1HP+7LP		dwg no	10106268-6706001		rev
			0.XX	±0.25							
			0.XXX	±0.10							
ASME Y14.5	angular	0°	±2°	www.fci.com	cat. no.	Product - Customer Drw		sheet 1 of 3			



Copyright FCI.

PRODUCT NO.	ROWS	LOW POWER							HP	SIGNAL					HIGH POWER					E2							
		E1	P13	P12	P11	P10	P9	P8	P7	P6	6	5	4	3	2	1	P5	P4	P3		P2	P1					
10106268-6706001LF	DCBA	HA	LR	X	LR	X	LR	X	X	H6	E	E	E	E	E	E	E	E	E	E	E	H3	H3	X	H3	H3	HA

CODE	DESCRIPTION
E	STD SIGNAL CONTACT
H3	STD HIGH POWER CONTACT (3.43)
H6	MFBL HIGH POWER CONTACT (3.43)
HA	METAL HOLD DOWN
LR	STD LOW POWER CONTACT (3.43)
X	OMITED



Copyright FCI.

dr	Peng-Bing Fu	2013/03/21	projection	MM	size	A3	scale	3:2
eng	Peng-Bing Fu	2013/04/19			ecn no		-	
chr	-	-			rel level		Released	
appr	Pei-Ming Zheng	2013/04/19	product family	PowerBlade+				
			title 5HDP + 24S + 1HP+7LP VT STB RECEPTACLE		dwg no 10106268-6706001		rev A	
www.fci.com			cat. no.		Product - Customer Drw		sheet 2 of 3	

A

A

NOTES:

- 1) "FCI", PART NUMBER AND DATE CODE TO BE MARKED ON THIS SURFACE.  
THE MARK CAN BE OMITTED IF THERE IS NOT ENOUGH SPACE ON THIS SURFACE.
- 2) MATERIALS:  
-HOUSING - GLASS FILLED WITH HIGH TEMP THERMOPLASTIC, UL94V-0.  
-SIGNAL CONTACT - COPPER ALLOY.  
-POWER CONTACT - HIGH CONDUCTIVITY COPPER ALLOY.
- 3) PLATING SPECIFICATION REFER TO FCI 10116351
- 4) DENOTES CONNECTOR KEEP OUT ZONE.
- 5) DATUM AND BASIC DIMENIONS WERE ESTABLISHED BY CUSTOMER.
- 6) ALL HOLE DIAMETERS ARE FINISHED HOLE SIZES.
- 7)  $1.15 \pm 0.025$ MM DRILLED HOLE PLATED WITH 0.00762MM MIN Sn  
OVER 0.0254-0.0762MM Cu PLATING TO ACHIEVE A  $1.02 \pm 0.07$ MM HOLE.
- 8) PRODUCT SPECIFICATION REFER TO FCI GS-12-658.  
APPLICATION SPECIFICATION REFER TO FCI GS-20-141.  
PRODUCT PACKAGED IN TRAYS, REFER TO FCI GS-14-1502.
- 9) THE VOID CORING IN BETWEEN POWER MODULES, SIGNAL  
MODULES AND END MODULES ARE OPTIONAL AND THE SHAPE  
MAY BE DIFFERENT FOR OPTIMIZE THE MOLDING PROCESS. THE  
VOID CORING WILL NOT EFFECT TO PRODUCT FUNCTION.

B

B

C

C

D

D



Copyright FCI.

dr	Peng-Bing Fu	2013/03/21	projection 	MM 	size	A3	scale	1:1	
eng	Peng-Bing Fu	2013/04/19			ecn no	-			
chr	-	-			rel level	Released			
appr	Pei-Ming Zheng	2013/04/19	product family	PowerBlade+					
		5HDP + 24S + 1HP+7LP			dwg no	10106268-6706001		rev	A
www.fci.com		cat. no.	Product - Customer Drw		sheet 3 of 3				