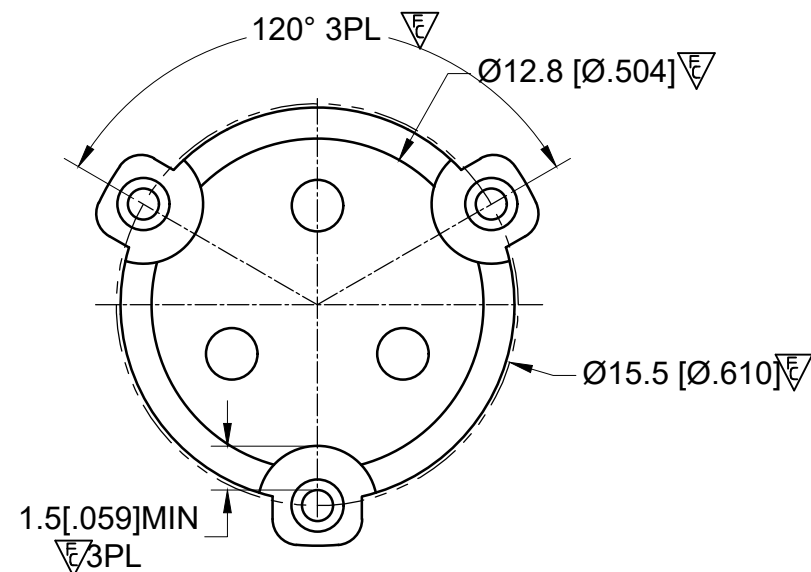
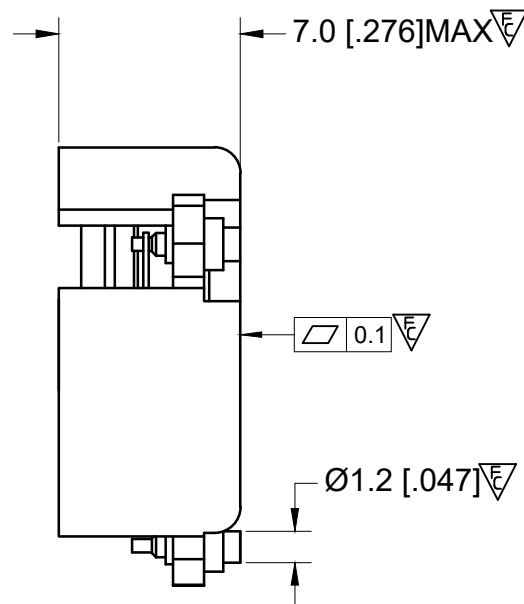
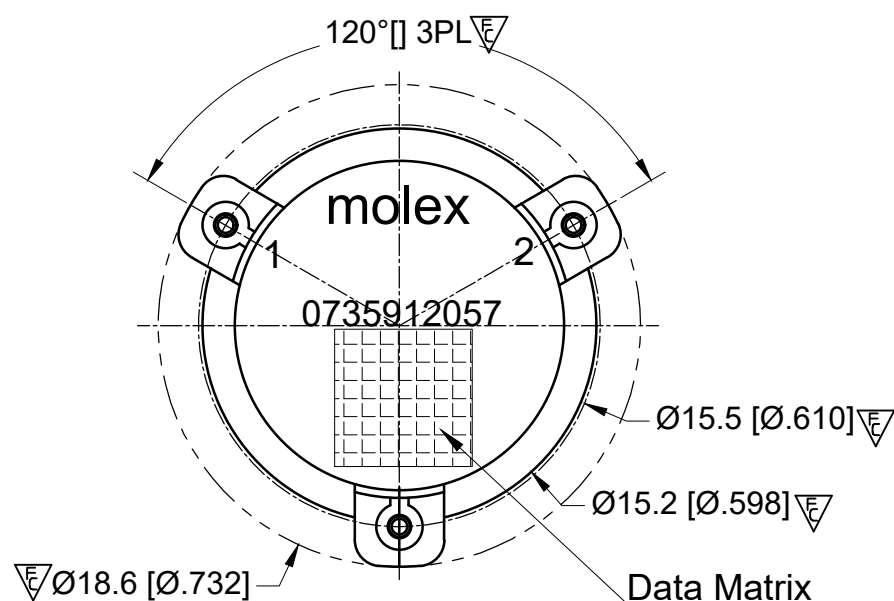
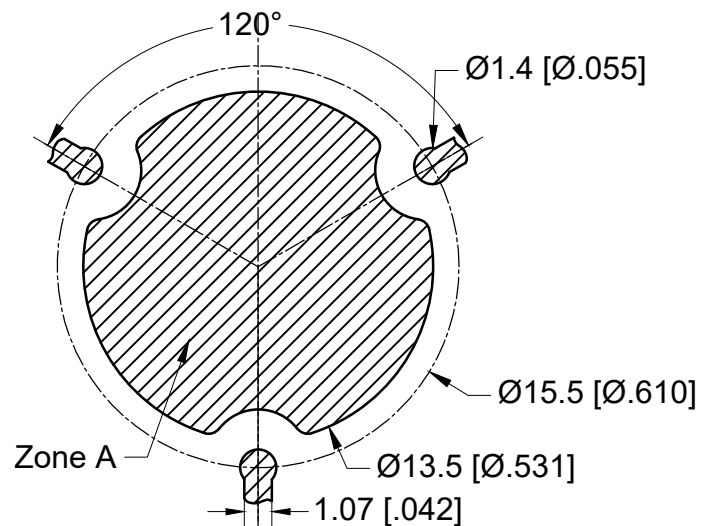
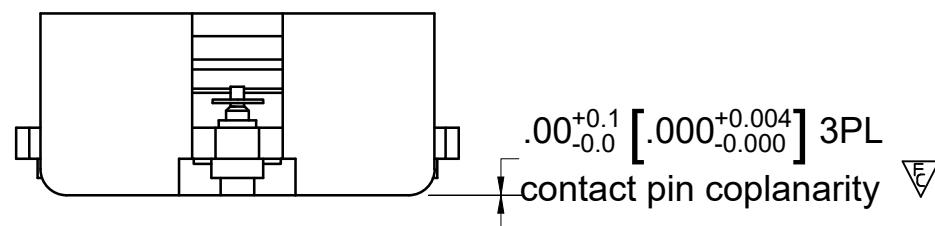


RECOMMENDED LAND PATTERN :

Zone A must be attached to heat sink. Thermal conductivity of intermediate layers between Zone A and heat sink must be better than 0.1 W / [°C x mm].



PCB Material :Rogers RO4350B,0.508mm thickness
trace width 1.07mm wide.



ELECTRICAL SPECIFICATIONS :

Frequency Range : 2300~2400MHz

Isolation : 20 dB min

Return Loss : 23 dB min

Insertion Loss : 0.25 dB max

Attenuation (2 x TX) : 20 dB min

(3 x TX) : 7 dB min

(N x TX) : 5 dB min

Input Power(within freq.range) :100 W max

Input Power peak(within freq.range) :1000 W max

Reflected Power :100W max

IM3(50W x 2 tones 5M spacing) : -65 dBc max

Harmonics (2 x TX @ 100W CW) : 60 dBc min

(3 x TX @ 100W CW) : 60 dBc min

Operating temperature range : -40 to +115°C

Storage temperature range : -40 to +125°C

Direction : CW

MATERIAL :

BODY : STEEL, SILVER PLATED

PIN : COPPER , SILVER PLATED

NOTES :

1.STANDARD INPUT/OUTPUT IMPEDANCE 50 Ohm

2.LEAD FREE, NO Nd MATERIAL, BeO FREE

3.THE DIMENSION OF DATA MATRIX IS 5.3X5.3MM INFORMATION INCLUDING WORK ORDER NUMBER-SERIAL NUMBER-MATERIAL NUMBER

4.THIS PART COMPLIES WITH ALL RoHS REQUIREMENTS

ENG PART#: 802-230-240-WP040

FUNCTIONAL SYMBOLS FA=0 FE=0 FP=0	THIS DRAWING CONTAINS INFORMATION THAT IS PROPRIETARY TO MOLEX ELECTRONIC TECHNOLOGIES, LLC AND SHOULD NOT BE USED WITHOUT WRITTEN PERMISSION									
	DIMENSION UNITS MM		SCALE 1:1		CURRENT REV DESC: RELEASE TO PROD		molex			
	GENERAL TOLERANCES (UNLESS SPECIFIED)				EC NO: 696580					
	4 PLACES ±0.025 ±----		mm INCH		DRWN: SREN05 2022/02/21		SMSJ CIRCULATOR/2300~2400MHZ/CW			
3 PLACES ±0.05 ±----				CHK'D: JLI252 2022/02/23		RESTRICTED PRODUCT CUSTOMER DRAWING				
2 PLACES ±0.13 ±----				APPR: HWANG186 2022/03/01		DOCUMENT NUMBER				
1 PLACE ±0.25 ±----				INITIAL REVISION:		735912057		PSD 000		A
0 PLACES ±0.4 ±----				DRWN: SREN05 2021/11/12		735912057		PSD 000		A
ANGULAR TOL ± 1.5 °				APPR: HWANG186 2022/03/01		735912057		PSD 000		A
DRAFT WHERE APPLICABLE MUST REMAIN WITHIN DIMENSIONS				THIRD ANGLE PROJECTION		DRAWING		SERIES		SHEET NUMBER
				A3-SIZE		73591		0735912057		CUSTOM PART 1 OF 1