



Main

Range of Product	Telemecanique Photoelectric sensors XU
Series name	General purpose single mode
Electronic sensor type	Photo-electric sensor
Sensor name	XUK
Sensor design	Compact 50 x 50
Detection system	Polarised reflex
Material	Plastic
Type of output signal	Discrete
Supply circuit type	AC/DC
Wiring Technique	5-wire
Discrete output function	1 C/O
Electrical connection	Cable
Cable length	32.81 ft (10 m)
Product Specific Application	-
Emission	Red polarised reflex
[Sn] nominal sensing distance	19.69 ft (6 m) polarised reflex need reflector XUZC50

Complementary

Enclosure Material	PBT
Lens material	PMMA
Maximum sensing distance	26.25 ft (8 m) polarised reflex
Output Type	Relay
Wire insulation material	PVC
Status LED	1 LED yellow)output state 1 LED green)supply
[Us] rated supply voltage	24...240 V AC/DC
Supply voltage limits	20...264 V AC 20...264 V DC
Switching capacity in mA	3 A $\cos \varphi = 1$ for 0.5 million cycles at 1 operating cycle per second at 250 V)
Switching frequency	≤ 20 Hz
Maximum voltage drop	< 1.5 V closed state)
Current consumption	≤ 35 mA no-load
Maximum power consumption in W	2 W AC
Maximum delay first up	60 ms
Maximum delay response	25 ms
Maximum delay recovery	25 ms
Setting-up	Without sensitivity adjustment
Electrical durability	500000 cycles 1 60 cyc/mn 250 V
Depth	1.97 in (50 mm)
Height	1.97 in (50 mm)
Width	0.71 in (18 mm)
Net Weight	0.42 lb(US) (0.19 kg)

Environment

Product Certifications	CSA UL CE
Ambient air temperature for operation	-13...131 °F (-25...55 °C)
Ambient Air Temperature for Storage	-40...158 °F (-40...70 °C)
Vibration resistance	7 gn +/- 1.5 mm 10...55 Hz IEC 60068-2-6
Shock resistance	30 gn 11 ms) IEC 60068-2-27
IP degree of protection	IP65 double insulation IEC 60529

Ordering and shipping details

Category	21571-SENSORS, ELECTRONIC BASIC XU & XS
Discount Schedule	DS2
GTIN	3389110164534
Nbr. of units in pkg.	1
Package weight(Lbs)	20.39 oz (578.0 g)
Returnability	No
Country of origin	ID

Packing Units

Unit Type of Package 1	PCE
Package 1 Height	2.95 in (7.5 cm)
Package 1 width	5.12 in (13 cm)
Package 1 Length	5.12 in (13 cm)
Unit Type of Package 2	S02
Number of Units in Package 2	10
Package 2 Weight	13.56 lb(US) (6.152 kg)
Package 2 Height	5.91 in (15 cm)
Package 2 width	11.81 in (30 cm)
Package 2 Length	15.75 in (40 cm)

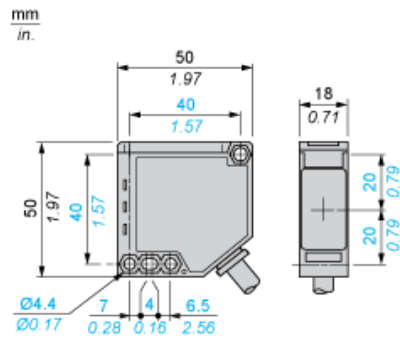
Offer Sustainability

Sustainable offer status	Green Premium product
California proposition 65	WARNING: This product can expose you to chemicals including: Diisononyl phthalate (DINP), which is known to the State of California to cause cancer, and Di-isodecyl phthalate (DIDP), which is known to the State of California to cause birth defects or other reproductive harm. For more information go to www.P65Warnings.ca.gov
REACH Regulation	REACH Declaration
EU RoHS Directive	Pro-active compliance (Product out of EU RoHS legal scope) EU RoHS Declaration
Mercury free	Yes
RoHS exemption information	Yes
Environmental Disclosure	Product Environmental Profile
Circularity Profile	End Of Life Information

Contractual warranty

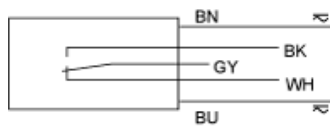
Warranty	18 months
----------	-----------

Dimensions



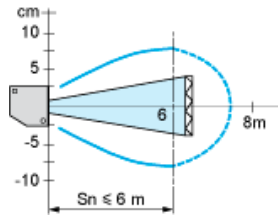
Wiring Schemes

Relay Output



BN : Brown
BU : Blue
NO/ Black
BK :
RelayGrey
common/
GY :
NC/ White
WH :

Detection Curves



With reflector XUZY50