

4

3

2

1

D

D

C

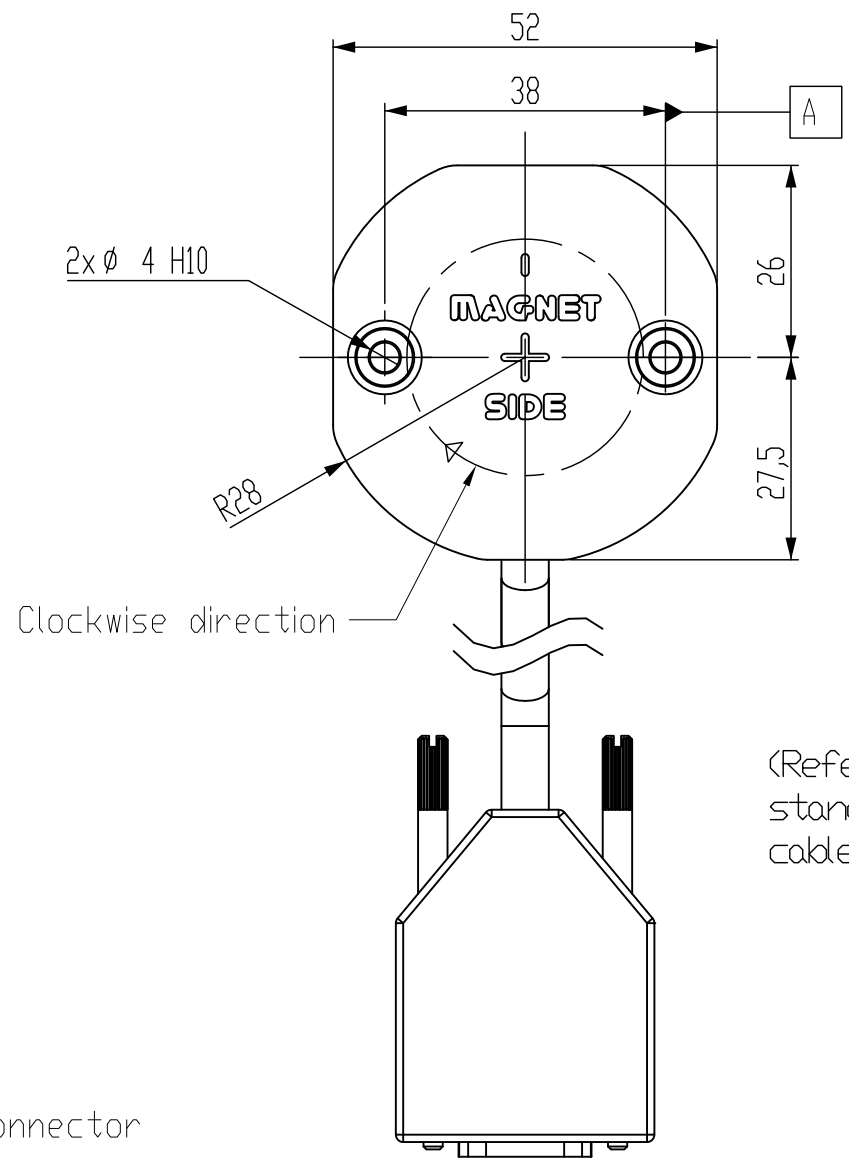
C

B

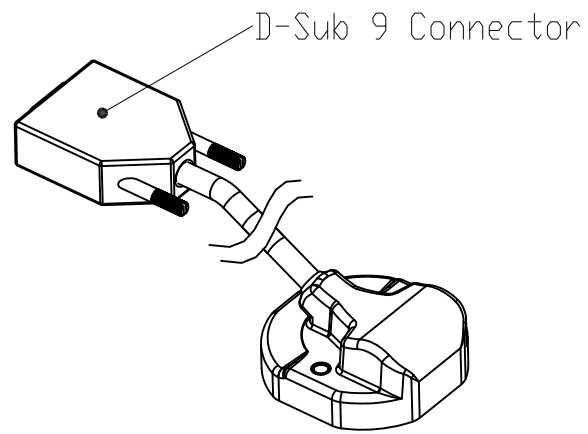
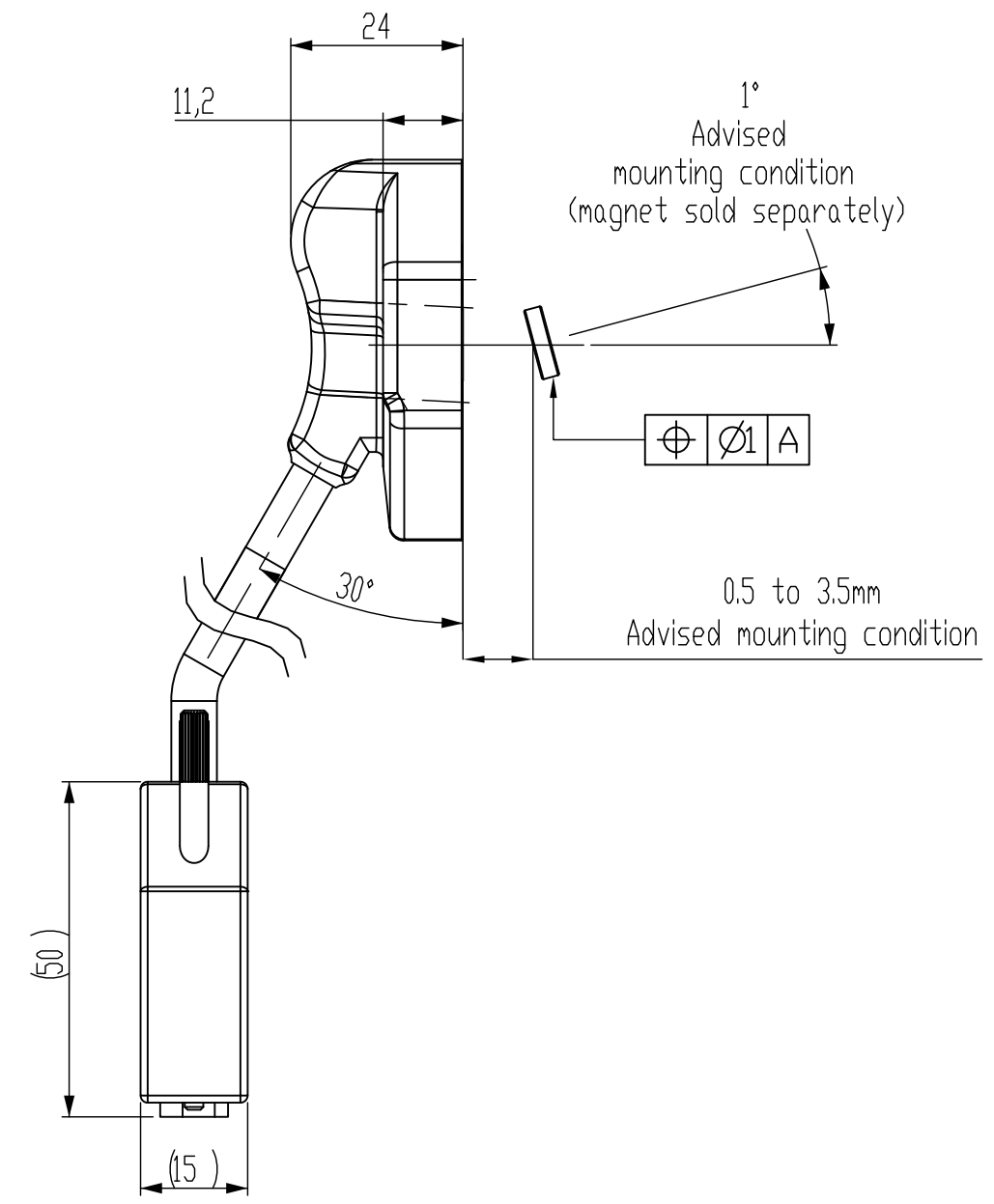
B

A

A



(Refer to the bus standards for max. cable length)



UNCONTROLLED COPY		<p>BEI SENSORS SAS Espace Européen de l'Entreprise 9, rue de Copenhague BP 70044 - F 67013 STRASBOURG Cedex Tel : +33 (0)3 88 20 81 40</p>	
FIRST ISSUE DATE : 16/10/2018	DRAWN : RHM		
APPROVED : -	DATE :	<p>UNLESS OTHERWISE SPECIFIED DIMENSIONS ARE IN MILLIMETERS (INCHES) AND ARE INTENDED AS NOMINAL. SEE PRODUCT SPECIFICATION FOR MORE DETAILS.</p>	
ECN : -	DATE :		
Housing material : Macromelt DM638	Flange material : -	SHAFT material : -	<p>SIZE A3</p> <p>DWG NO. M089</p> <p>REV. A</p>
SCALE 1/1		SHE ET 1 OF 1	

4

3

2

1

DEVICE:

PROJECT: