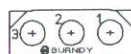


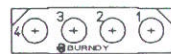
MATING FACE OF QIKMATE™ RECTANGULAR CONNECTOR



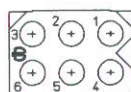
2 POSITIONS



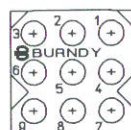
3 POSITIONS



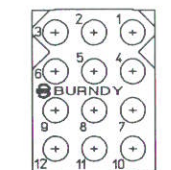
4 POSITIONS



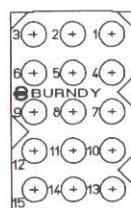
6 POSITIONS



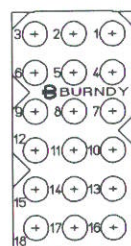
9 POSITIONS



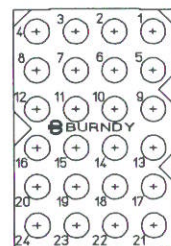
12 POSITIONS



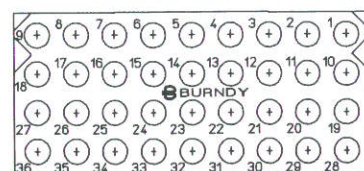
15 POSITIONS



18 POSITIONS

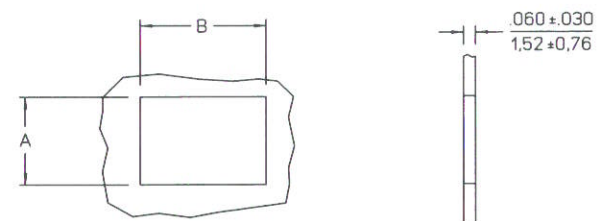


24 POSITIONS



36 POSITIONS

PANEL CUTOUT DIMENSIONS		
RECEPTACLE CONNECTOR CATALOG NUMBER	DIM A	DIM B
SMS/SMV2R-1	.455 [11,56]	.450 [11,43]
SMS/SMV3R-1	.455 [11,56]	.650 [16,51]
SMS/SMV4R-1	.455 [11,56]	.850 [21,19]
SMS/SMV6R-1	.655 [16,64]	.650 [16,51]
SMS/SMV9R-1	.655 [16,64]	.850 [21,19]
SMS/SMV12R-1	.655 [16,64]	1.050 [26,67]
SMS/SMV15R-1	.655 [16,64]	1.250 [31,75]
SMS/SMV18R-1	.655 [16,64]	1.450 [36,83]
SMS/SMV24R-1	.855 [21,72]	1.450 [36,83]
SMS/SMV36R-1	1.050 [26,67]	1.855 [47,12]



NOTES: UNLESS OTHERWISE SPECIFIED

- 1 INTERPRET THIS DRAWING IN ACCORDANCE WITH ANSI Y14.5M-1982.
- 2 CONTACT DESIGNATIONS SHOWN APPEAR ON BOTH MATING FACE AND WIRE FACE OF CONNECTOR.
- 3 CONNECTOR IS UL COMPONENT RECOGNIZED FILE E31151 (250 VOLT RATED), GUIDE NO. RTRT-2.
- 4 CONNECTOR IS CSA CERTIFIED FILE 39151 (250 VOLT RATED).
- 5 SMV__P/R-1 ASSEMBLIES AVAILABLE IN NATURAL (WHITE) ONLY.

MATERIAL

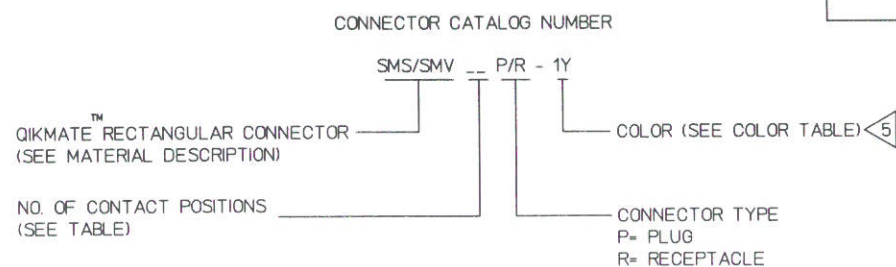
SMS__P/R-1: NYLON PER MIL-M-20693A, UL94V-2 (COLOR: SEE COLOR TABLE).

SMV__P/R-1: NYLON UL94V-0, (COLOR-NATURAL [WHITE])

PERFORMANCE CHARACTERISTICS	
CHARACTERISTICS	PERFORMANCE
OPERATING TEMPERATURE	-55°C TO 105°C
INSULATION RESISTANCE	5000 MEGOHMS AT 500 VOLTS D.C.
TEST POTENTIAL (1 MIN DURATION) AT SEA LEVEL	2000 VOLTS A.C.
CONTACT RETENTION IN CONNECTOR (MIN.)	10 POUNDS
CONNECTOR MATING FORCES	2 POSITIONS - 1 POUND 3 POSITIONS - 1 POUND 6 OUNCES 4 POSITIONS - 2 POUNDS 6 POSITIONS - 3 POUNDS 9 POSITIONS - 4 POUNDS 6 OUNCES 12 POSITIONS - 6 POUNDS 15 POSITIONS - 7 POUNDS 6 OUNCES 18 POSITIONS - 9 POUNDS 24 POSITIONS - 12 POUNDS 36 POSITIONS - 18 POUNDS
HUMIDITY (240 HRS. AT 40°C, 90-95% R.H.)	MEETS INSULATION RESISTANCE AND TEST VOLTAGE REQUIREMENTS
VIBRATION (PER MIL-STD-202 METHOD 204)	NO CRACKING OF DIELECTRIC OR LOOSENING OF CONTACTS, NO DISCONTINUITY GREATER THAN 10 MICROSECONDS
SHOCK (PER MIL-STD-202B METHOD 213 COND. A)	NO CRACKING OF DIELECTRIC OR LOOSENING OF CONTACTS, NO DISCONTINUITY GREATER THAN 10 MICROSECONDS
DURABILITY	SHALL WITHSTAND 500 MATINGS AND UNMATINGS
WORKING VOLTAGE	750 VOLTS (SEE NOTES 3 AND 4)

SUPERSEDES SE72097 REV.15

COLOR TABLE		
COLOR	SUFFIX LETTER	
	SMS___	SMV___
NATURAL (WHITE)	A	BLANK
BLACK	BLANK	
BLUE	B	
GREEN	G	
RED	R	
YELLOW	Y	

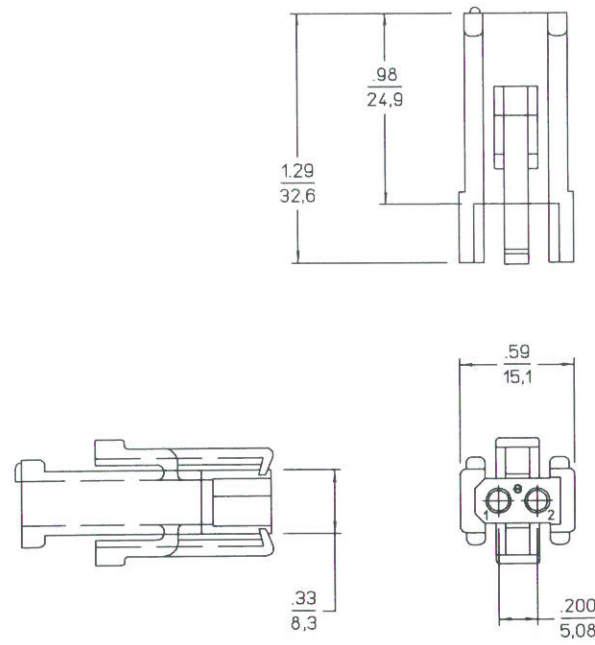


16	REDRAWN ON CAD TO E SIZE WITH NO CHANGE (ECN 3129)	DET	PEP	10-27-94
REV	REVISION DESCRIPTION	BY	CHKD	DATE

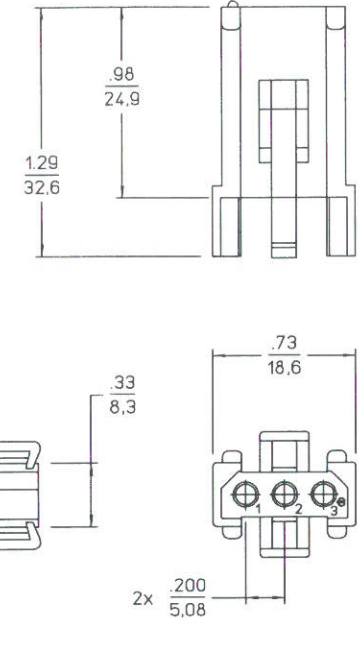
QIKMATE™ RECTANGULAR CONNECTOR				
CAT NO SMS/SMV__P/R-1 (SEE TABLE)				
DWG RELEASED TO CENTRAL FILE 10-28-94				
CAGE NO 09922	ECN 3129	PC 732		
© BURNDY CORPORATION 1993				
DRWN	JOHN B	1-27-79		
CHKD	SFP	03-14-79		
DSGN	D.L.	3-22-79		
MKT	MG	10-27-94		
QC	SJ	10-27-94		
DRAWING SCALE 2:1				
DRAWING NO			REV	
SE72097			16	
SHEET 1 OF 7				

LINEAR MEASURE: INCH (mm)	
THIRD ANGLE PROJECTION	
- TOLERANCES - UNLESS OTHERWISE SPECIFIED	
NO OF DECIMAL PLACES IN INCHES	INCH (mm)
ONE PLACE	±.1 [±3]
TWO PLACES	±.02 [±0,5]
THREE PLACES	±.005 [±0,13]
ANGLES ±°	

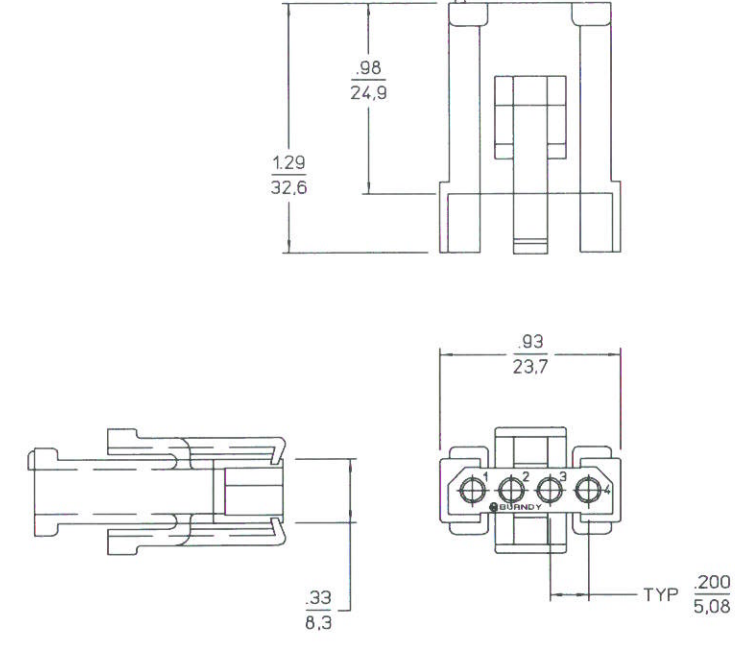




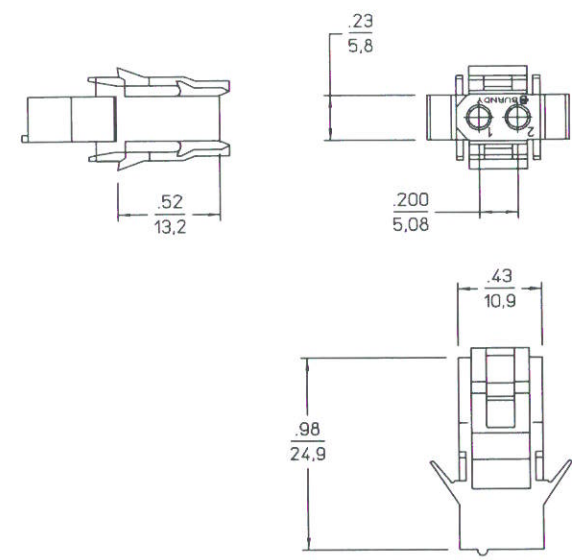
PLUG CONNECTOR
SMS/SMV2P-1---



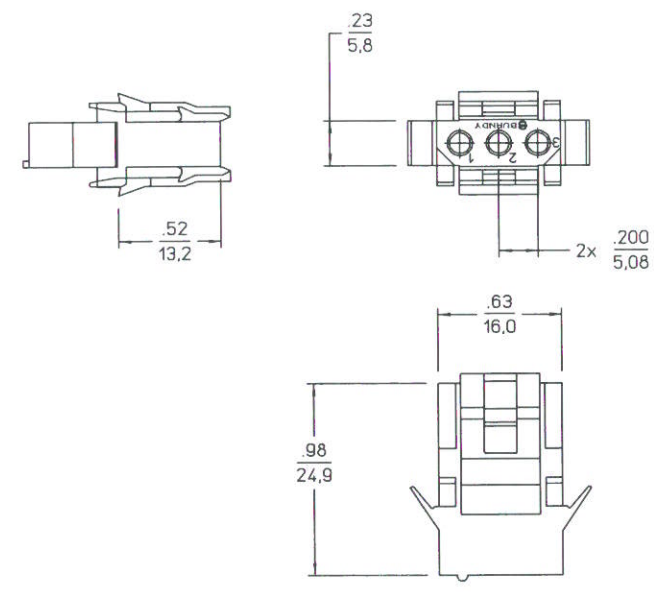
PLUG CONNECTOR
SMS/SMV3P-1---



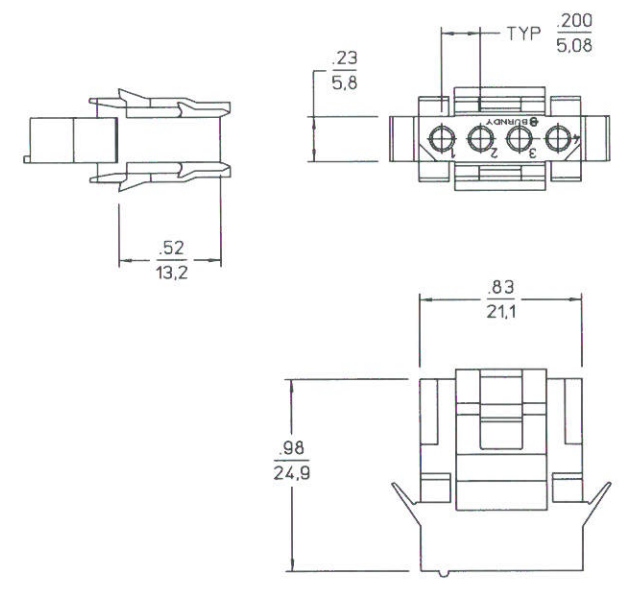
PLUG CONNECTOR
SMS/SMV4P-1---



RECEPTACLE CONNECTOR
SMS/SMV2R-1---



RECEPTACLE CONNECTOR
SMS/SMV3R-1---



RECEPTACLE CONNECTOR
SMS/SMV4R-1---

LINEAR MEASURE: INCH [mm] INCH [mm]
THIRD ANGLE PROJECTION

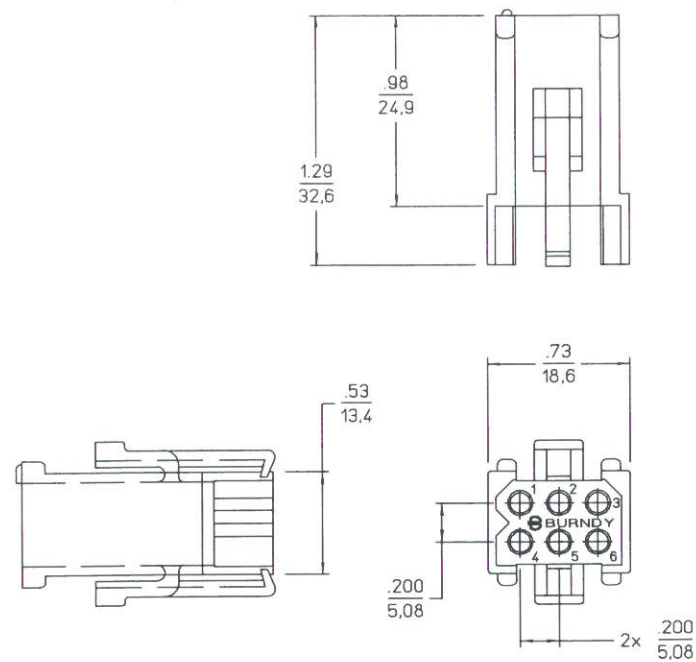
- TOLERANCES -
UNLESS OTHERWISE SPECIFIED

NO OF DECIMAL PLACES IN INCHES	INCH [mm]
ONE PLACE	±.1 [.3]
TWO PLACES	±.02 [.5]
THREE PLACES	±.005 [.13]

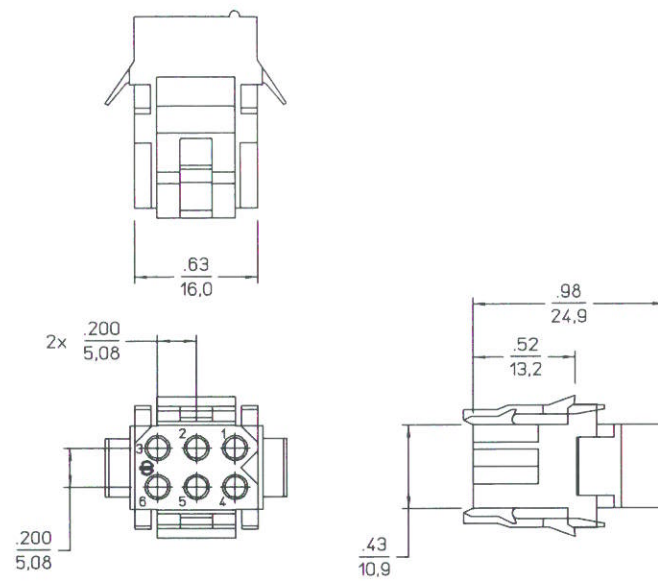
ANGLES ±1°

ALL REVISIONS RECORDED ON SH 1			
REV	REVISION DESCRIPTION	BY	CHKD DATE
QIKMATE™ RECTANGULAR CONNECTOR			
CAT NO SMS/SMV_P/R-1 (SEE TABLE SHEET 1)			
DWG RELEASED TO CENTRAL FILE 10-28-94		A DRWN D. THOMMEN	
CAGE NO 09922	ECN 3129	PC 732	CHKD SFP 02-02-78
© BURNDY CORPORATION 1993		DSGN RPS 02-02-78	
		MKT MG 10-27-94	
		QC SJ 10-27-94	
DRAWING SCALE 2:1			
DRAWING NO		REV	
SE72097		16	
SHEET 2 OF 7			

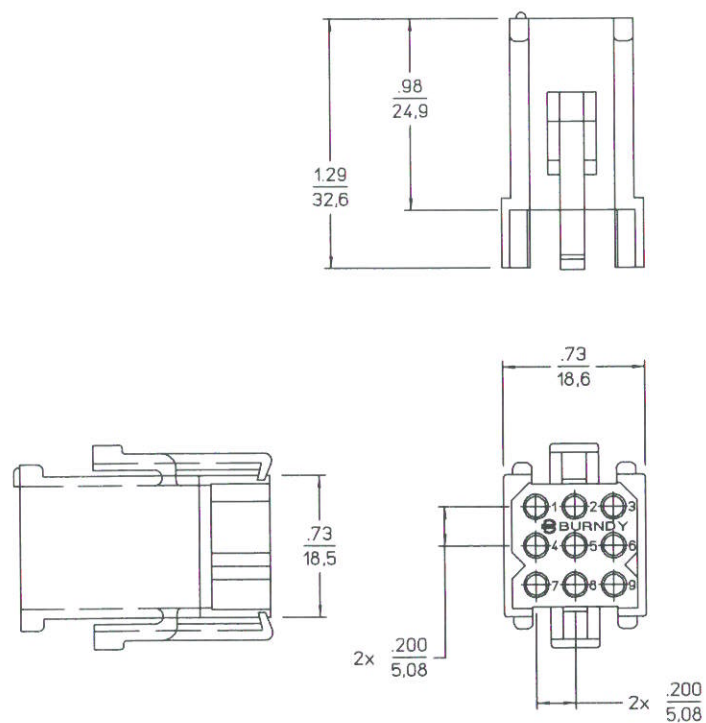




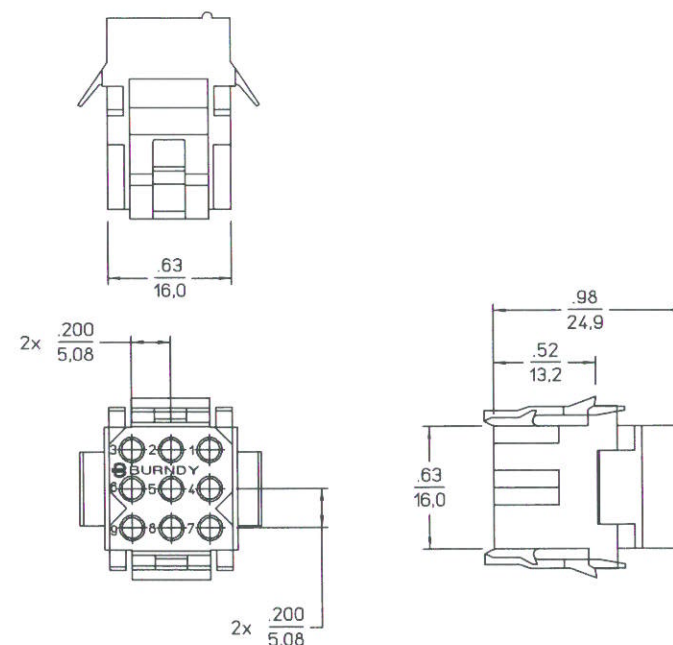
PLUG CONNECTOR
SMS/SMV6P-1_...



RECEPTACLE CONNECTOR
SMS/SMV6R-1_...



PLUG CONNECTOR
SMS/SMV9P-1_...



RECEPTACLE CONNECTOR
SMS/SMV9R-1_...

LINEAR MEASURE: INCH		INCH (mm)	
THIRD ANGLE PROJECTION			
- TOLERANCES -			
UNLESS OTHERWISE SPECIFIED			
NO OF DECIMAL PLACES IN INCHES	INCH (mm)		
ONE PLACE	±.1 [±3]		
TWO PLACES	±.02 [±0.5]		
THREE PLACES	±.005 [±0.13]		
ANGLES ±1°			

ALL REVISIONS RECORDED ON SH 1			
REV	REVISION DESCRIPTION	BY	CHKD DATE

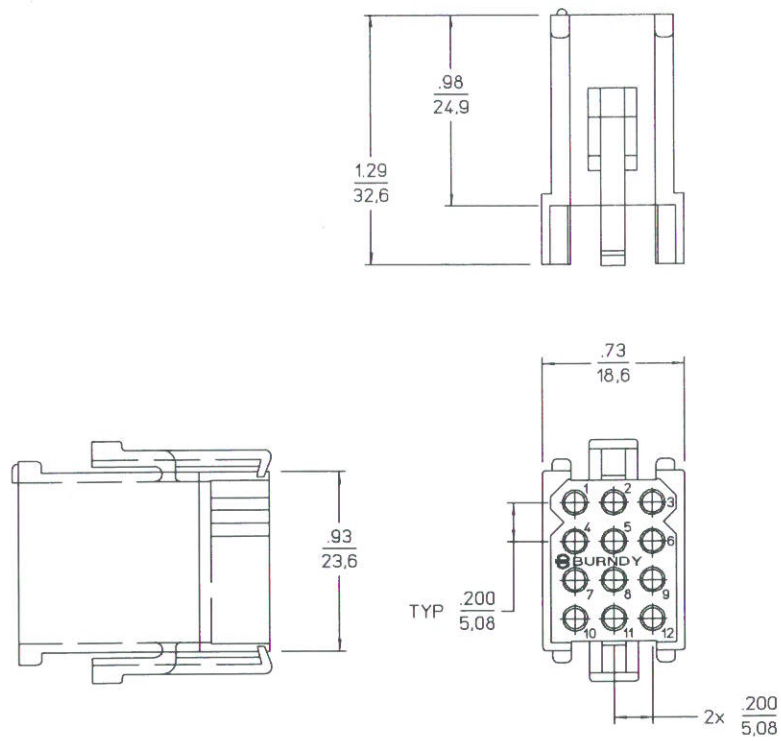
QIKMATE™ RECTANGULAR CONNECTOR

CAT NO SMS/SMV_P/R-1 (SEE TABLE SHEET 1)

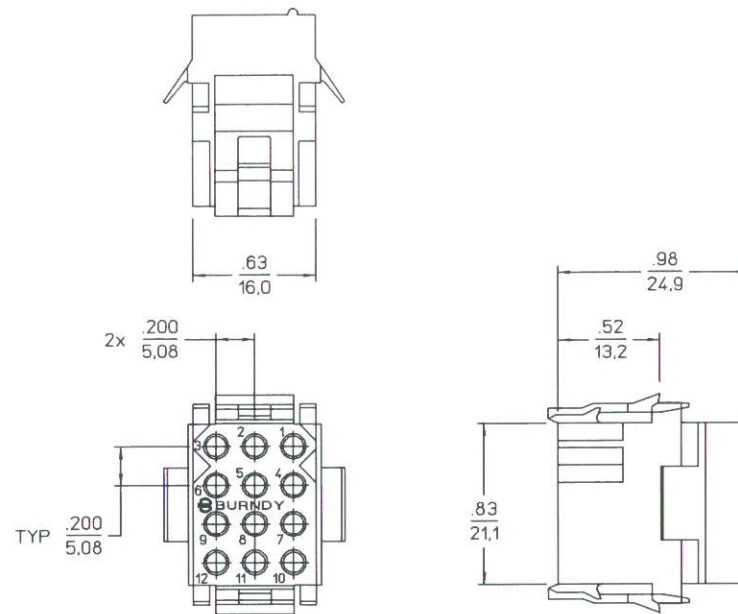
DWG RELEASED TO CENTRAL FILE 10-28-94	DRWN JOHN B. 1-30-79
CAGE NO 09922 ECN 3129 PC 732	CHKD SFP 03-14-79
© BURNDY CORPORATION 1993	
DSGN D.L. 03-22-79	BY MKT MG 10-27-94
QC SJ 10-27-94	DATE



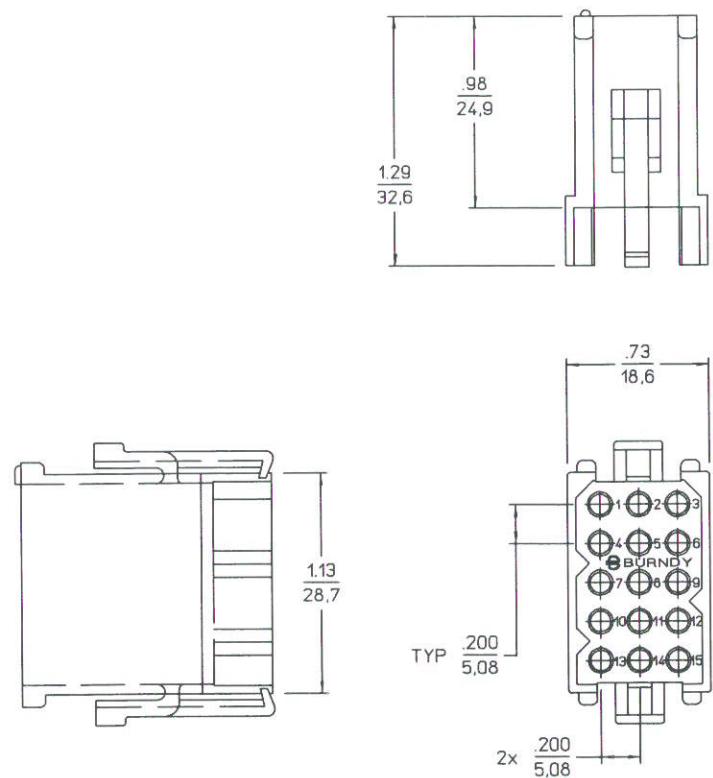
DRAWING SCALE 2:1	
DRAWING NO	REV
SE72097	16
SHEET 3 OF 7	



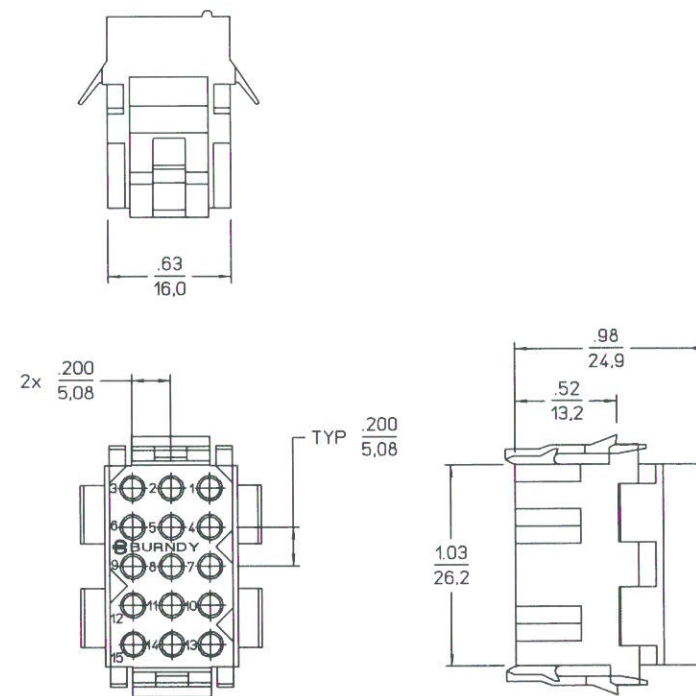
PLUG CONNECTOR
SMS/SMV12P-1_...



RECEPTACLE CONNECTOR
SMS/SMV12R-1_...



PLUG CONNECTOR
SMS/SMV15P-1_...



RECEPTACLE CONNECTOR
SMS/SMV15R-1_...

LINEAR MEASURE:		INCH	INCH (mm)
		mm	
THIRD ANGLE PROJECTION			
- TOLERANCES -			
UNLESS OTHERWISE SPECIFIED			
NO OF DECIMAL PLACES IN INCHES	INCH (mm)		
ONE PLACE	±.1 [.3]		
TWO PLACES	±.02 [.5]		
THREE PLACES	±.005 [.13]		
ANGLES ±1°			

—	ALL REVISIONS RECORDED ON SH 1	—	—	—
REV	REVISION DESCRIPTION	BY	CHKD	DATE

QIKMATE™ RECTANGULAR CONNECTOR

CAT NO SMS/SMV_P/R-1 (SEE TABLE SHEET 1)

DWG RELEASED TO CENTRAL FILE 10-27-94
CAGE NO 09922 | ECN 3129 | PC 732

© BURNDY CORPORATION 1993

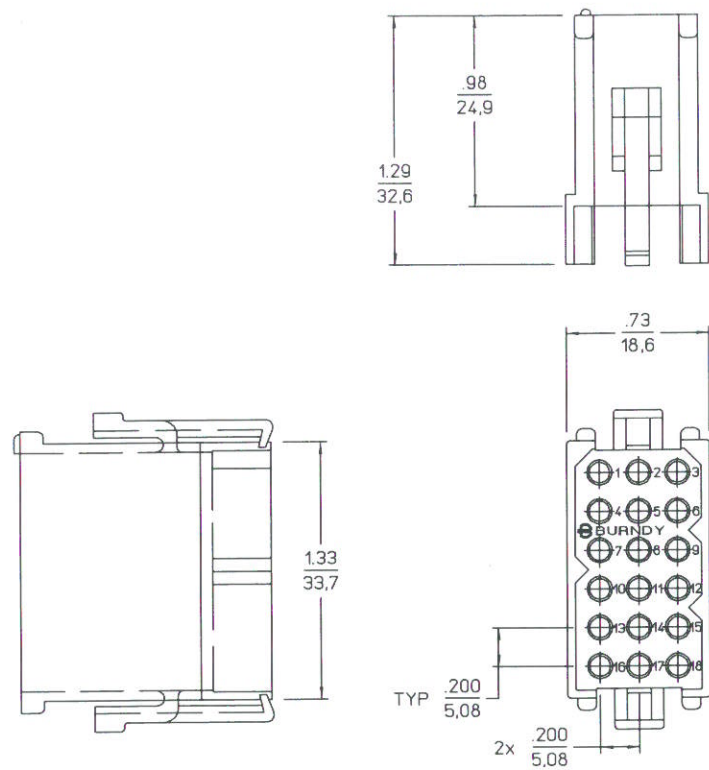
DRWN	JOHN B. 2-1-79
CHKD	SFP 03-14-79
DSGN	D.L. 03-22-79
MKT	MG 10-27-94
QC	SJ 10-27-94

DRAWING SCALE 2:1	
DRAWING NO	REV

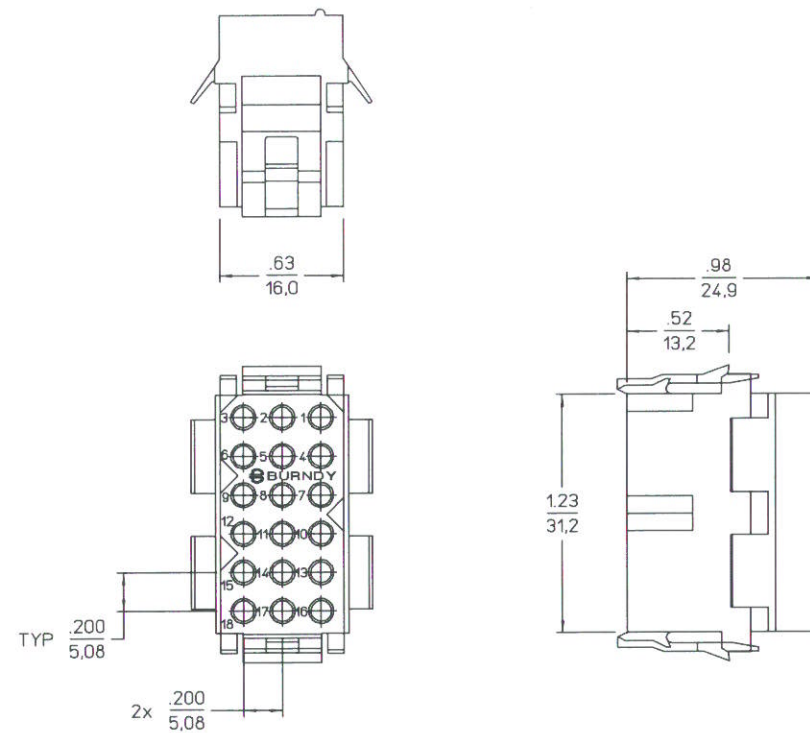
SE72097 16

SHEET 4 OF 7

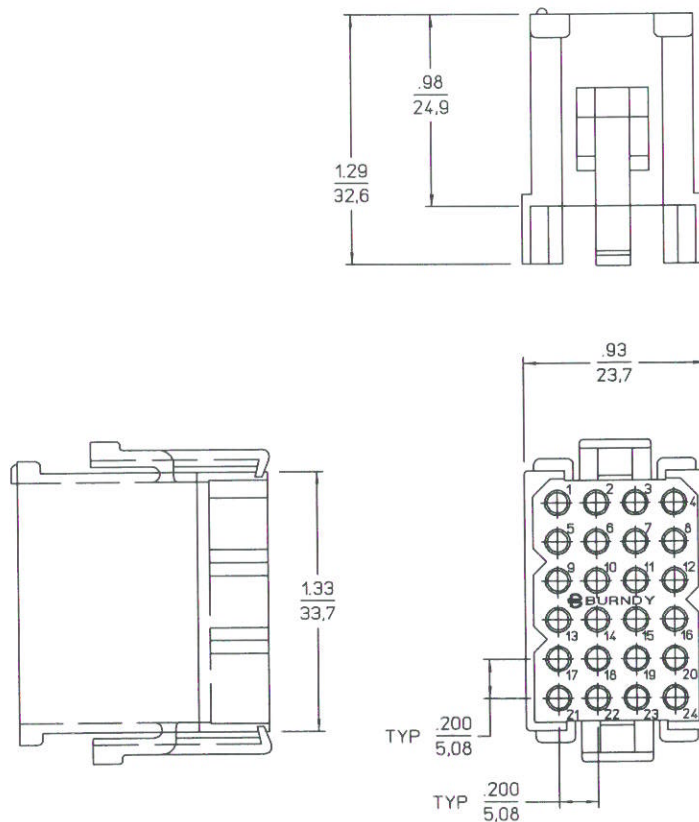




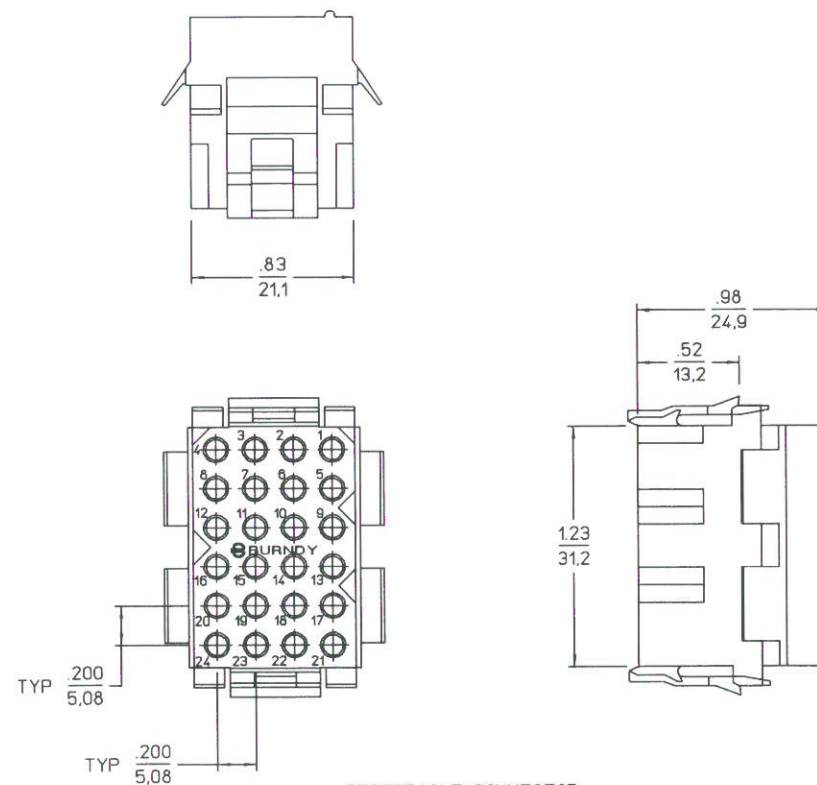
PLUG CONNECTOR
SMS/SMV18P-1_...



RECEPTACLE CONNECTOR
SMS/SMV18R-1_...



PLUG CONNECTOR
SMS/SMV24P-1_...



RECEPTACLE CONNECTOR
SMS/SMV24R-1_...

LINEAR MEASURE: INCH mm	
THIRD ANGLE PROJECTION	
- TOLERANCES - UNLESS OTHERWISE SPECIFIED	
NO OF DECIMAL PLACES IN INCHES	INCH [mm]
ONE PLACE	±.1 [±3]
TWO PLACES	±.02 [±0.5]
THREE PLACES	±.005 [±0.13]
ANGLES ±1°	

REV	ALL REVISIONS RECORDED ON SH 1	BY	CHKD	DATE
-----	--------------------------------	----	------	------

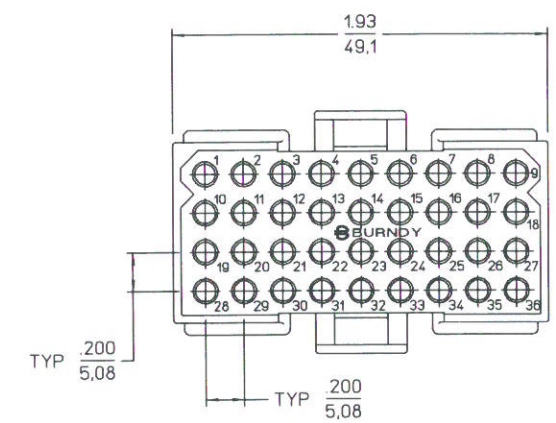
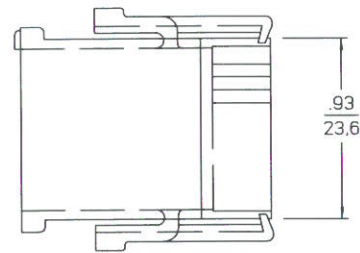
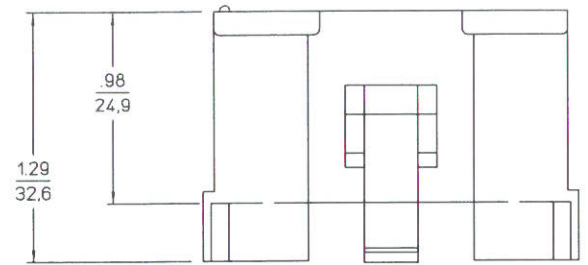
QIKMATE™ RECTANGULAR CONNECTOR

GAT NO SMS/SMV_P/R-1 (SEE TABLE SHEET 1)

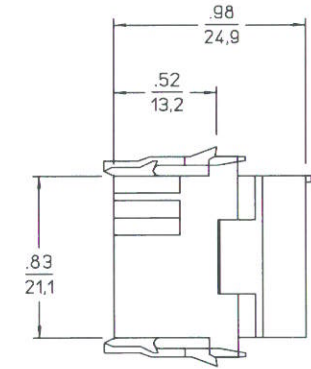
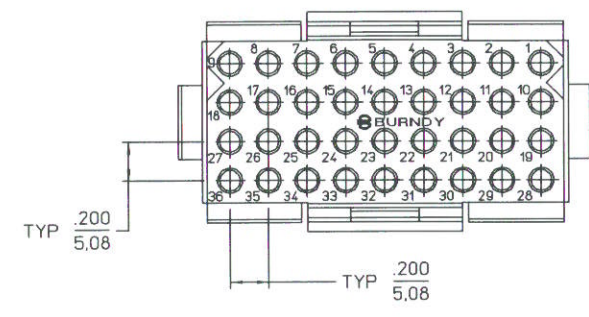
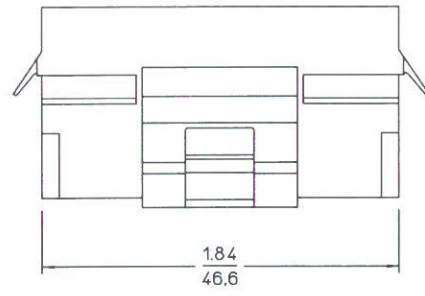
DWG RELEASED TO CENTRAL FILE 10-28-94	DRWN CEB 02-27-79
CAGE NO 09922 ECN 3129 PC 732	CHKD SFP 03-14-79
© BURNDY CORPORATION 1993	DSGN D.L. 03-22-79
	MKT MG 10-27-94
	QC SJ 10-27-94



DRAWING NO	REV
SE72097	16
SHEET 5 OF 7	



PLUG CONNECTOR
SMS/SMV36P-1_...



RECEPTACLE CONNECTOR
SMS/SMV36R-1_...

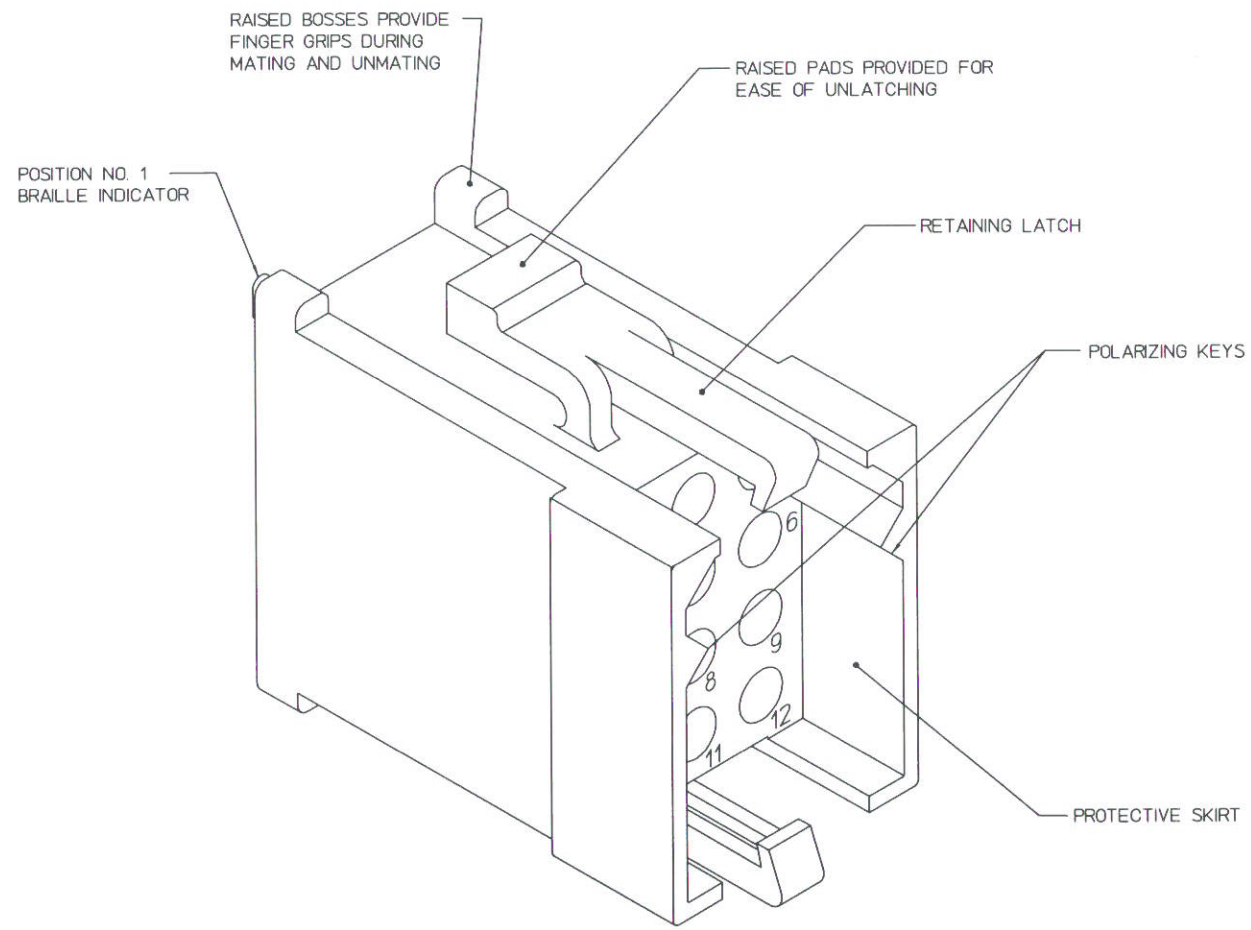
—	ALL REVISIONS RECORDED ON SH 1	—	—	—
REV	REVISION DESCRIPTION	BY	CHKD	DATE

QIKMATE™ RECTANGULAR CONNECTOR
CAT NO SMS/SMV_P/R-1 (SEE TABLE SHEET 1)

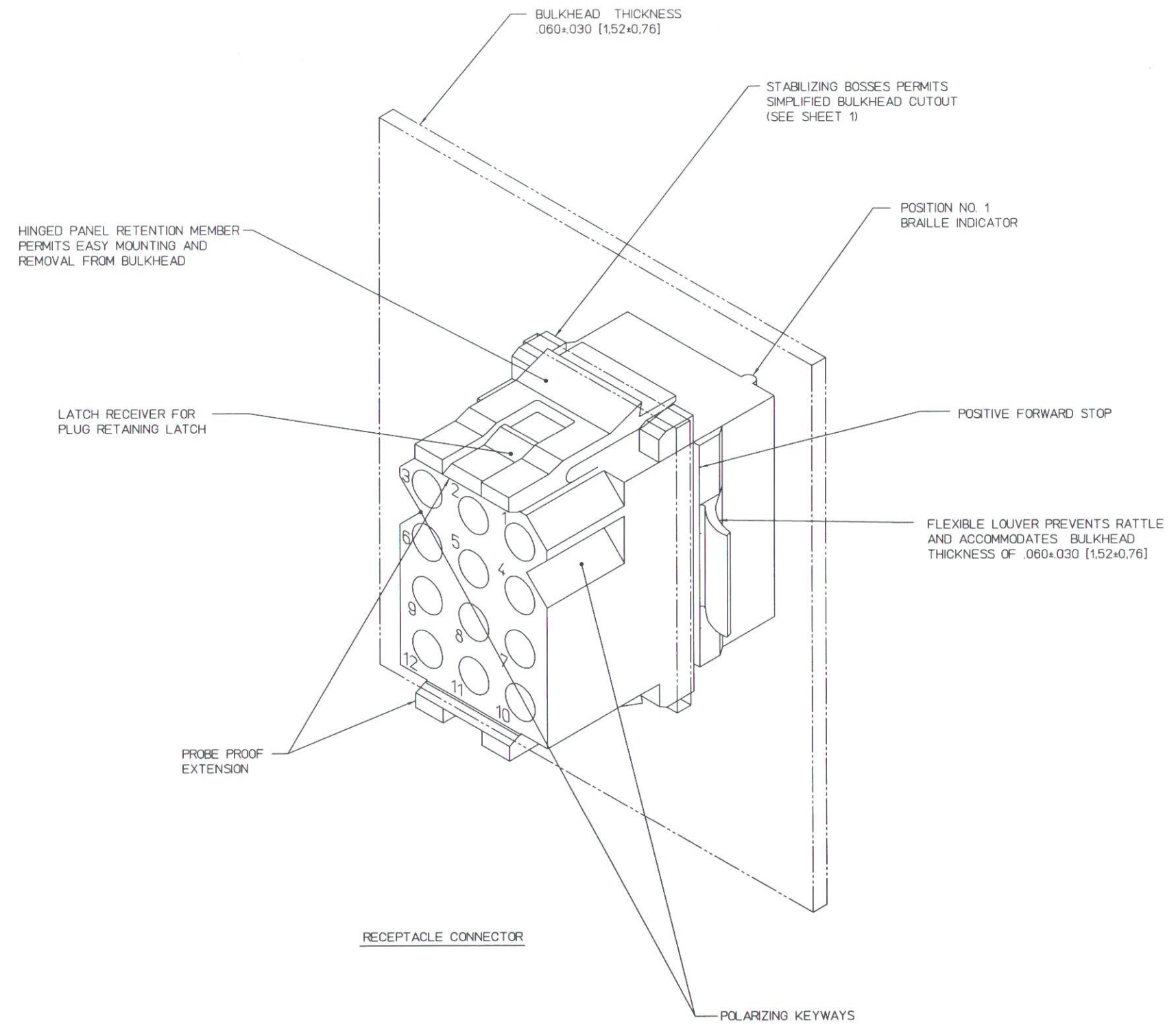
LINEAR MEASURE: INCH mm	
THIRD ANGLE PROJECTION	
- TOLERANCES - UNLESS OTHERWISE SPECIFIED	
NO OF DECIMAL PLACES IN INCHES	INCH [mm]
ONE PLACE	±.1 [±3]
TWO PLACES	±.02 [±0.5]
THREE PLACES	±.005 [±0.13]
ANGLES ±1°	

DWG RELEASED TO CENTRAL FILE 10-27-94		APR DRWN JOHN B 2-1-79
CAGE NO 09922	ECN 3129	PC 732
© BURNDY CORPORATION 1993		CHKD SFP 03-14-79
		DSGN D.L. 03-22-79
		MKT MG 10-27-94
		QC SJ 10-27-94
		DRAWING SCALE 2:1
DRAWING NO	REV	
SE72097	16	
SHEET 6 OF 7		





PLUG CONNECTOR



RECEPTACLE CONNECTOR

---	ALL REVISIONS RECORDED ON SH 1	---	---	---
REV	REVISION DESCRIPTION	BY	CHKD	DATE

QIKMATE™ RECTANGULAR CONNECTOR				
CAT NO SMS/SMV__P/R-1__ (SEE TABLE SHEET 1)				
DWG RELEASED TO CENTRAL FILE 10-27-94				
CAGE NO 09922	ECN 3129	PC 732		
© BURNDY CORPORATION 1993				
DRWN	PGP 07-17-72			
CHKD	RWO 07-19-72			
DSGN	RWO 07-19-72			
MKT	MG 10-27-94			
QC	SJ 10-27-94			
DRAWING SCALE 4:1				
DRAWING NO		REV		
SE72097		16		
SHEET 7 OF 7				

LINEAR MEASURE: INCH [mm]	
mm	INCH [mm]
THIRD ANGLE PROJECTION	
- TOLERANCES -	
UNLESS OTHERWISE SPECIFIED	
NO OF DECIMAL PLACES IN INCHES	INCH [mm]
ONE PLACE	±.1 [±3]
TWO PLACES	±.02 [±0.5]
THREE PLACES	±.005 [±0.13]
ANGLES ±1°	

