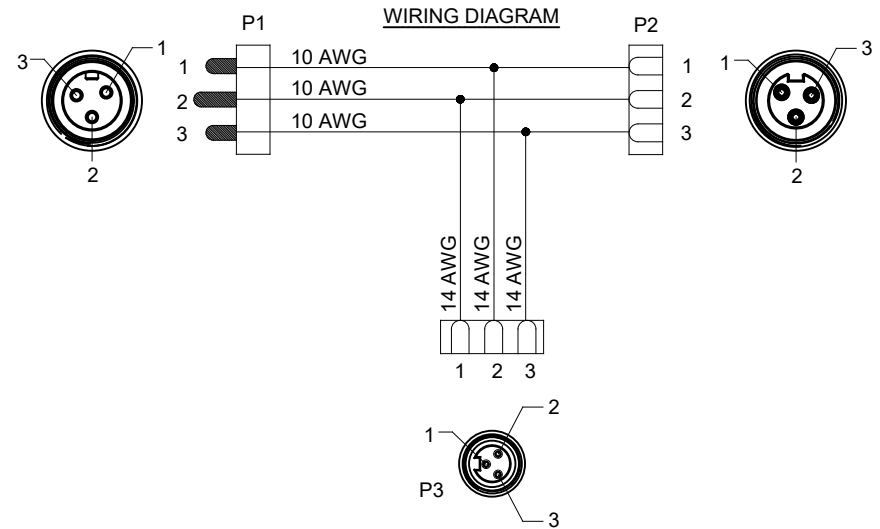


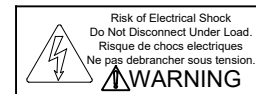
REVISIONS					
REV	ECO	DESCRIPTION	DATE	BY	APPR
A1	-	TECHNICAL DATA SHEET RELEASE	12-MAY-14	KMM	RFC
B1	-	REVISED THE WIRING DIAGRAM	16-MAY-18	MRF	AA



TECHNICAL DATA:

- MATERIALS:**  
 COUPLING NUT: MACHINED ALUMINUM, ANODIZED  
 INSULATION INSERT: THERMOPLASTIC, UL 94/V-0  
 CONTACT: GOLD FLASH PLATING OVER COPPER ALLOY  
 OVERMOLD MATERIAL: THERMOPLASTIC COLOR: BLACK  
 CONDUCTOR INSULATION: PVC
- ELECTRICAL DATA:**  
 CURRENT (MAX): 15A  
 VOLTAGE (MAX): 600V AC/DC  
 INSULATION RESISTANCE (MIN): 5000M OHMS  
 DIELECTRIC TEST VOLTAGE: 2200V  
 SHORT CIRCUIT AMPERAGE RATING: 65kA - BREAKERS AND FUSES
- MECHANICAL DATA:**  
 TEMPERATURE RANGE: -40°C TO 90°C  
 PROTECTION: IP67 (MATED CONDITION)  
 MATING CYCLES: >500  
 VIBRATION RESISTANCE PER MIL-STD-202 METHOD 204  
 THERMAL SHOCK PER MIL-STD-202 METHOD 207  
 48 HOUR SALT SPRAY PER MIL-STD-202 METHOD 101
- RoHS COMPLIANT**
- UL 2237 LISTED ASSEMBLY**  
 UL FILE NUMBERS: E339703

Amphenol P/N	MOLEX	TURCK
P28970	TC30130-200	GSDM/GKDM/RKM34



PART NUMBER		DESCRIPTION		ITEM
P28970		M35 PB LITE, 3 PIN, REDUCING TEE, BLACK		
<b>MATERIALS LIST</b>				
UNLESS OTHERWISE SPECIFIED		SIGNATURES	DATE	<p>Sine Systems - www.amphenol-sine.com            44724 Morley Drive            Clinton Township, MI 48036</p>
1) All dimensions are in metric (mm). 2) Tolerances are as follows: 1 PL DEC ±0.30   Fractions ±1/64 2 PL DEC ±0.15   Angles ±1° 3 PL DEC ±0.08		DRAWN: KMM	12-MAY-14	
3) Note reference =		CHECKED: MRF	12-MAY-14	
MATERIAL SPECIFICATIONS:		ENGINEER: KMM		
PROCESS SPECIFICATIONS:		APPROVAL: RFC	12-MAY-14	<b>M35 PB LITE, 3 PIN, REDUCING TEE, BLACK</b> <b>M35 - M35 - M22</b>
NEXT ASSY:		CUSTOMER:		
THIS DRAWING IS SUPPLIED FOR INFORMATION ONLY. DESIGN FEATURES, SPECIFICATIONS AND PERFORMANCE DATA SHOWN HEREON ARE THE PROPERTY OF THE AMPHENOL CORPORATION. NO RIGHTS OF REPRODUCTION ARE IMPLIED. ALL DIMENSIONS ARE SUBJECT TO NORMAL MANUFACTURING VARIATIONS.		SIZE: C-	TYPE: P28970	REVISION: B1
		SCALE: HALF	C-P28970	SHEET 1 OF 1

TITLE: M35 PB LITE, 3 PIN, REDUCING TEE, BLACK  
 DWG NO: C-P28970  
 REV: B1  
 SH: 1  
 OF: 1