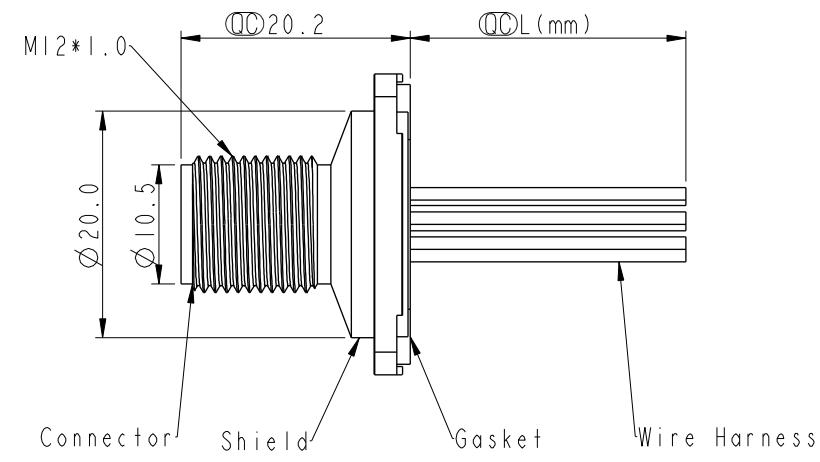
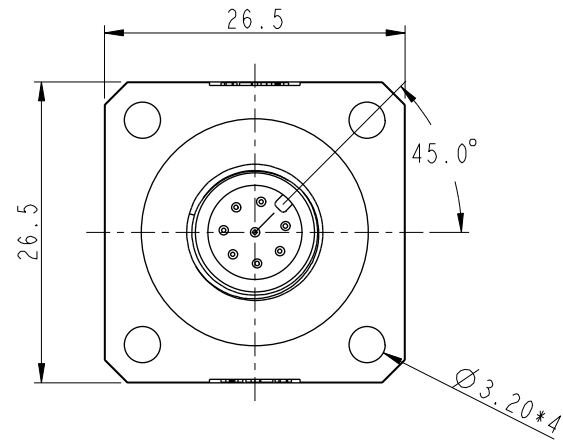
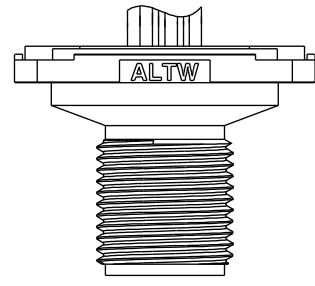


THIS DOCUMENT IS SUBJECT TO CHANGE WITHOUT NOTICE. IT IS CONFIDENTIAL AND A PROPERTY OF Amphenol LTW. DISCLOSURE TO THIRD PARTY HAS TO BE AUTHORIZED BY Amphenol LTW.

REV.	ECN NO.	DATE	SIGN	DESCRIPTION
A		2022-07-08	Jiahe Lin	Rev.03 To Rev.A



M12A-XXPMMS-SS8EXX
 XX: No. Of Pin

15: 150mm
 20: 200mm
 .
 95: 950mm
 Cable Pitch Unit=50mm
 A0: 1000mm
 .
 A5: 1500mm
 Cable Pitch Unit=100mm
 Wire Length (L): 150~1500 mm

- Note:
- * RoHS Compliant
 - * \varnothing Important dimension
 - * Waterproof rate: IPX8, unmated 1m/24h
 - * Connector
 - Housing: Thermoplastic, Black
 - Pin: Copper alloy, Gold plated
 - * Shield: Metal
 - * Gasket: Rubber, Dark Gray
 - * Wire: UL1061
 - * Wire harness tolerance:
 - 100mm < L ≤ 300mm: ±15mm
 - 300mm < L ≤ 1000mm: ±20mm
 - 1000mm < L ≤ 1500mm: +50/-0mm

UNIT: mm		TITLE		ITEM NO		DRAWN BY		DATE	
		N SEN, M12 A, SCREW		M12A-XXPMMS-SS8EXX		Jiahe Lin		2022-07-08	
		SCALE	SIZE	SHEET	OF	CHECKED BY	DATE		
TOLERANCE	.X ±0.25 .XX ±0.1 .XXX ±0.05 ANGLES ±1°	2:1	A4	1	Allen Pan	2022-07-08			
REV. A		WC-REV. A.6	\varnothing : Inspection item		CUSTOMER	APPROVED BY	DATE		
					ALTW	Fred Lee	2022-07-08		

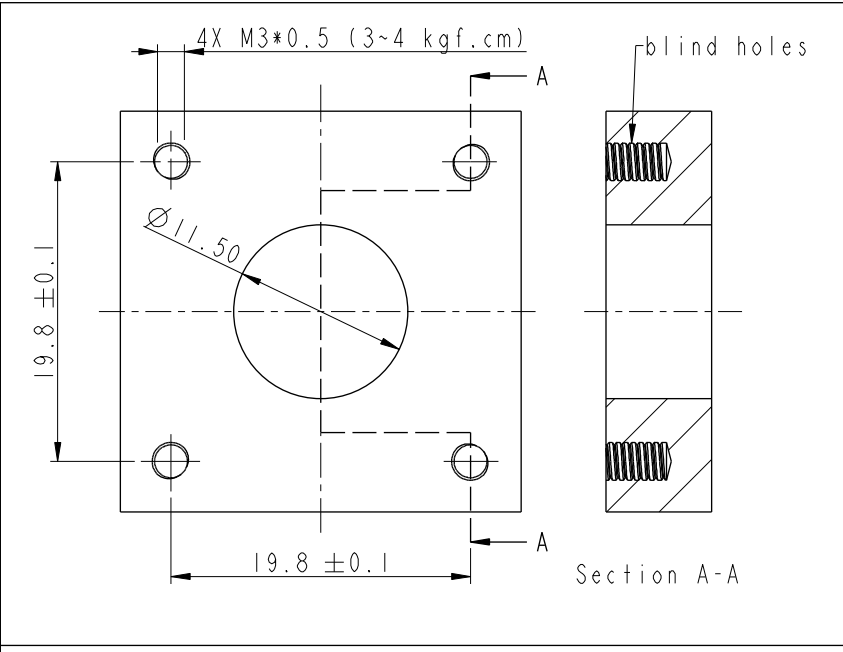
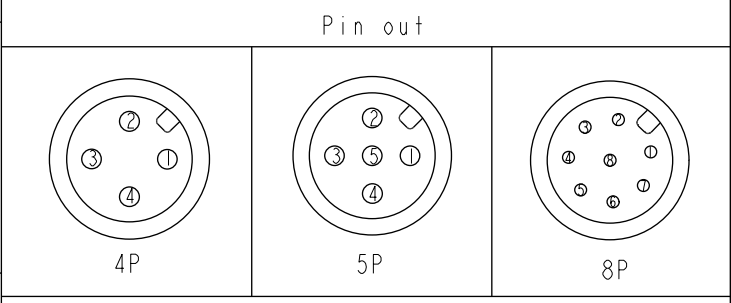
Amphenol LTW
 安費諾亮泰企業股份有限公司

THIS DOCUMENT IS SUBJECT TO CHANGE WITHOUT NOTICE. IT IS CONFIDENTIAL AND A PROPERTY OF Amphenol LTW. DISCLOSURE TO THIRD PARTY HAS TO BE AUTHORIZED BY Amphenol LTW.

8P	24	MI2A-08PMMS-SS8EXX
5P	22	MI2A-05PMMS-SS8EXX
4P		MI2A-04PMMS-SS8EXX
Contacts	AWG	Item No.

F
E
D
C
B
A

4	Black	黑	5	Gray	灰	8	Red	紅
3	Blue	藍	4	Black	黑	7	Blue	藍
2	White	白	3	Blue	藍	6	Pink	粉
1	Brown	棕	2	White	白	5	Gray	灰
			1	Brown	棕	4	Yellow	黃
						3	Green	綠
						2	Brown	棕
						1	White	白
Pin #	Wire		Pin #	Wire		Pin #	Wire	



Pin Assignment Front View

Recommended Panel Cut-Out

UNIT: mm		TITLE N SEN, M12 A, SCREW
TOLERANCE .X ±0.25 .XX ±0.1 .XXX ±0.05 ANGLES ±1°	SCALE 2:1	SIZE A4
	REV. A	SHEET 2 OF 2
	WC-REV. A.6	QC: Inspection item

Amphenol LTW
安費諾亮泰企業股份有限公司

ITEM NO	DRWN BY	DATE
DWG NO MI2A-XXPMMS-SS8EXX	Jiahe Lin	2022-07-08
CUSTOMER ALTW	CHEKED BY Allen Pan	DATE 2022-07-08
	APPROVED BY Fred Lee	DATE 2022-07-08