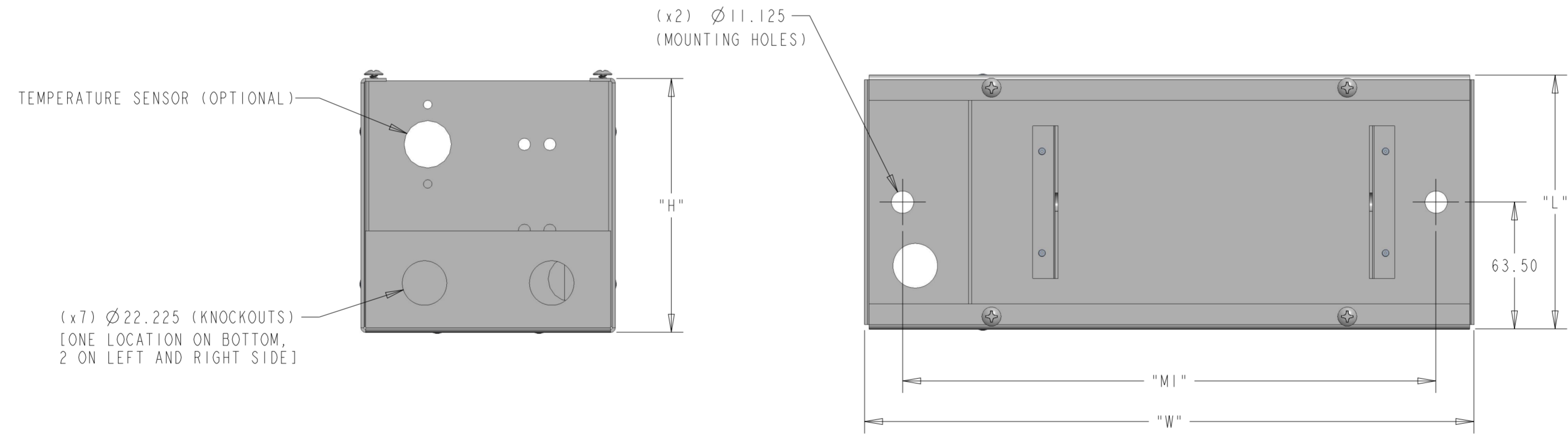
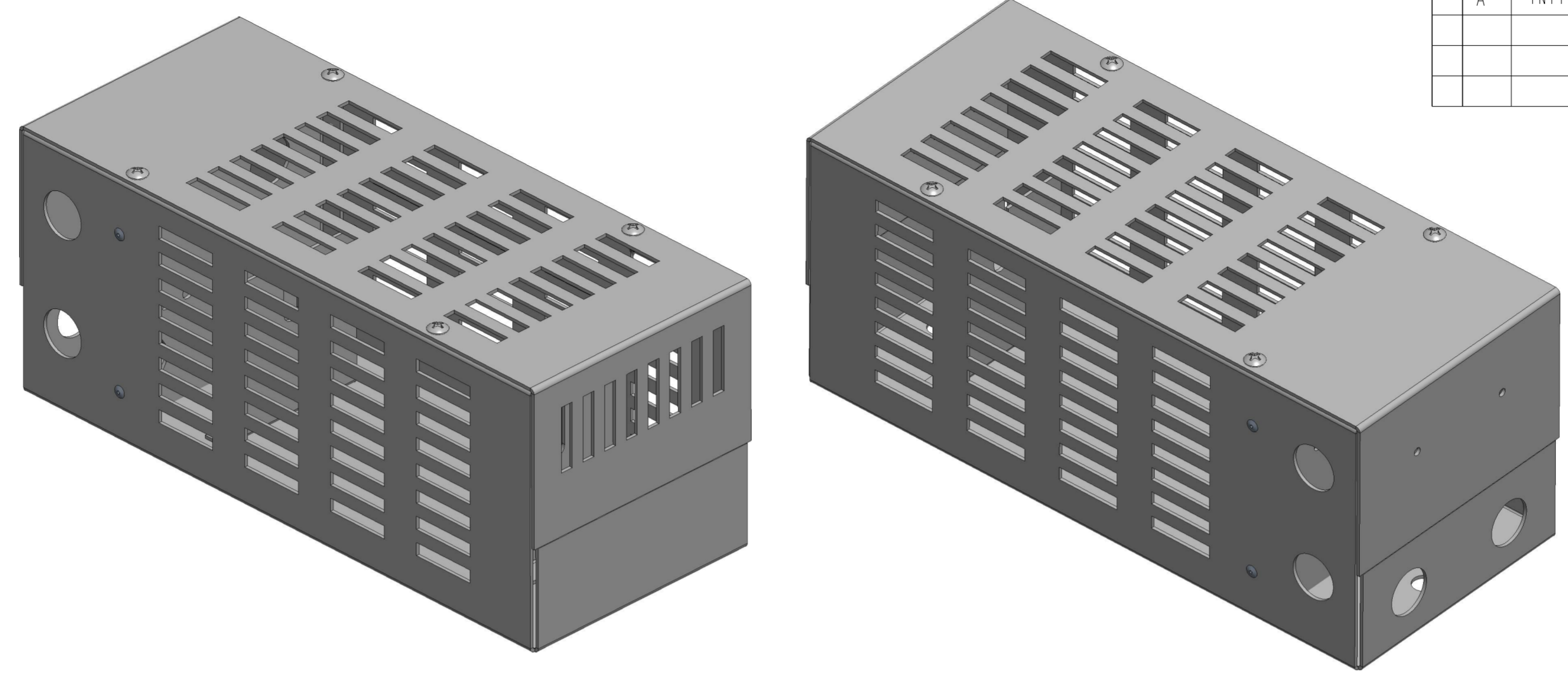


REVISIONS				
P	LTR	DESCRIPTION	DATE	APVD
A		INITIAL RELEASE	07OCT2021	KS AP

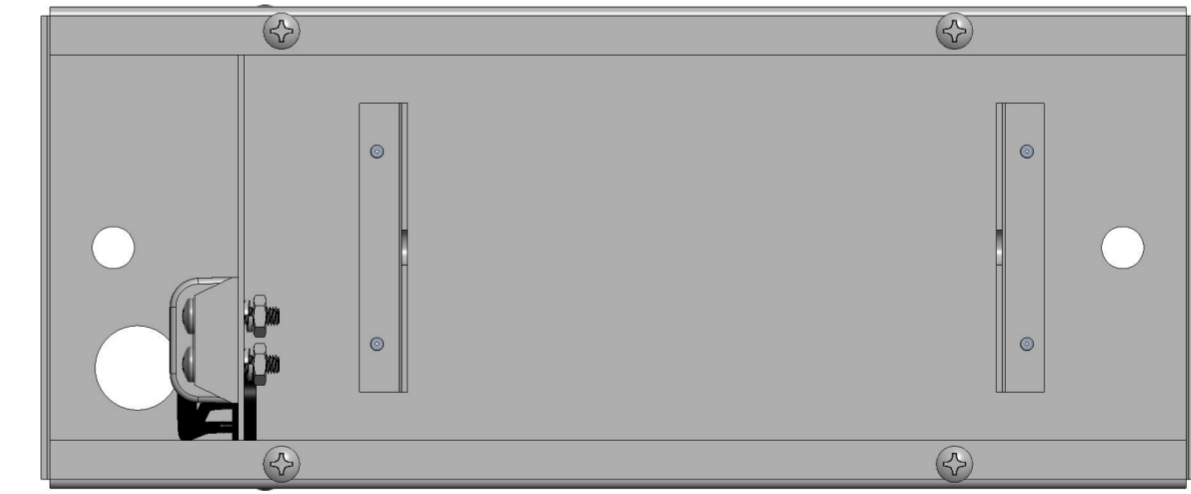
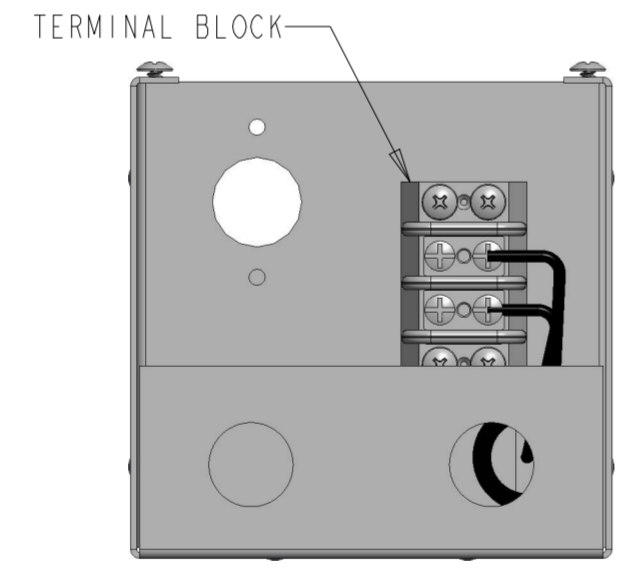
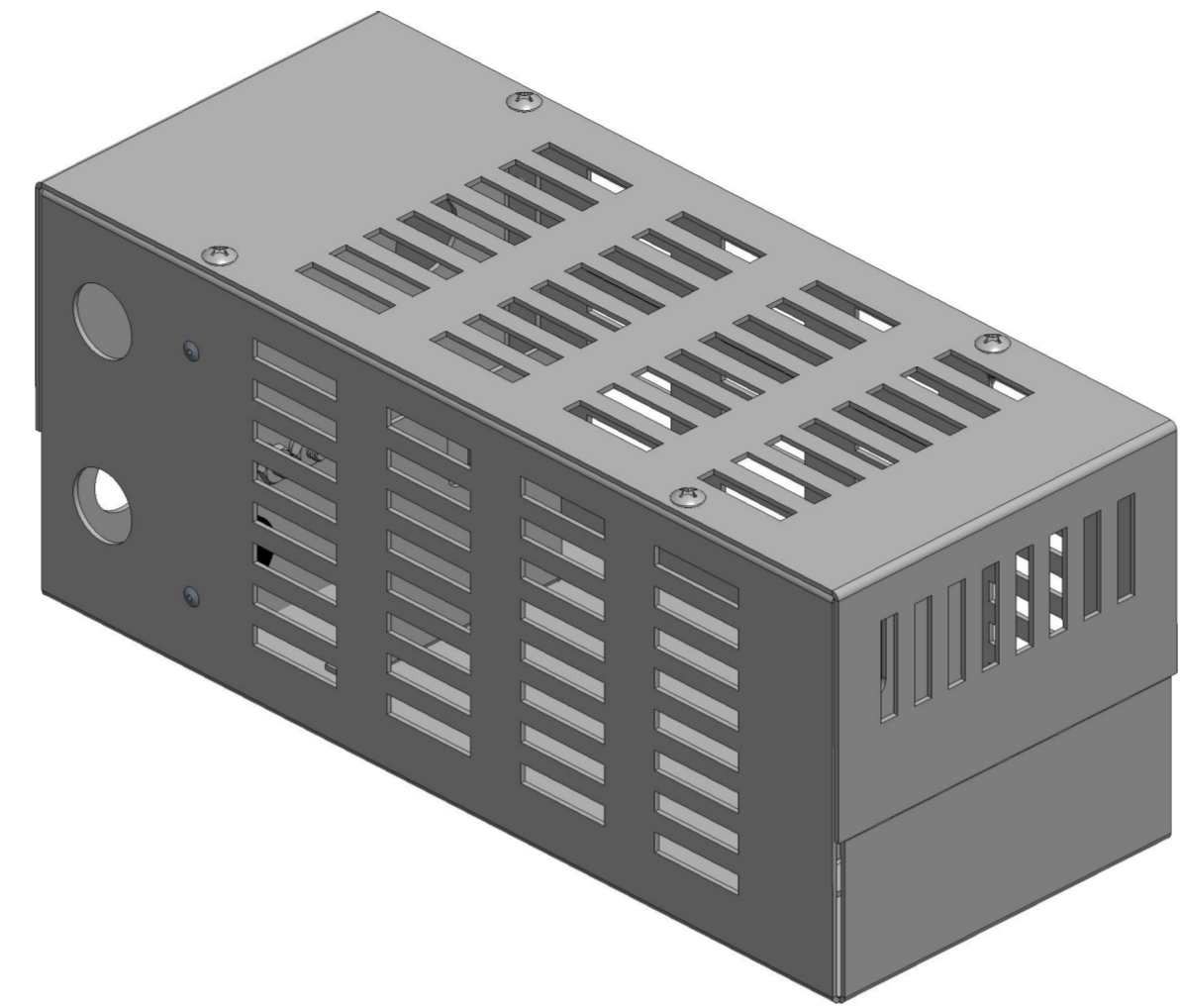



PART NUMBER	W (mm)	L (mm)	H (mm)	MI (mm)	TOTAL RESISTANCE	H.P.	DUTY CYCLE	DRIVE VOLTAGE	BRAKING TORQUE
HPBA005DIK0050E	305	127	127	267	1000 Ohms ± 10%	0.5	50%	460 V	150%

NOTE:
1. FOR FURTHER TECHNICAL INFORMATION PLEASE SEE THE DATASHEET FOR THE HPBA SERIES

THIS DRAWING IS A CONTROLLED DOCUMENT.		DWN S. KARTHIK 08.09.2021	TE Connectivity	
DIMENSIONS: mm		CHK ALLAN PILE 08.09.2021		
TOLERANCES UNLESS OTHERWISE SPECIFIED:		APVD ALLAN PILE 08.09.2021	NAME BRAKING RESISTOR ASSEMBLY TYPE HPBA SERIES HPBA005DIK0050E	
0 PLC ± 1 PLC ± 2 PLC ±0.50 3 PLC ±0.500 4 PLC ± ANGLES ± FINISH -		PRODUCT SPEC -	SIZE A2	RESTRICTED TO -
MATERIAL -		APPLICATION SPEC -	CAGE CODE 00779	DRAWING NO 3-2176470-1
		WEIGHT -	SCALE 1:2	SHEET 1 OF 2
		CUSTOMER DRAWING	REV A	

REVISIONS				
P	LTR	DESCRIPTION	DATE	APVD
		SEE SHEET 1		



THIS DRAWING IS A CONTROLLED DOCUMENT.		DWN S. KARTHIK 08.09.2021	 TE Connectivity															
DIMENSIONS: mm		CHK ALLAN PILE 08.09.2021																
TOLERANCES UNLESS OTHERWISE SPECIFIED:		APVD ALLAN PILE 08.09.2021	NAME BRAKING RESISTOR ASSEMBLY TYPE HPBA SERIES HPBA005DIK0050E															
<table border="1"> <tr><td>0 PLC</td><td>±</td></tr> <tr><td>1 PLC</td><td>±</td></tr> <tr><td>2 PLC</td><td>±0.50</td></tr> <tr><td>3 PLC</td><td>±0.500</td></tr> <tr><td>4 PLC</td><td>±</td></tr> <tr><td>ANGLES</td><td>±</td></tr> <tr><td>FINISH</td><td>-</td></tr> </table>		0 PLC	±	1 PLC	±	2 PLC	±0.50	3 PLC	±0.500	4 PLC	±	ANGLES	±	FINISH	-	PRODUCT SPEC -	SIZE A2	CAGE CODE 00779
0 PLC	±																	
1 PLC	±																	
2 PLC	±0.50																	
3 PLC	±0.500																	
4 PLC	±																	
ANGLES	±																	
FINISH	-																	
MATERIAL -		APPLICATION SPEC -	DRAWING NO C-3-2176470-1	RESTRICTED TO -														
		WEIGHT -	SCALE 1:2 SHEET 2 OF 2 REV A															
		CUSTOMER DRAWING																