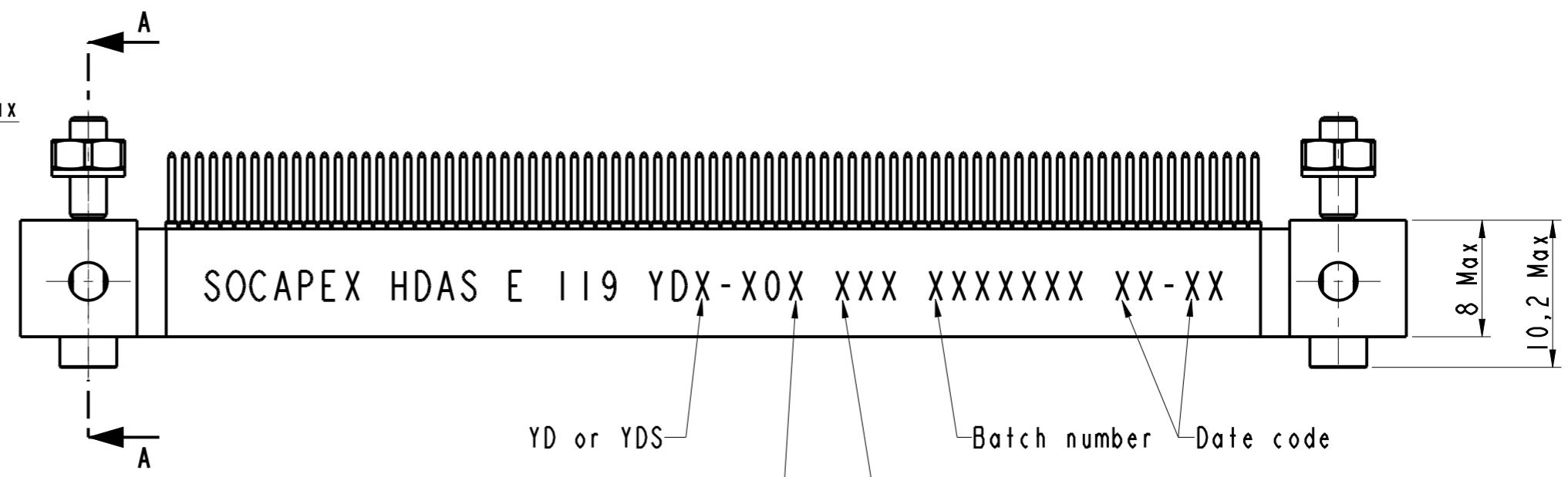
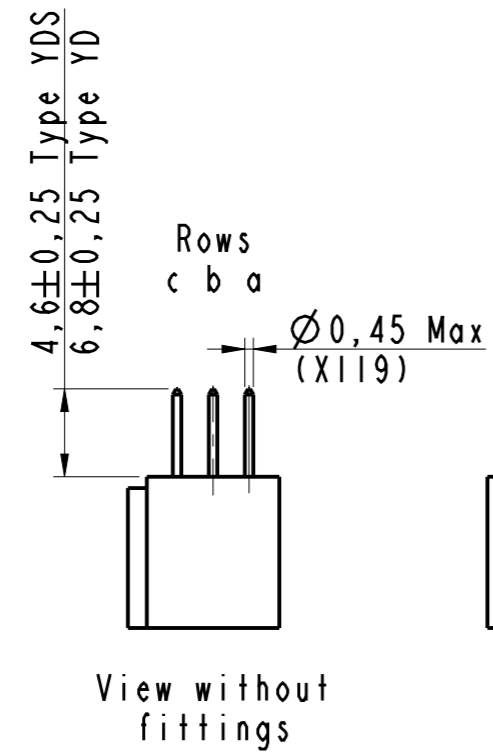
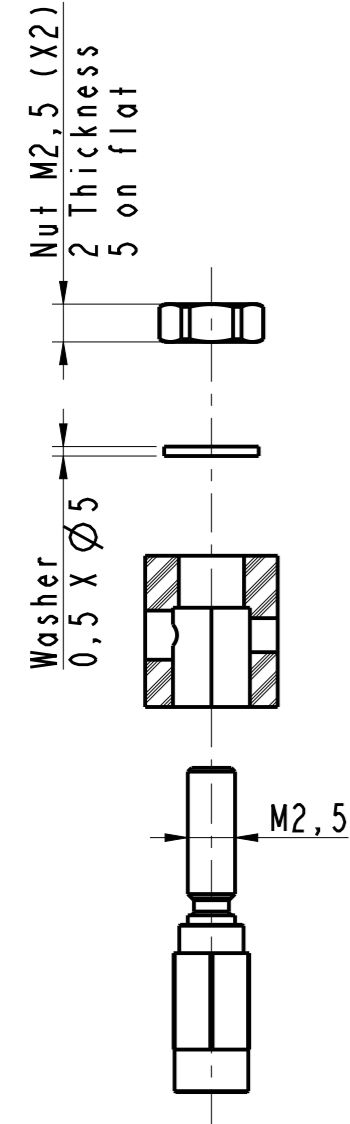
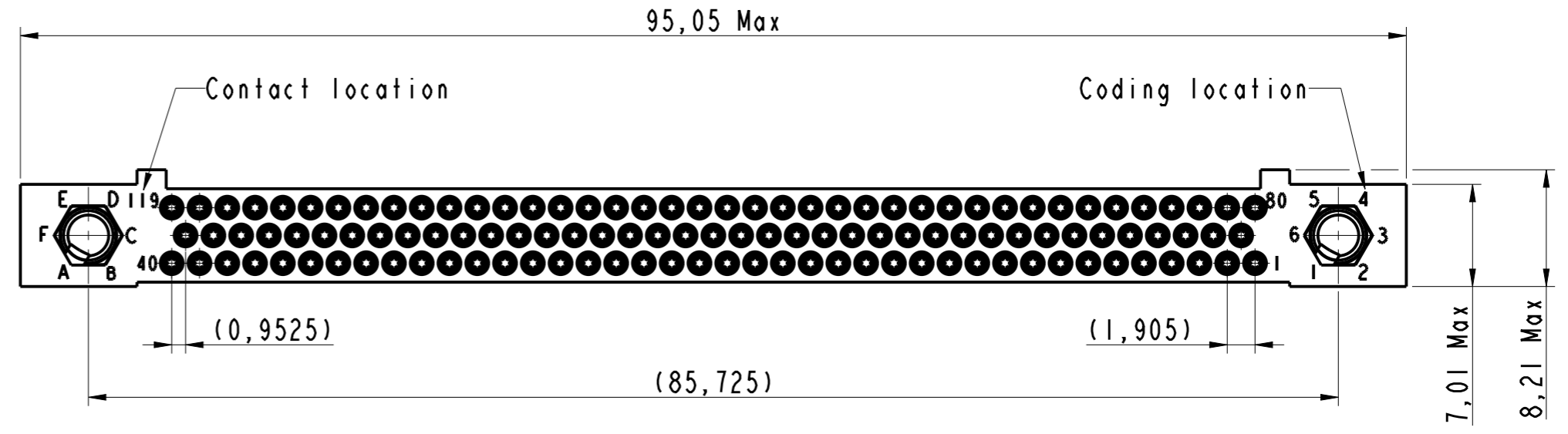
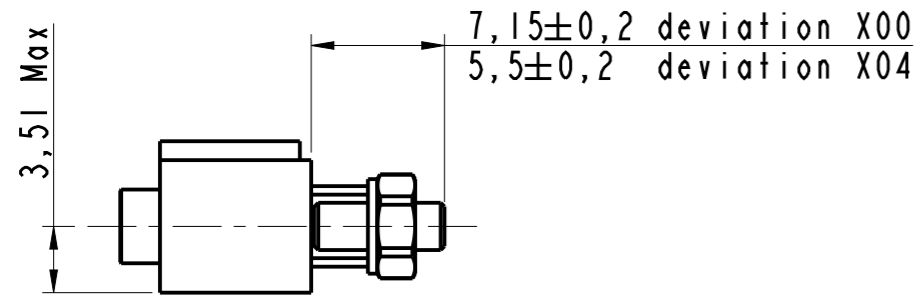


IN THE CONSTANT PURPOSE OF IMPROVING ITS PRODUCTS, AMPHENOL SOCAPEX RESERVES THE RIGHT TO MODIFY ANY DIMENSION OR CHARACTERISTICS.  
FM.NPD.0036.THYEZ.PUNE rev C



YD or YDS → X00 or X04 → LF: Pure Sn bright plating or LFM: Pure Sn matte plating or Nothing: SnPb plating → Batch number → Date code

Section A-A

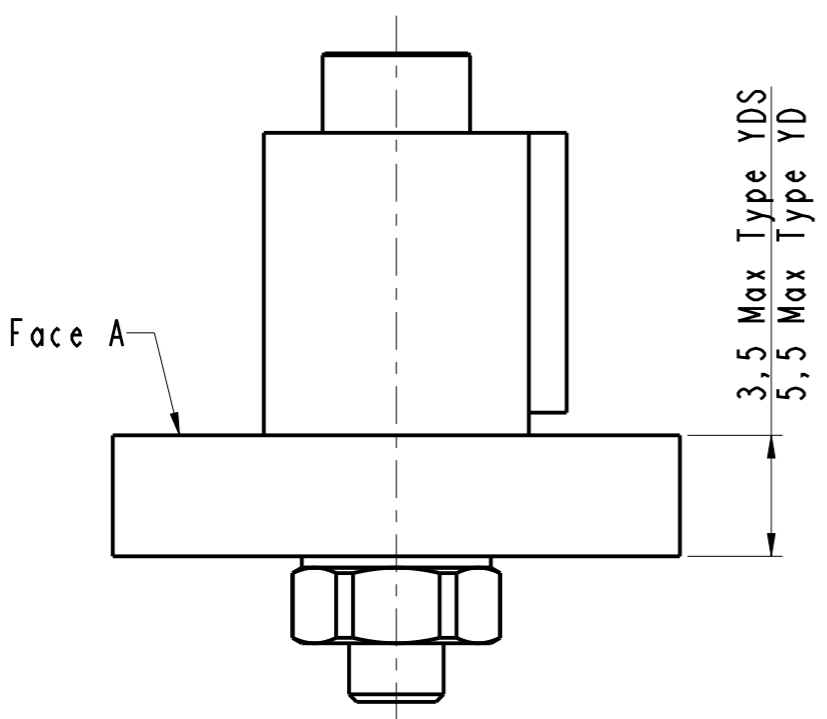
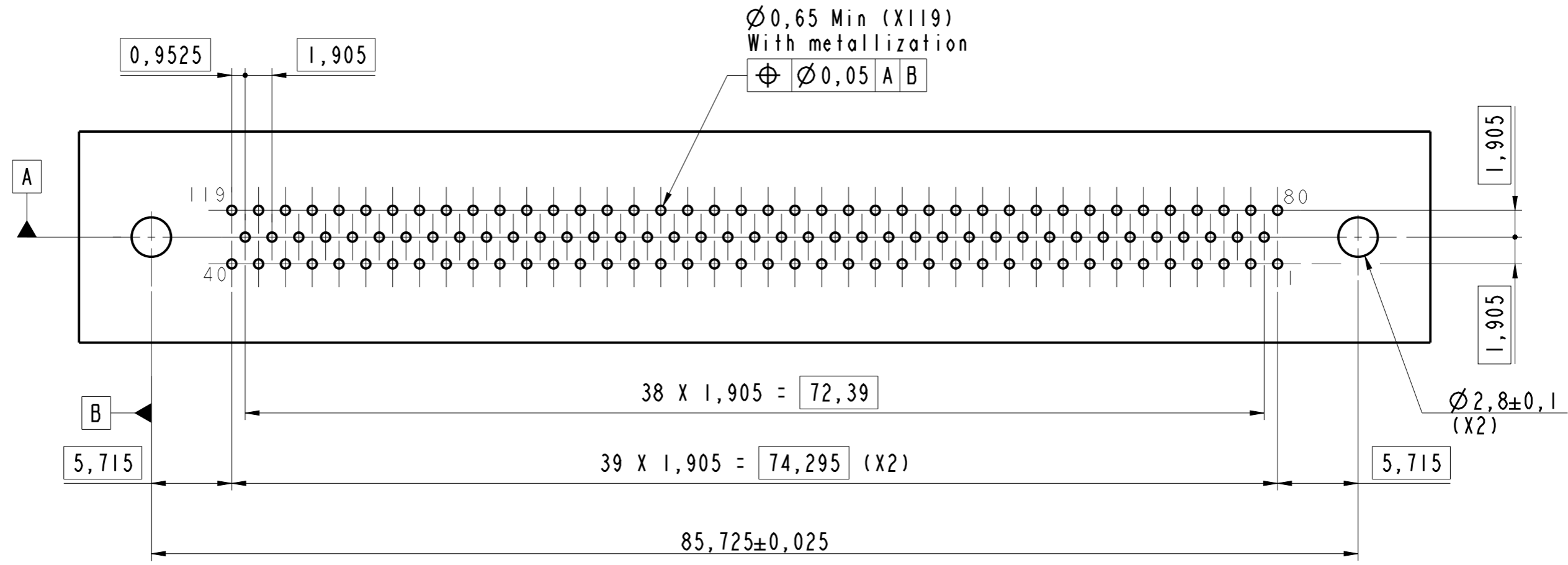
- Notes:
- Part: HDAS E 119 YDX-X0X XXX
  - External dimension of the receptacle insulator with 119 signal contacts type YDX
  - Connector delivered with fittings not assembled, coupling torque : 0,25 Nm
  - Standard 00X : Nickel plated over brass fittings  
Deviation 10X : Passivated stainless steel fittings.

# HDAS E 119 YDX-X0X XXX

DRAWN BY : Gimenes		UPDATED BY : S Satpute		LAST APPROVED BY : T Carrier	
ALL DIMENSIONS ARE IN MM	AMPHENOL SOCAPEX			ORIGINAL DRAWING DATE : 09/06/2006	CONFIGURATION DATA ARE AVAILABLE IN PDM
				SCALE : 2,5	REV : E
B.P. 29 74311 THYEZ CEDEX			169-PLC-503-00		

IN THE CONSTANT PURPOSE OF IMPROVING ITS PRODUCTS, Amphenol Socapex reserves the right to modify any dimension or characteristics. FM.NPD.0036.THYEZ.PUNE rev C

# PCB layout Face A



Scale 5



Scale 2

<h2>HDAS E 119 YDX-X0X XXX</h2>			
DRAWN BY : Gimenes		UPDATED BY : S Satpute	
LAST APPROVED BY : T Carrier			
ALL DIMENSIONS ARE IN MM	<b>AMPHENOL SOCAPEX</b>		ORIGINAL DRAWING DATE : 09/06/2006
SCALE : 3	B.P. 29 74311 THYEZ CEDEX		CONFIGURATION DATA ARE AVAILABLE IN PDM
		REV : E	PAGE : 2/2
<b>169-PLC-503-00</b>			