

# CGB4B3X5R1E105K055AB

TDK Item Description : CGB4B3X5R1E105KT\*\*\*\*

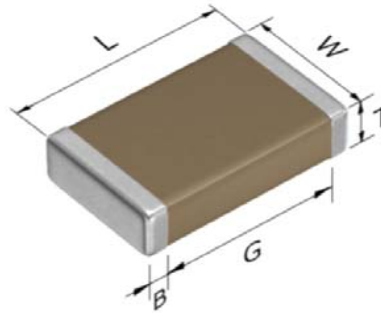


## Application & Main Feature

Commercial Grade ( Low Profile )

## Series

CGB4(2012) [EIA CC0805]



## Dimensions

- L 2.00mm +/-0.2mm
- W 1.25mm +/-0.2mm
- T 0.50mm +/-0.05mm
- B 0.20mm Min.
- G 0.50mm Min.

## Temperature Characteristic

X5R (-55 to 85 degC +/-15%)

## Rated Voltage

1E (25Vdc)

## Capacitance

1uF

## Capacitance Tolerance

K (+/-10%)

## Dissipation Factor

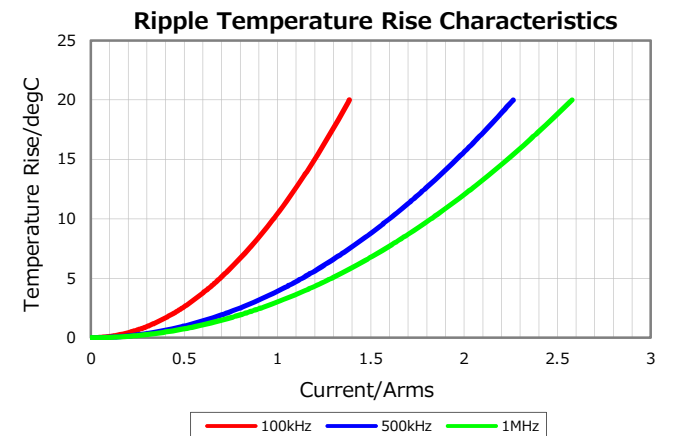
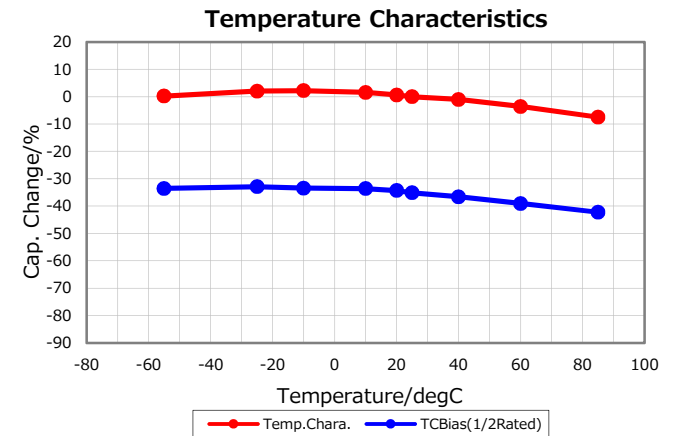
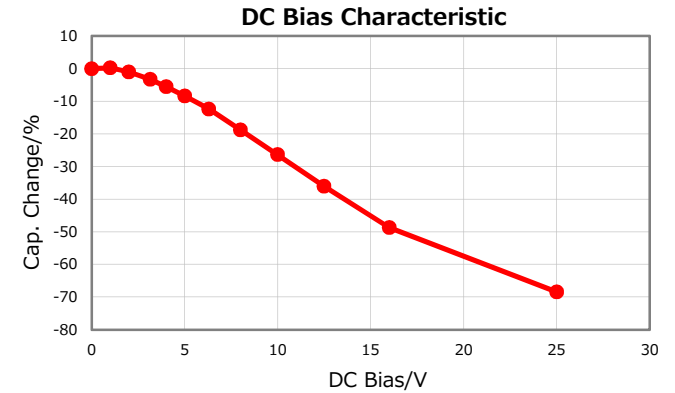
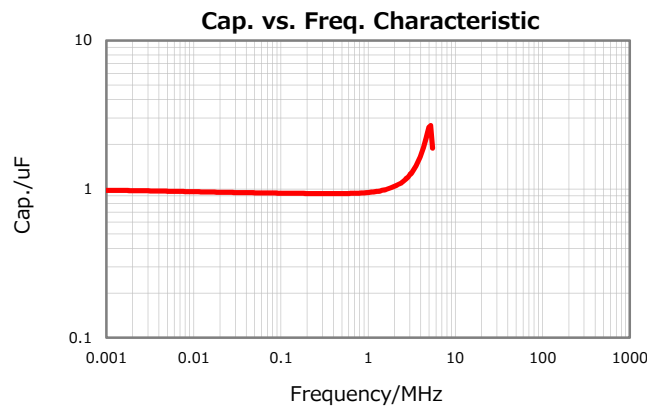
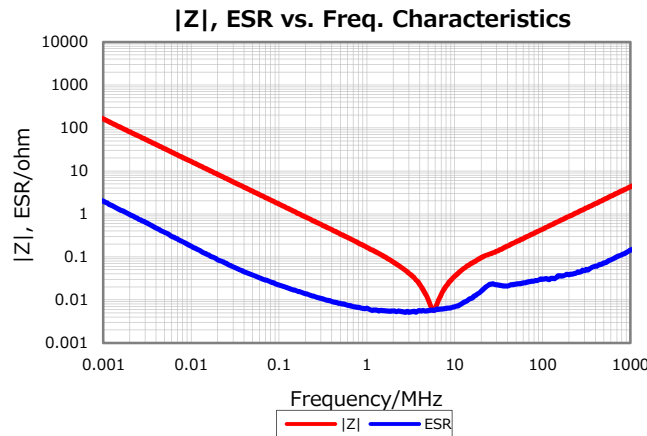
5% Max.

## Insulation Resistance

500Mohm Min.

## AEC-Q200

Not Applicable



Characterization Sheet ( Multilayer Ceramic Chip Capacitors )



All specifications are subject to change without notice.

November 27, 2018