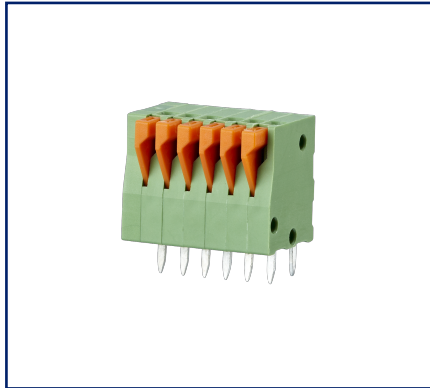
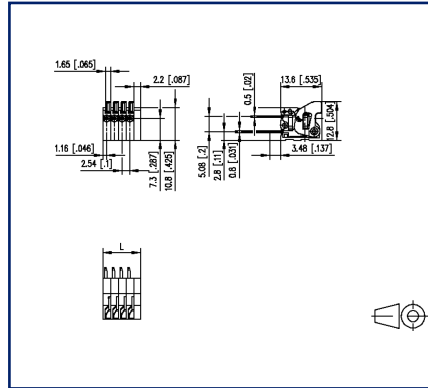


**Data sheet**  
**ST072xxVGNN AST082**

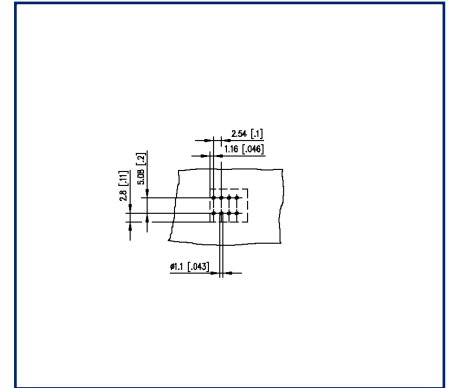
**Illustrations**



Dimensional drawing



Drill pattern



See enlarged drawings at the end of document

**Product specification**

- spring clamp terminal block, solderable, double solder pins
- centerline 2.54 mm, direction of connection vertical 0°
- color green
- push-button

## Technical Data



### General Data

Solder pin length	3.48 mm		
min. number of poles	2		
max. number of poles	24		
Insulating material class	CTI 600		
clearance/creepage dist.	2 mm		
Protection category	IP20		
Min. insul. strip length	10 mm		
Rated current	6 A		
Overvoltage category	III	III	II
Pollution degree	3	2	2
Rated voltage	10 V	200 V	200 V
Rated test voltage	1.5 kV	1.5 kV	1.5 kV

### Terminal data

rat.wiring solid AWGmax	0.2 mm <sup>2</sup> - 0.5 mm <sup>2</sup> / AWG 26 - AWG 20		
rat.wiring strand.AWGmax	0.2 mm <sup>2</sup> - 0.5 mm <sup>2</sup> / AWG 26 - AWG 20		

### Approvals

 V / A / AWG	150 / 6 / 26 - 20		
approval UL - File No.	E121004		
 0.5 mm <sup>2</sup>	130 V / 6 A / T60		

### Material

insulating material	PA66
flammability class	V0
spring material	Spring steel
contact material	CuSn
Contact surface	Sn
Glow-Wire Flammability GWFI	960 °C acc. to IEC 60695-2-12
Glow-Wire Flammability GWIT	775 °C acc. to IEC 60695-2-13

### Climatic Data

upper limit temperature	105 °C
lower limit temperature	-40 °C

# U | Contact

Data sheet  
**ST072xxVGNN AST082**

Page 3/5

**P/N**  
**AST082xx**  
**xx=number of poles**  
2023/03/21  
Version: C

## Technical Data

### general

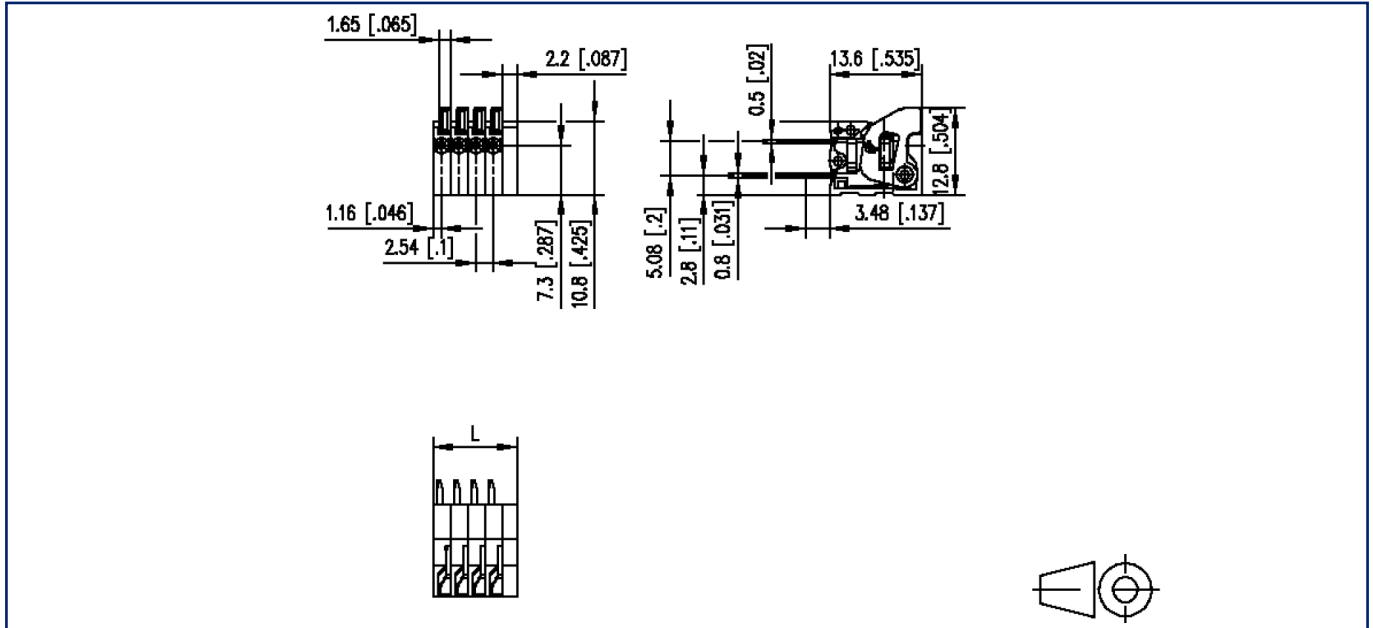
Tolerance	ISO 2768 -mH
Solderability	Acc. to JEDEC JESD22-B102E 245°C/5s

© 2023 METZ CONNECT - Technische Änderungen vorbehalten! Subject to modifications! Sous réserve de modifications techniques!



**Illustrations**

Dimensional drawing



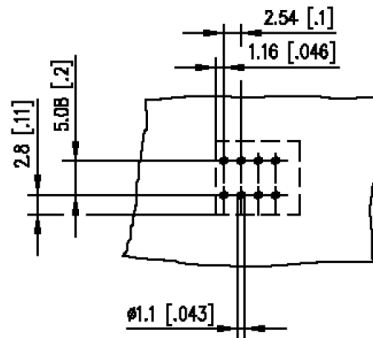
$L = (\text{pole size} - 1) \times \text{centerline} + 4.74 \text{ mm} [0.187]$

© 2023 METZ CONNECT - Technische Änderungen vorbehalten! Subject to modifications! Sous réserve de modifications techniques!



**Illustrations**

Drill pattern



© 2023 METZ CONNECT - Technische Änderungen vorbehalten! Subject to modifications! Sous réserve de modifications techniques!

