



ANATECH ELECTRONICS INC
RF & Microwave Filters & Products

831.5 / 876.5 MHz Ceramic Duplexer

Part Number: AM831-876D1011



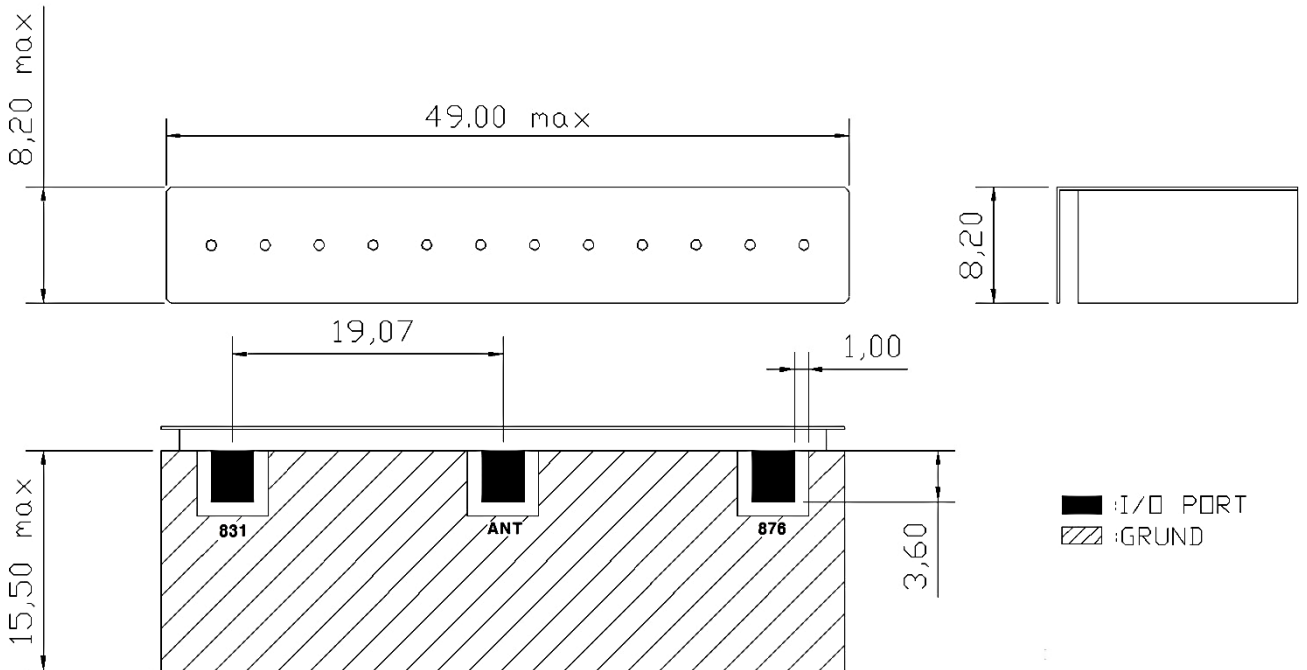
| | Band 1 | Band 2 | | |
|--------------------------|---------------|--------------|--------------|-------------|
| Center Frequency | 831.5 MHz | 876.5 MHz | | |
| Bandwidth | Fo ±17.5 MHz | Fo ±17.5 MHz | | |
| Insertion Loss | 3.0 dB max. | 3.0 dB max. | | |
| Ripple in BW | 2.0 dB max. | 2.0 dB max. | | |
| Return Loss | 15 min | | | |
| Attenuation | Frequency | Attenuation | Frequency | Attenuation |
| | 859 ~ 894 MHz | 35 dB min | 814~ 849 MHz | 35 dB min |
| In/Out Impedance | 50 Ω | | 50 Ω | |
| Input Power (Max) | 3W | | 3W | |

| | |
|-------------------------|----------------------|
| Mechanical | |
| Mounting Method: | SMT |
| Dimensions: | 49 x 15.50 x 8.20 mm |

| | |
|-------------------------------|------------------|
| Environmental | |
| Operating Temperature: | -20 to +70 deg.C |
| Storage Temperature: | -50 to +90 deg.C |

This product is RoHs compliant.

Outline Drawing:





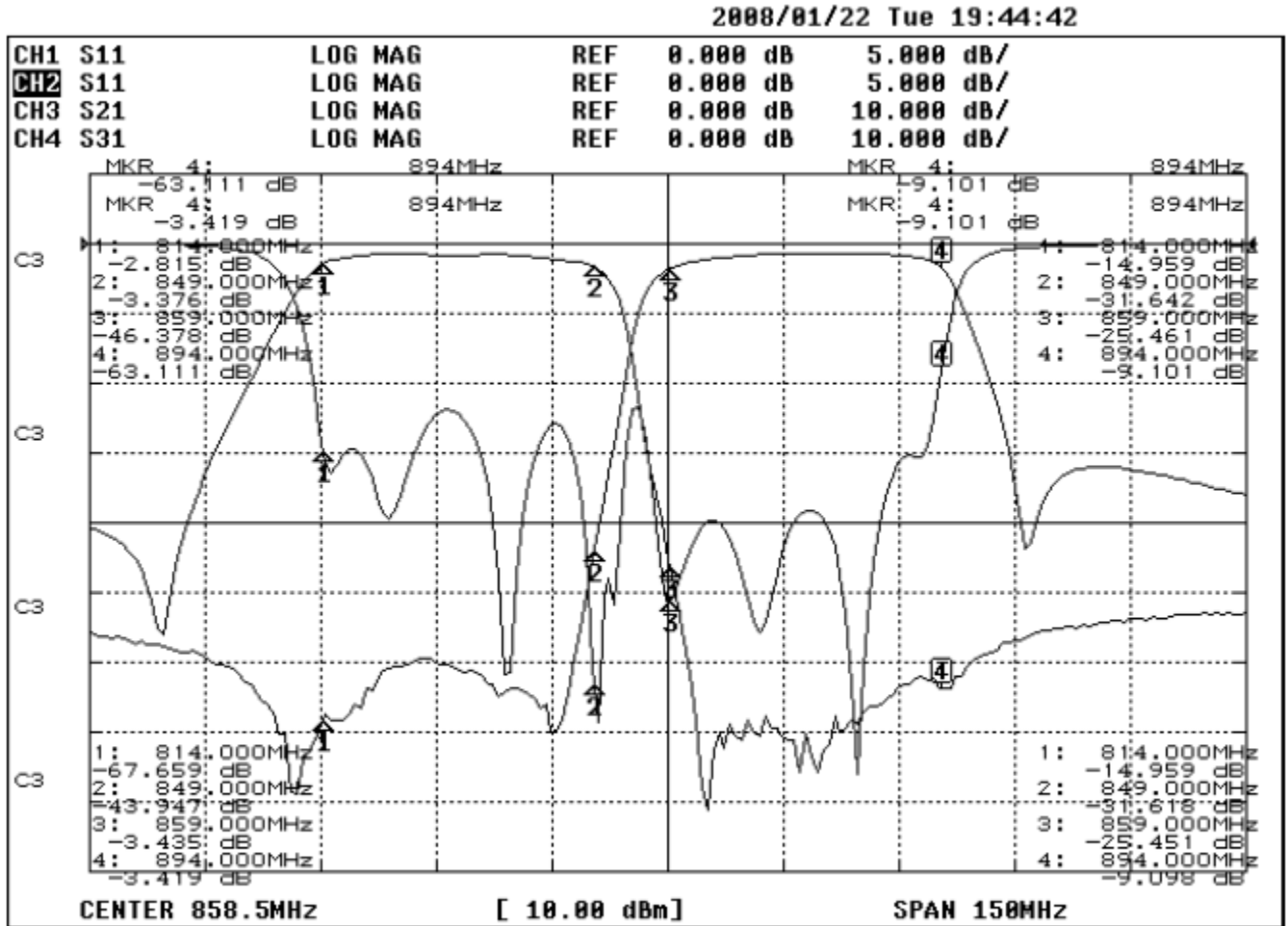
ANATECH ELECTRONICS INC
RF & Microwave Filters & Products

831.5-876.5 MHz Ceramic Duplexer

Part Number: AM831-876D1011



Response Plot:



Available at our Web store:



70 Outwater Lane Phone: (973) 772-4242
Garfield, NJ 07026 Fax : (973) 772-4646

Email: sales@anatechelectronics.com
Web: www.anatechelectronics.com

www.amcrf.com