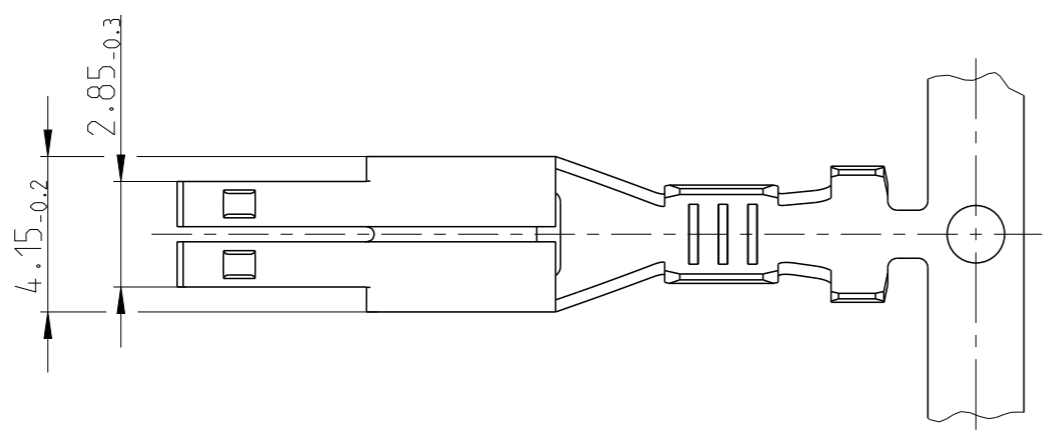
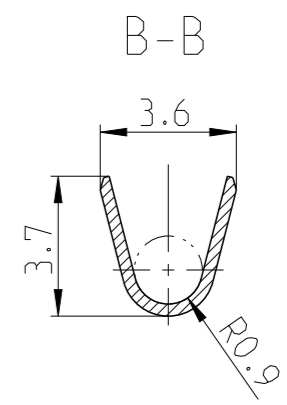
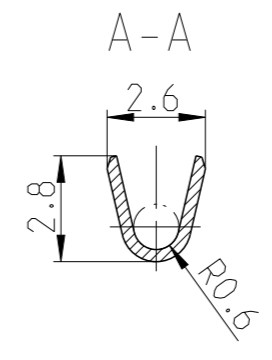
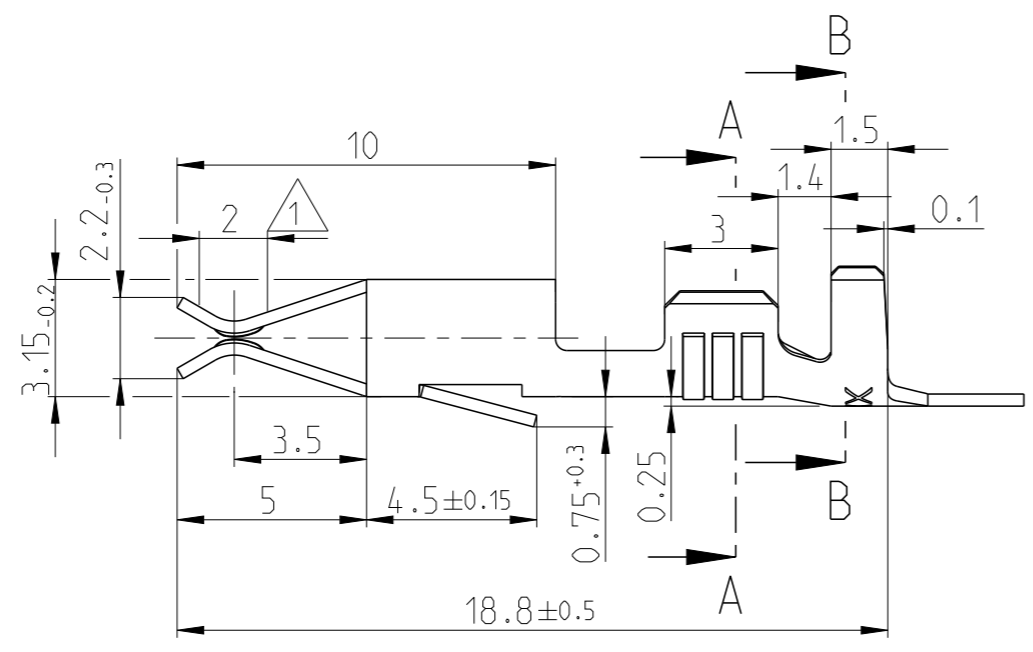


THIS DRAWING IS UNPUBLISHED. RELEASED FOR PUBLICATION 2013
 © COPYRIGHT 2013 Tyco Electronics AMP GmbH ALL RIGHTS RESERVED.

LOC	DIST	REVISIONS					
		P	LTR	DESCRIPTION	DATE	DWN	APVD
A1	-	F2		REVISED BY ECO-11-005294	06APR2011	HMR	-
		F3		New CAD drawing created.	20JUN2013	Kirs.	Eder
		F4		ECR-15-012070	13AUG2015	JB JH	BK
		F5		E-22-140044	23MAY2022	SH	SK



- 1 IN CRIMP AREA TIN PLATED
Im Crimpbereich verzinkt
- 2 CONTACT BODY: PRE SILVER min. 0.8 μm
CONTACT AREA: PRE SILVER min. 3 μm
Kontaktkoerper: vorversilbert min. 0.8 μm
Kontaktzone: vorversilvert min. 3 μm

CONDUCTOR CROSS-SECTION IN mm ² Leitungsquerschnitt in mm ²		SINGLE CONNECTION Einzelanschlag					
		0.35	0.50	0.75	1.00	1.50	2.00
0.35		X	X				
0.50	X	X	X				
0.75	X						
1.00	X						
1.50							
2.00							

WIRE SIZE RANGE: 0.5-1.0mm²
 Drahtgroessenbereich: 0.5-1.0mm²
 CRIMPING CONDUCTOR: FLKY WIRE
 CONDUCTOR: F-CRIMP
 INSULATION: OVERLAPPING CRIMP
 angeschlagener Leiter: FLKY Leitung
 Leiter: F-Crimp
 Isolation: Ueberlappungscrimp

F5	DISCONTINUED	PRE SILVER	CuSn4 H04	927845-5	E
		SELECTIVE GOLD	CuZn30	927845-4	E
		PRE TIN	CuSn4 H04	927845-3	E
		PRE TIN	CuZn30	927845-2	E
		PRE TIN	CuZn30	927845-1	E
	FINISH	MATERIAL	STRIP PART	REV	

THIS DRAWING IS A CONTROLLED DOCUMENT.		DWN Herth	17 JUL 1984	STE TE Connectivity	
DIMENSIONS: mm		CHK Herth	17 JUL 1984		
TOLERANCES UNLESS OTHERWISE SPECIFIED: ±0.2		APVD C.Goepfel	20 JUN 2013	NAME JUNIOR-TIMER CONTACT Junior-Timer Kontakt	
MATERIAL -		PRODUCT SPEC -		SIZE A3	CAGE CODE 00779
FINISH -		APPLICATION SPEC -		DRAWING NO C-927845	RESTRICTED TO -
		WEIGHT -		SCALE 5:1	SHEET 1 OF 1
		Customer Drawing			REV F5