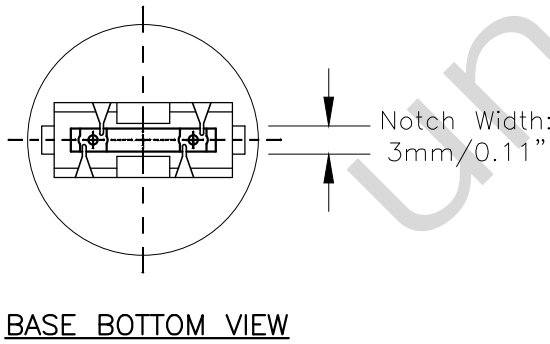
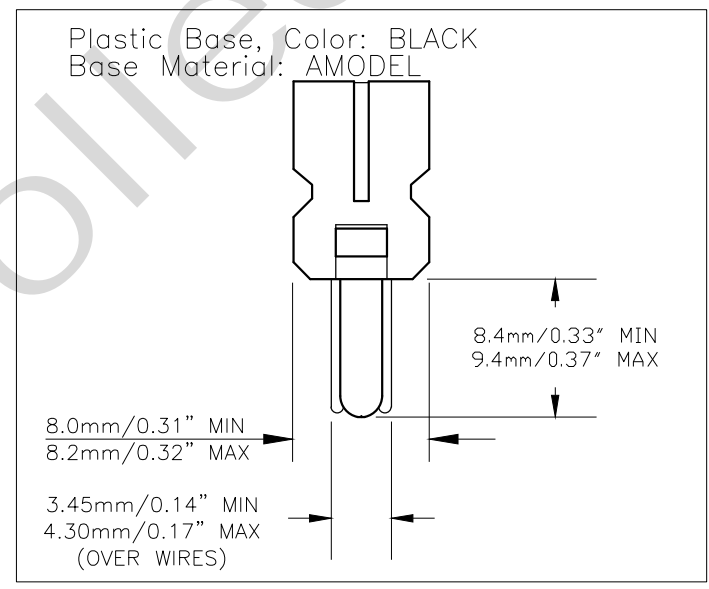
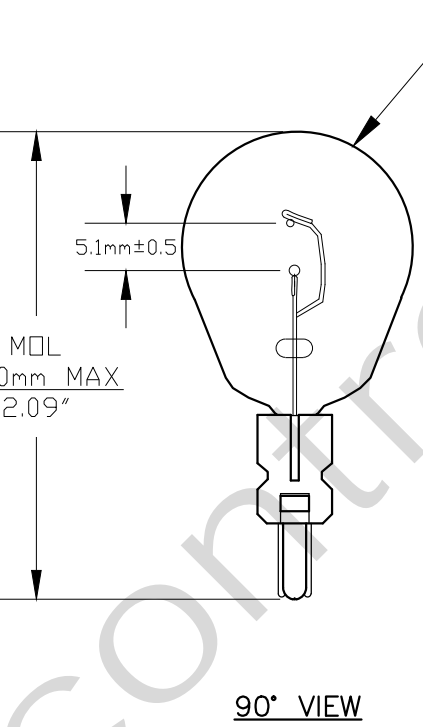
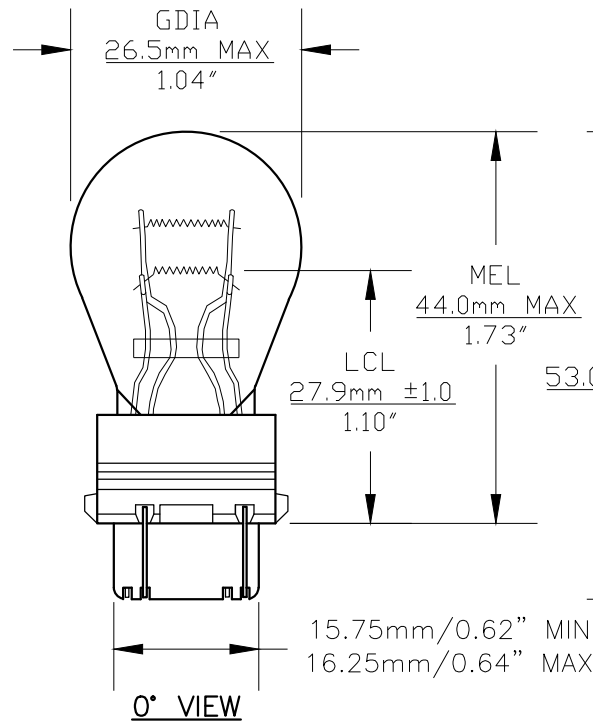




PART NO.	BASE TYPE	DESIGN VOLTS	DESIGN AMPS	MSCD	FILAMENT TYPE	AVERAGE LIFE HOURS	REVISIONS			
							REV #	DESCRIPTION	DATE	APPROVED
4157LL	D.F. Plastic Wedge W2.5X16q	12.8V 14.0V	2.23 ±5% 0.59 ±8%	32±10% 3 ±12%	C-6 C-6	4,000 10,000	1	ISSUED	06/26/2006	D.C.
							2	REVISED TOP AMPS/ADDED FILAMENT DISTANCE	03/23/2018	R.M.
							3	ADDED BASE MATERIAL/REVISED LIFE	03/05/2020	R.M.



Note: Made according to SAE specifications



UNLESS OTHERWISE SPECIFIED: DIMENSIONS ARE IN INCHES TOLERANCES		CEC INDUSTRIES LTD			
DECIMALS	ANGULAR	599 BOND STREET		LINCOLNSHIRE, IL 60069	
.XX ± .05	± 0.5°				
.XXX ± .010					
FRACTIONAL	±1/64				
DRAWN D. C.	DATE 06/26/2006	TITLE LIGHT BULB NO. 4157LL			
CHECKED	SIZE A	FSCM NO.	DWG NO. 4157LL	REV 3	
DESIGN	SCALE	PLOT SCALE	SHEET 1 OF 1		
MATERIAL	FILE 4157LL.pdf	DRAWING NOT TO SCALE			