

Side element - UM-PRO 108 COVER-L BK - 2200155

Please be informed that the data shown in this PDF Document is generated from our Online Catalog. Please find the complete data in the user's documentation. Our General Terms of Use for Downloads are valid (<http://phoenixcontact.com/download>)


Lateral element (left) with mounting foot for DIN rails for UM-PRO profiles with a PCB width of 108 mm



Your advantages

- ✔ Item is from the UM-BASIC/UM-PRO product range
- ✔ PVC press-drawn section (UM-BASIC) or PA (UM-PRO)
- ✔ Available in individual lengths
- ✔ Available in the overall widths of 72 mm, 108 mm, and 122 mm
- ✔ Variety of connection technologies
- ✔ Can be mounted on the DIN rail

Key Commercial Data

Packing unit	10 pc
GTIN	 4 046356 547376
GTIN	4046356547376

Technical data

General

Housing type	Press-drawn section housings
Housing material	Polyamide
Color (RAL)	black

Ambient conditions

Ambient temperature (operation)	-40 °C ... 105 °C (depending on power dissipation)
---------------------------------	--

Dimensions

Length	15.5 mm
Height	40 mm
Width	127.8 mm

Side element - UM-PRO 108 COVER-L BK - 2200155

Technical data

Standards and Regulations

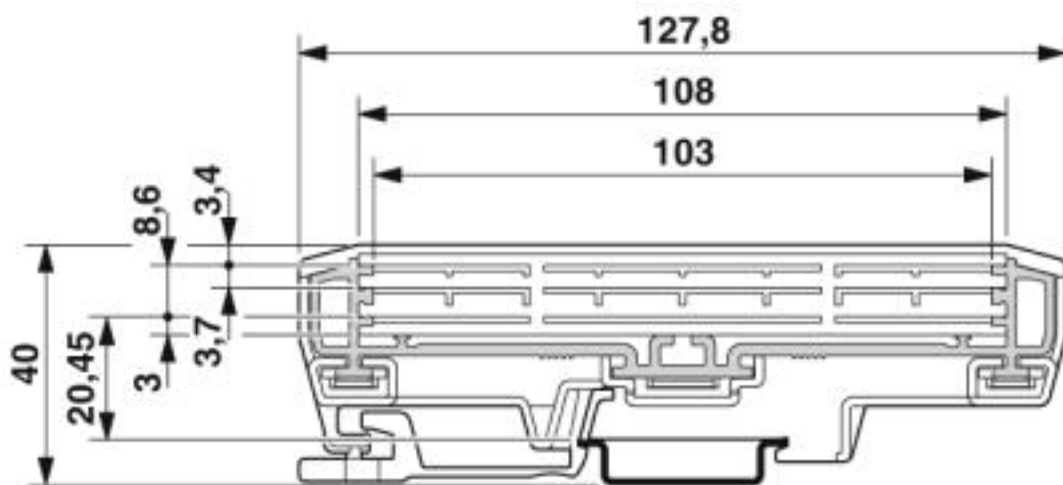
Flammability rating according to UL 94	V0
--	----

Environmental Product Compliance

China RoHS	Environmentally friendly use period: unlimited = EFUP-e
	No hazardous substances above threshold values

Drawings

Dimensional drawing



Approvals

Approvals

Approvals

UL Recognized / EAC

Ex Approvals

Approval details

UL Recognized		http://database.ul.com/cgi-bin/XYV/template/LISEXT/1FRAME/index.htm	FILE E 240868
---------------	--	---	---------------

Side element - UM-PRO 108 COVER-L BK - 2200155

Approvals

EAC



B.01742

Phoenix Contact 2019 © - all rights reserved
<http://www.phoenixcontact.com>

PHOENIX CONTACT GmbH & Co. KG
Flachsmarktstr. 8
32825 Blomberg
Germany
Tel. +49 5235 300
Fax +49 5235 3 41200
<http://www.phoenixcontact.com>