

4

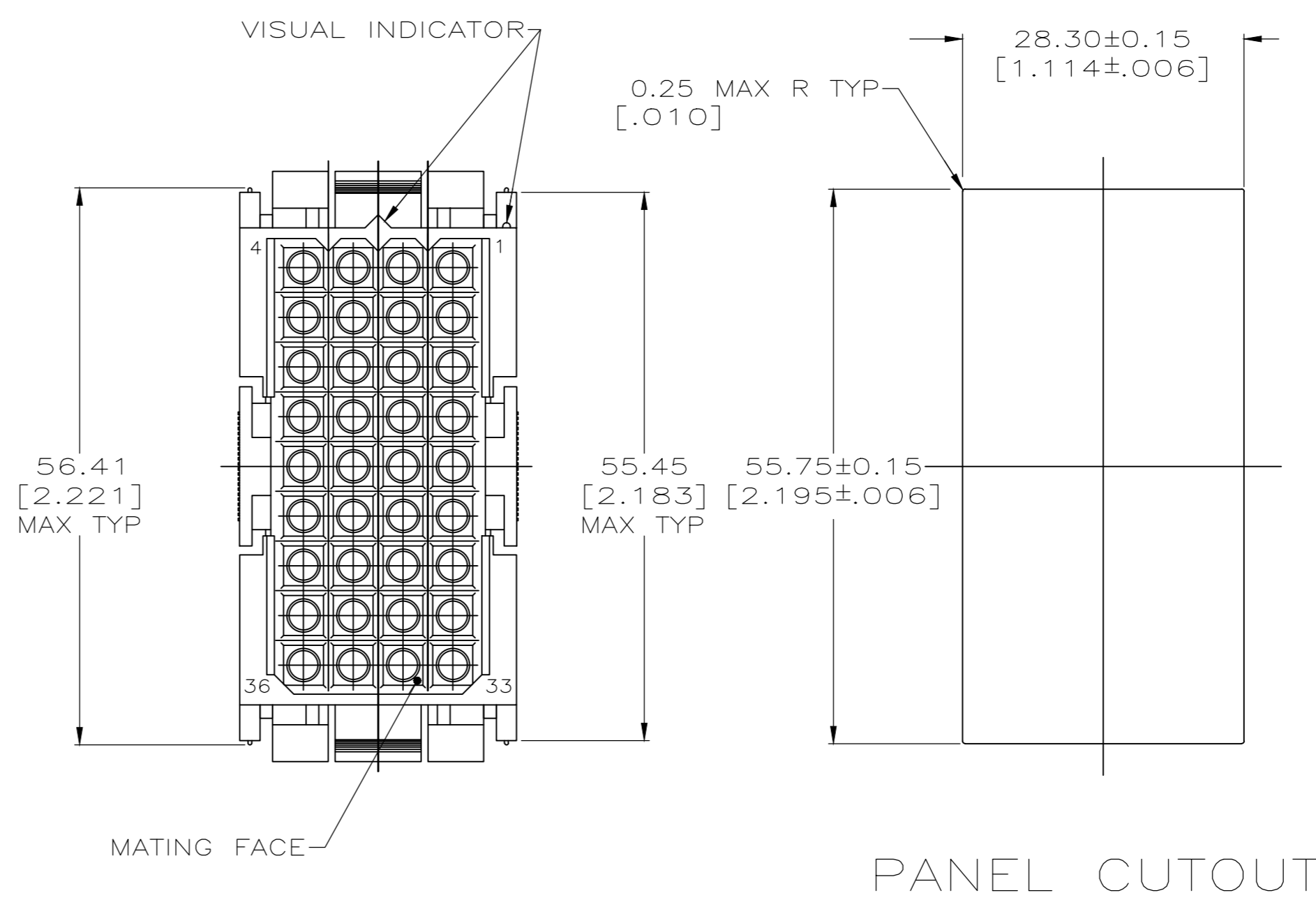
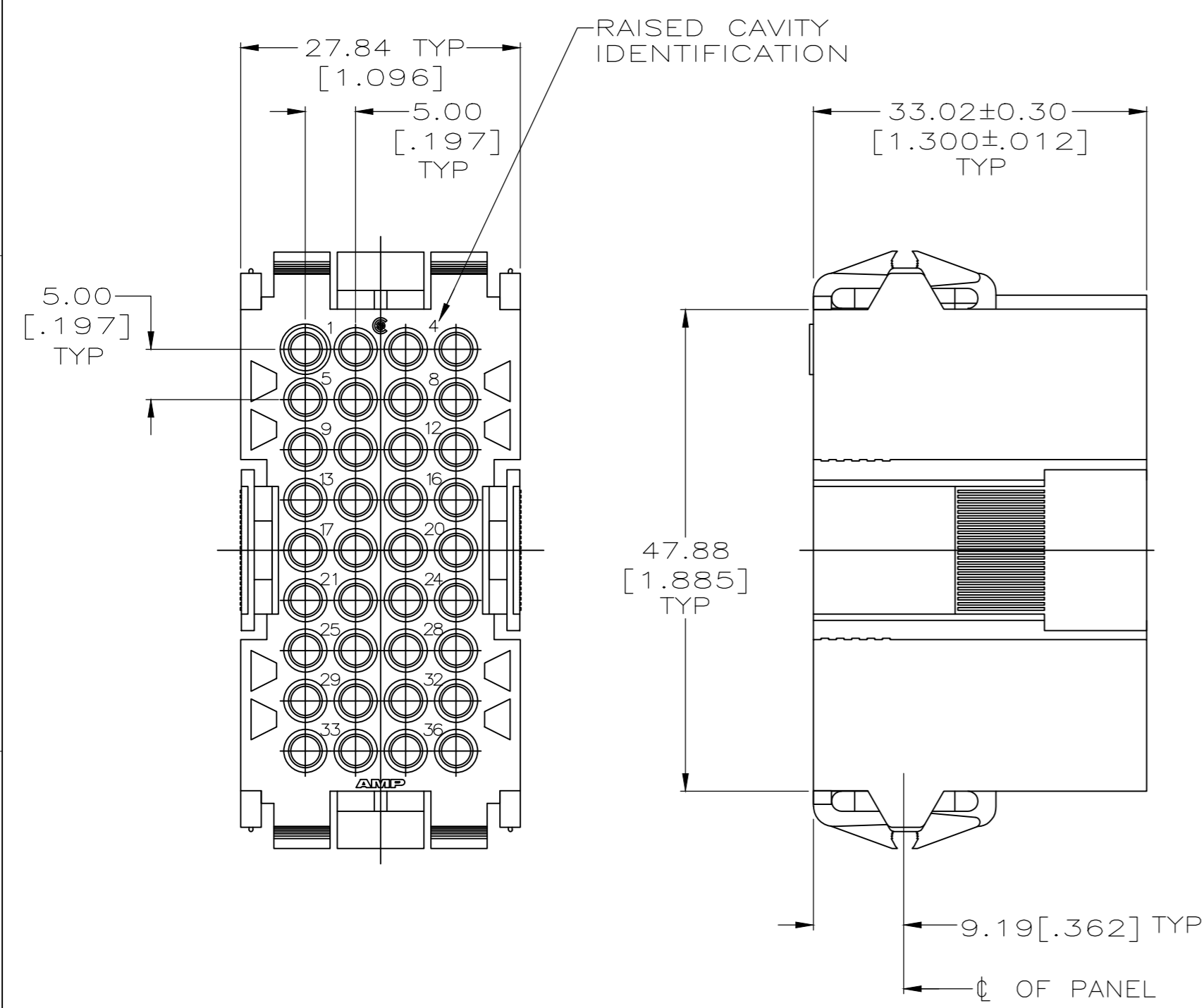
3

2

1

THIS DRAWING IS UNPUBLISHED. RELEASED FOR PUBLICATION
 © COPYRIGHT - TE Connectivity Ltd. ALL RIGHTS RESERVED.

| REVISIONS | | | | |
|-----------|-----|---------------------------|-----------|-------|
| P | LTR | DESCRIPTION | DATE | APVD |
| U | | REVISED PER ECO-20-002227 | 19FEB2020 | RK MZ |



- 1. PANEL RETENTION MECHANISM ACCOMMODATES PANEL THICKNESSES FROM 0.76[.030] TO 2.29[.090].
- 2. SAME AS 207020-1 EXCEPT: ROUNDED EDGES ON THE OUTSIDE OF THE HOUSING AND A 45° ANGLE ON THE OUTSIDE OF THE HOUSING BY THE LOCKING LATCHES, REF 928097.
- 3. OBSOLETE PARTS: OBSOLETE CIS STREAMLINING PER D.RENAUD/D.SINISI
- 4. HOUSING MATERIAL: PA66, BLACK, UL 94 V-0 RATED.

| | |
|-------------|------------|
| 3 OBSOLETE | 2 207020-2 |
| | 207020-1 |
| PART NUMBER | |

| | | | | | | |
|--|--|-----------------------------|--|-----------|------------|---------------|
| THIS DRAWING IS A CONTROLLED DOCUMENT. | | DWN W.LENKER 08/26/92 | TE TE Connectivity | | | |
| DIMENSIONS: mm [INCHES] | | CHK R.STONE 8-31-92 | | | | |
| TOLERANCES UNLESS OTHERWISE SPECIFIED: | | APVD A.TRAVIS 9-2-92 | NAME HOUSING, RECEPTACLE, 36 POSITION, METRIMATE | | | |
| 0 PLC ± - | | PRODUCT SPEC 108-10033 | | | | |
| 1 PLC ± - | | APPLICATION SPEC | SIZE | CAGE CODE | DRAWING NO | RESTRICTED TO |
| 2 PLC ± 0.25 [.010] | | | A2 | 00779 | C-207020 | |
| 3 PLC ± - | | WEIGHT | | | | |
| 4 PLC ± - | | CUSTOMER DRAWING | SCALE | SHEET | REV | |
| ANGLES ± - | | | 2:1 | 1 of 1 | U | |
| FINISH - | | | | | | |

207020
B

A