

4

3

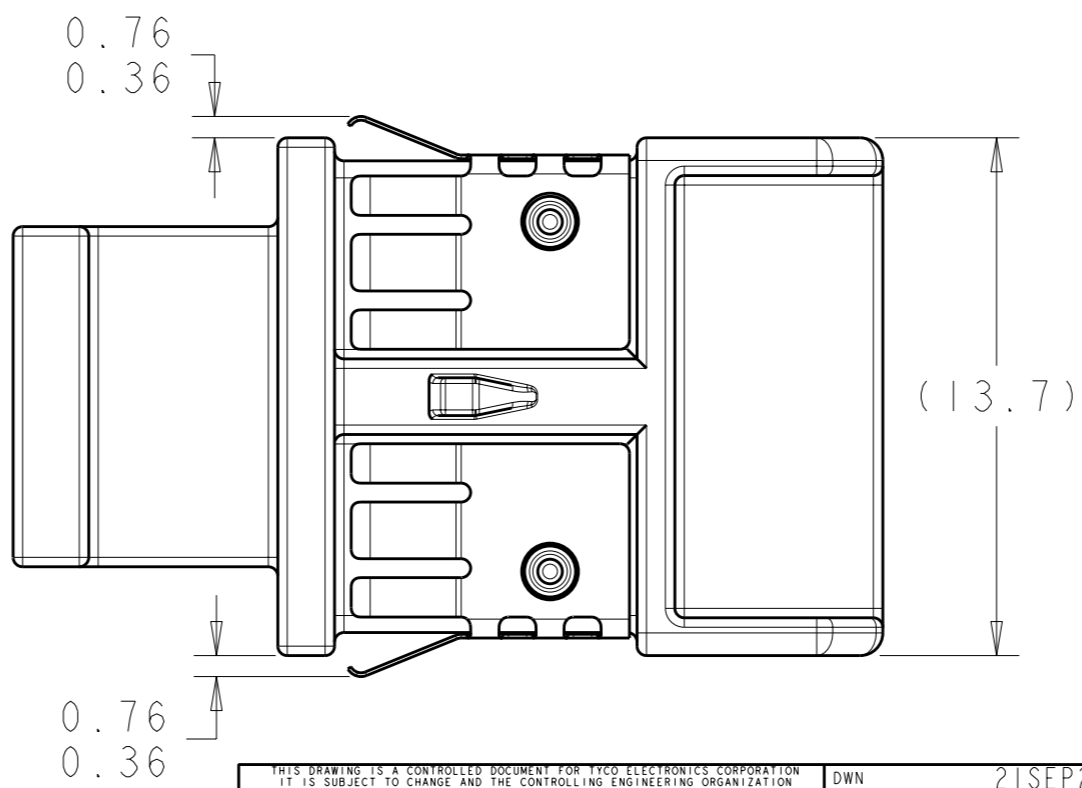
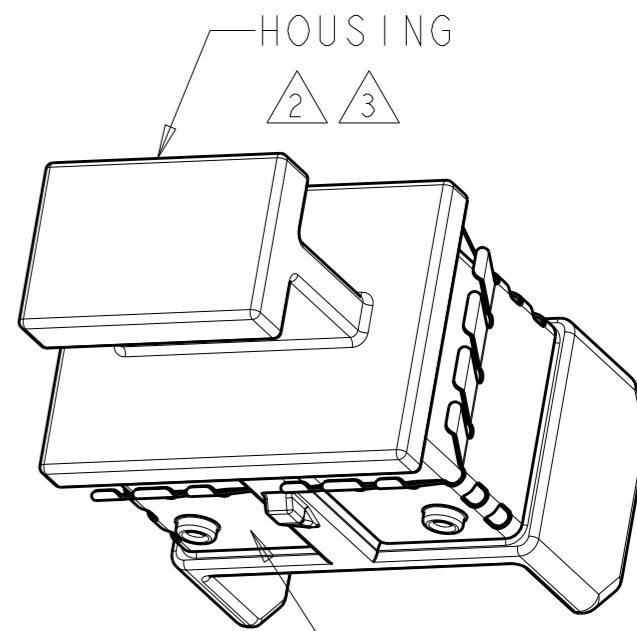
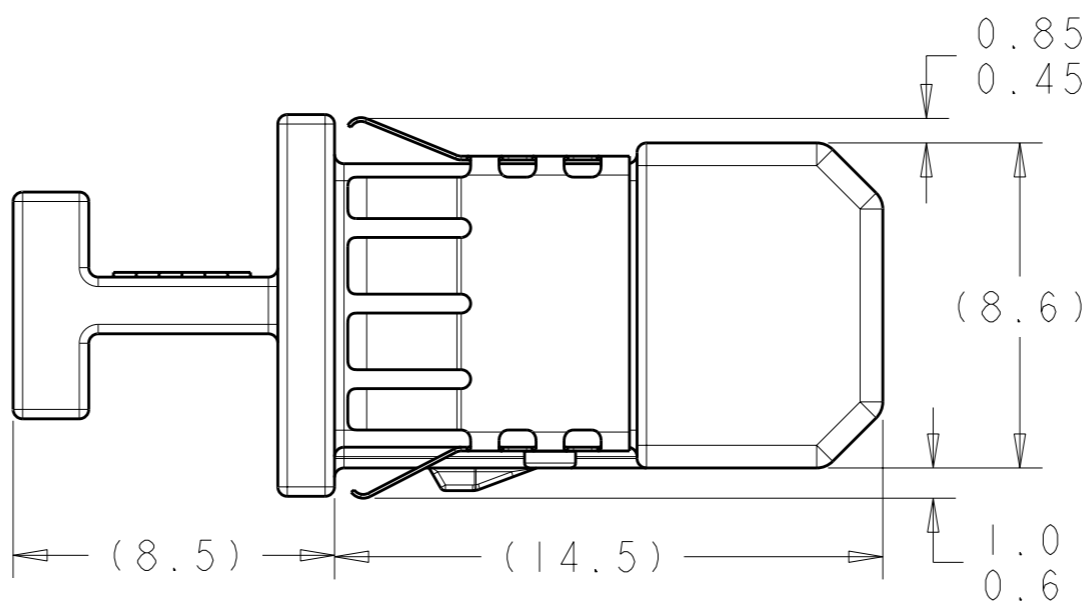
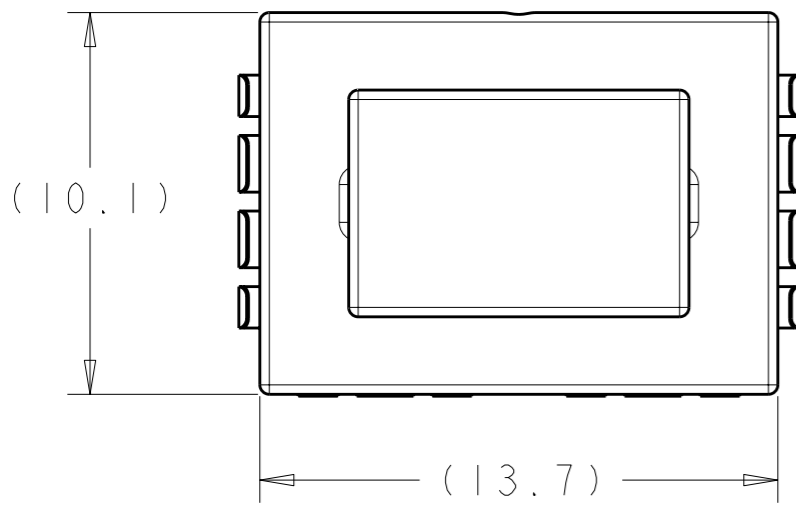
2

1

THIS DRAWING IS UNPUBLISHED. RELEASED FOR PUBLICATION 20
© COPYRIGHT 20 BY TYCO ELECTRONICS CORPORATION. ALL RIGHTS RESERVED.

LOC GP DIST 00

REVISIONS					
P	LTR	DESCRIPTION	DATE	DWN	APVD
	A	RELEASED PER ECO-08-027227	5-NOV-08	ZMR	RHW



1888901-1
SCALE 4:1

1888901-1
PART NUMBER

- ① COPPER ALLOY
- ② ZINC ALLOY PER ASTM B 240
- ③ 1.27µm NICKEL PLATE PER QQ-N-290

<small>THIS DRAWING IS A CONTROLLED DOCUMENT FOR TYCO ELECTRONICS CORPORATION IT IS SUBJECT TO CHANGE AND THE CONTROLLING ENGINEERING ORGANIZATION SHOULD BE CONTACTED FOR THE LATEST REVISION.</small>		DWN M.E. COWHER 21SEP2007 CHK D. SZCZESNY 21SEP2007 APVD D. SZCZESNY 21SEP2007		Tyco Electronics Tyco Electronics Harrisburg, PA 17105-3608	
DIMENSIONS: mm		TOLERANCES UNLESS OTHERWISE SPECIFIED: 0 PLC ±. 1 PLC ±. 2 PLC ±. 3 PLC ±. 4 PLC ±. ANGLES ±.		NAME EMI PLUG ASSEMBLY, DIRECT ATTACH PLUG, SFP+	
MATERIAL SEE NOTES		FINISH SEE NOTES		PRODUCT SPEC - APPLICATION SPEC - WEIGHT -	
		CUSTOMER DRAWING		SIZE A3 CAGE CODE 00779 DRAWING NO C-1888901 RESTRICTED TO -	
				SCALE 5:1 SHEET 1 OF 1 REV A	