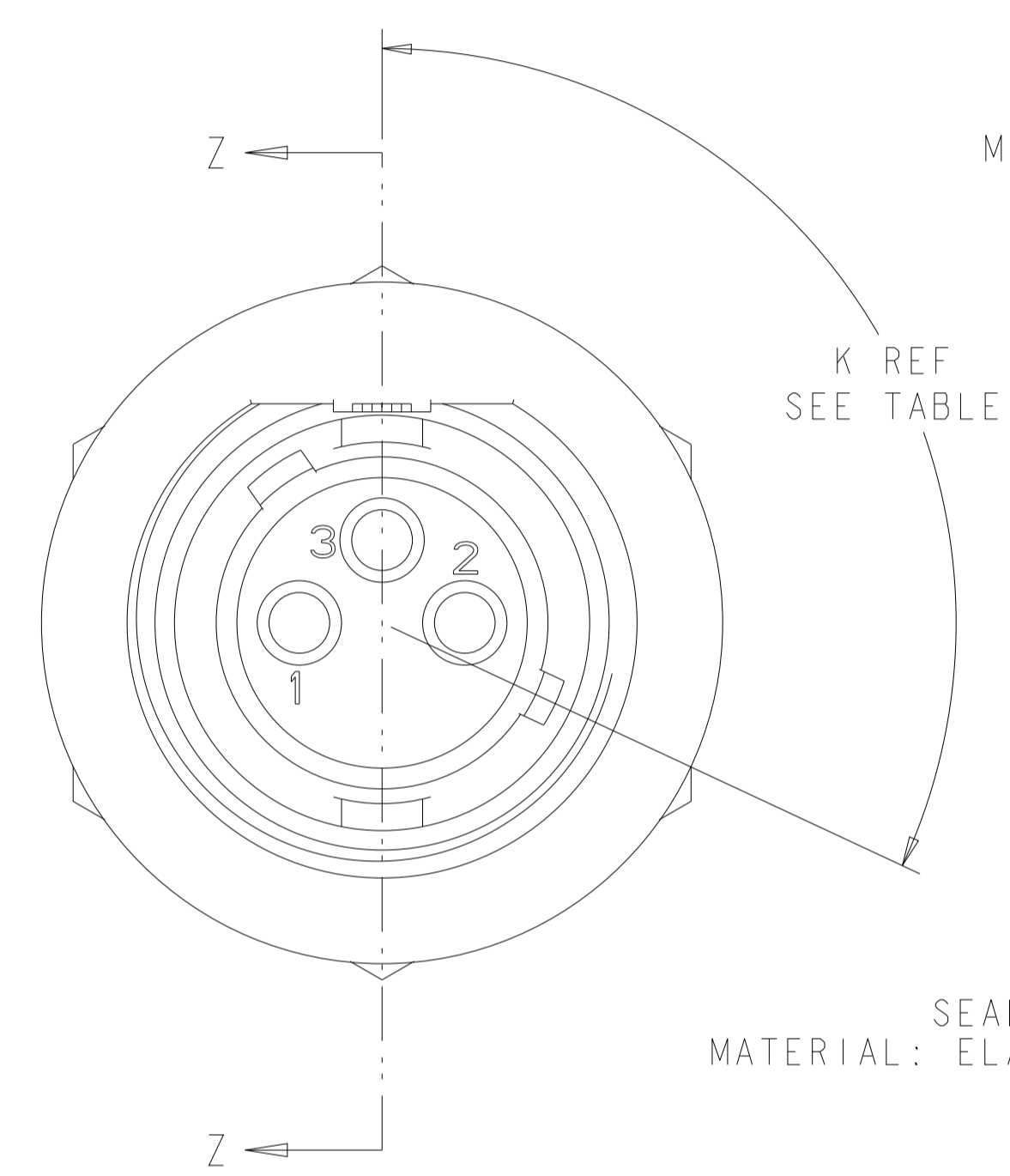
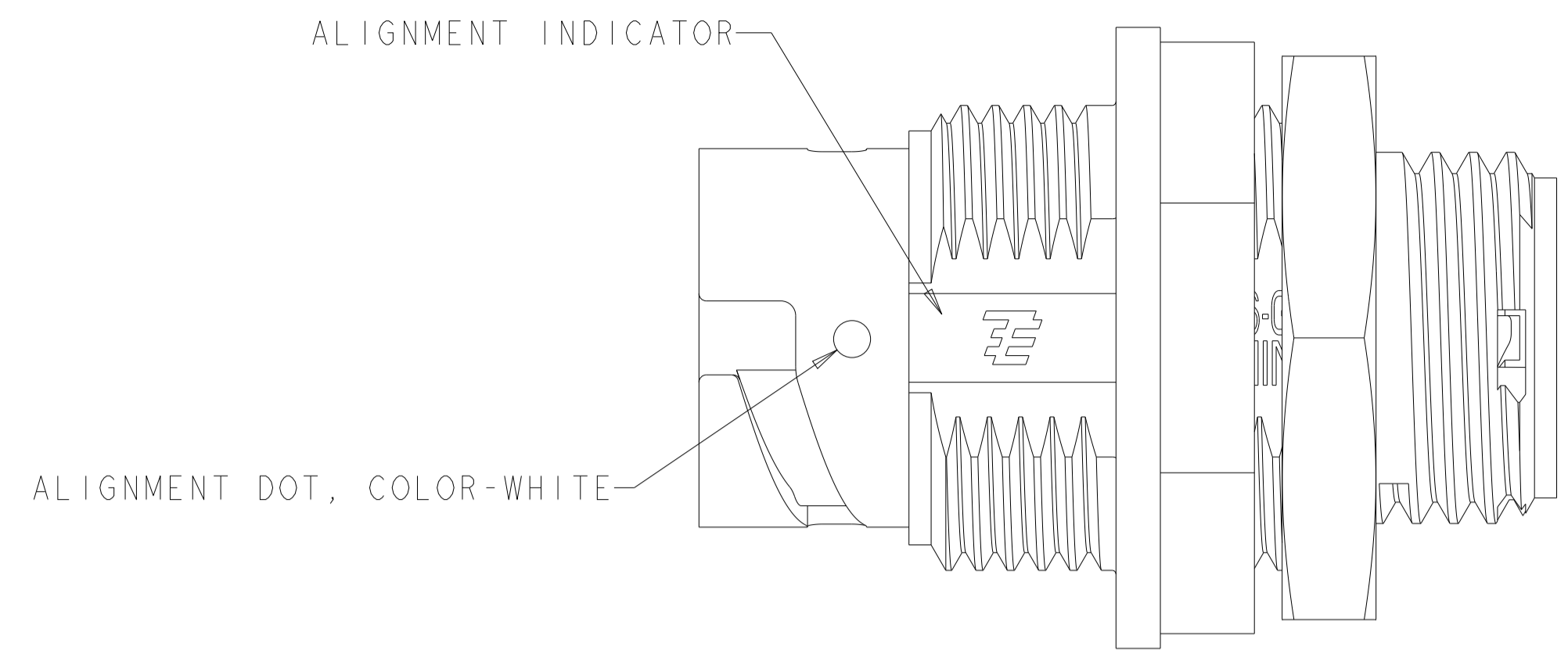
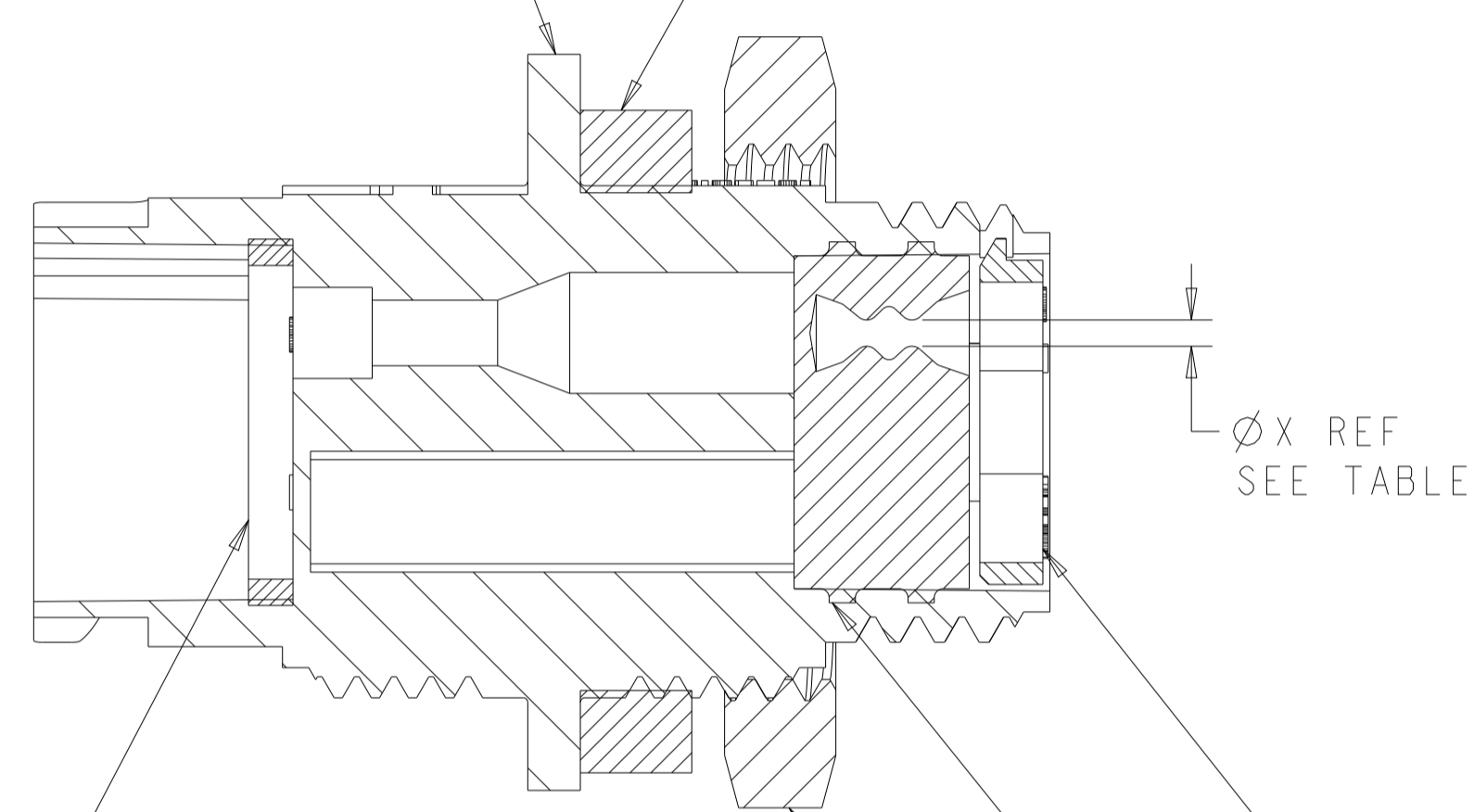


REVISIONS					
P	LTN	DESCRIPTION	DATE	DWN	APVD
	D	REVISED PER ECN-22-136865	01FEB2022	RK	MZ



HOUSING, RECEPTACLE, QTY-1
 MATERIAL: THERMOPLASTIC, COLOR-BLACK

SEAL, PANEL; SHOWN FOR REFERENCE ONLY, TO BE ORDERED SEPARATELY, PART #1445420-01.

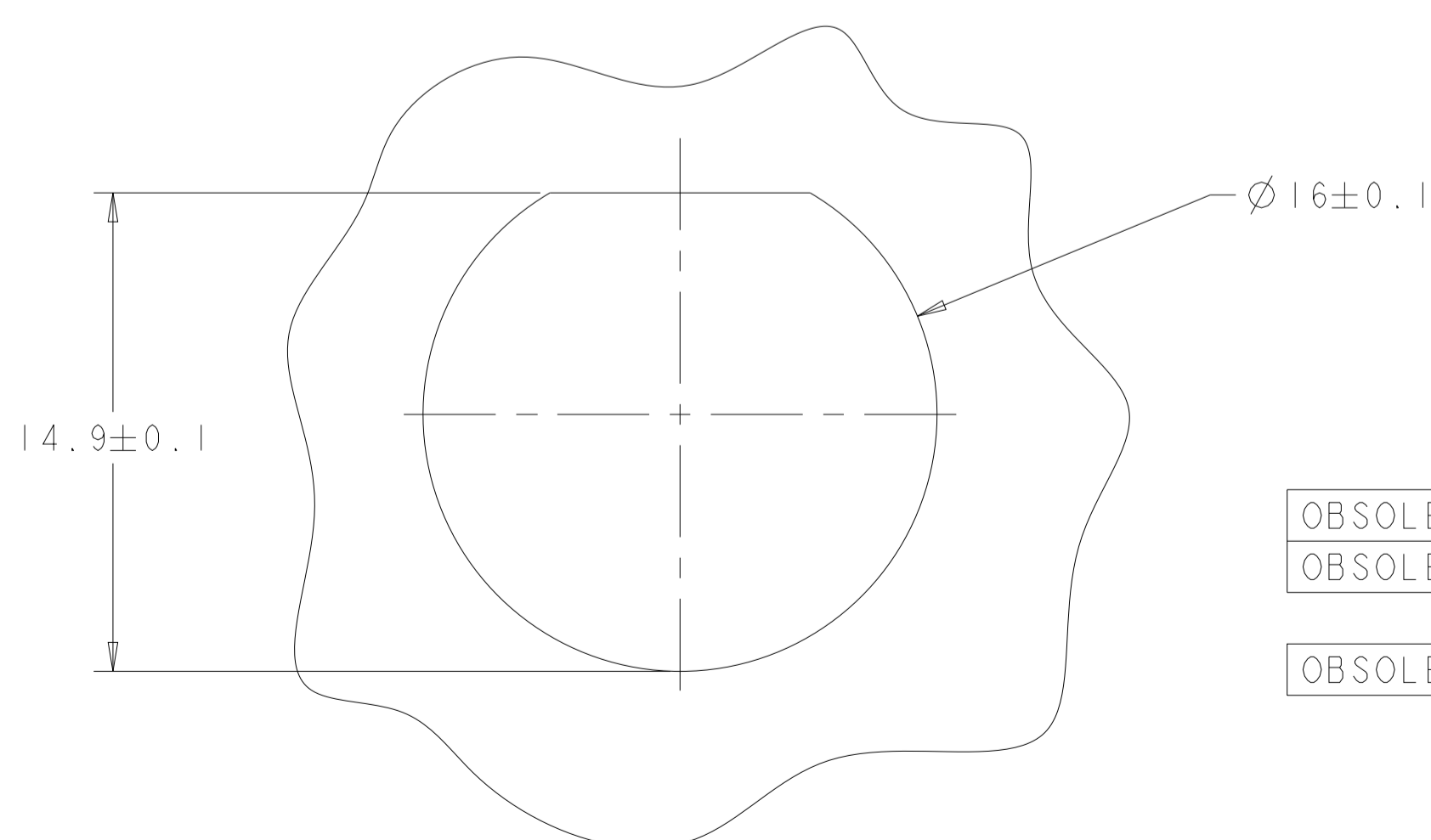
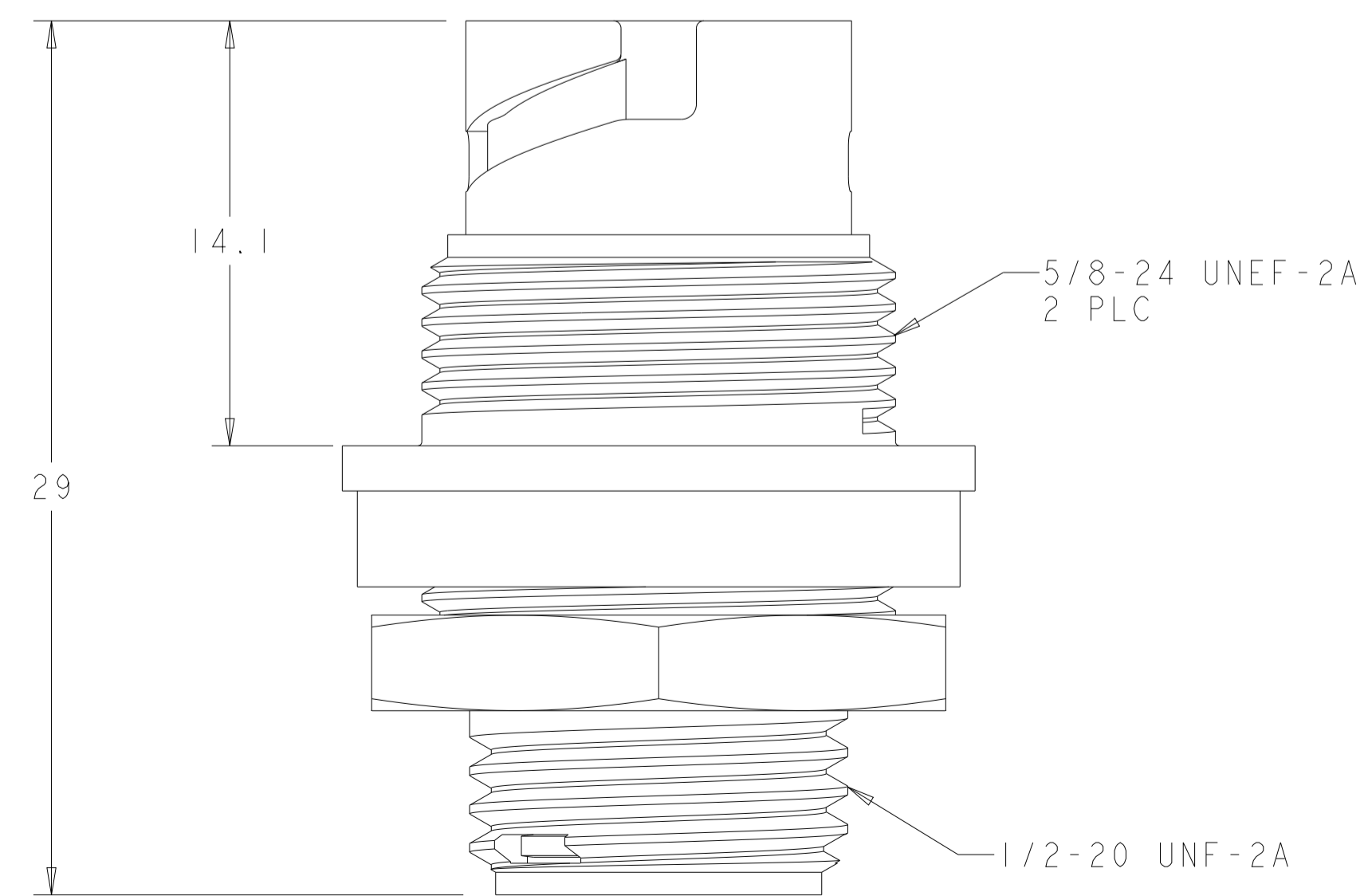
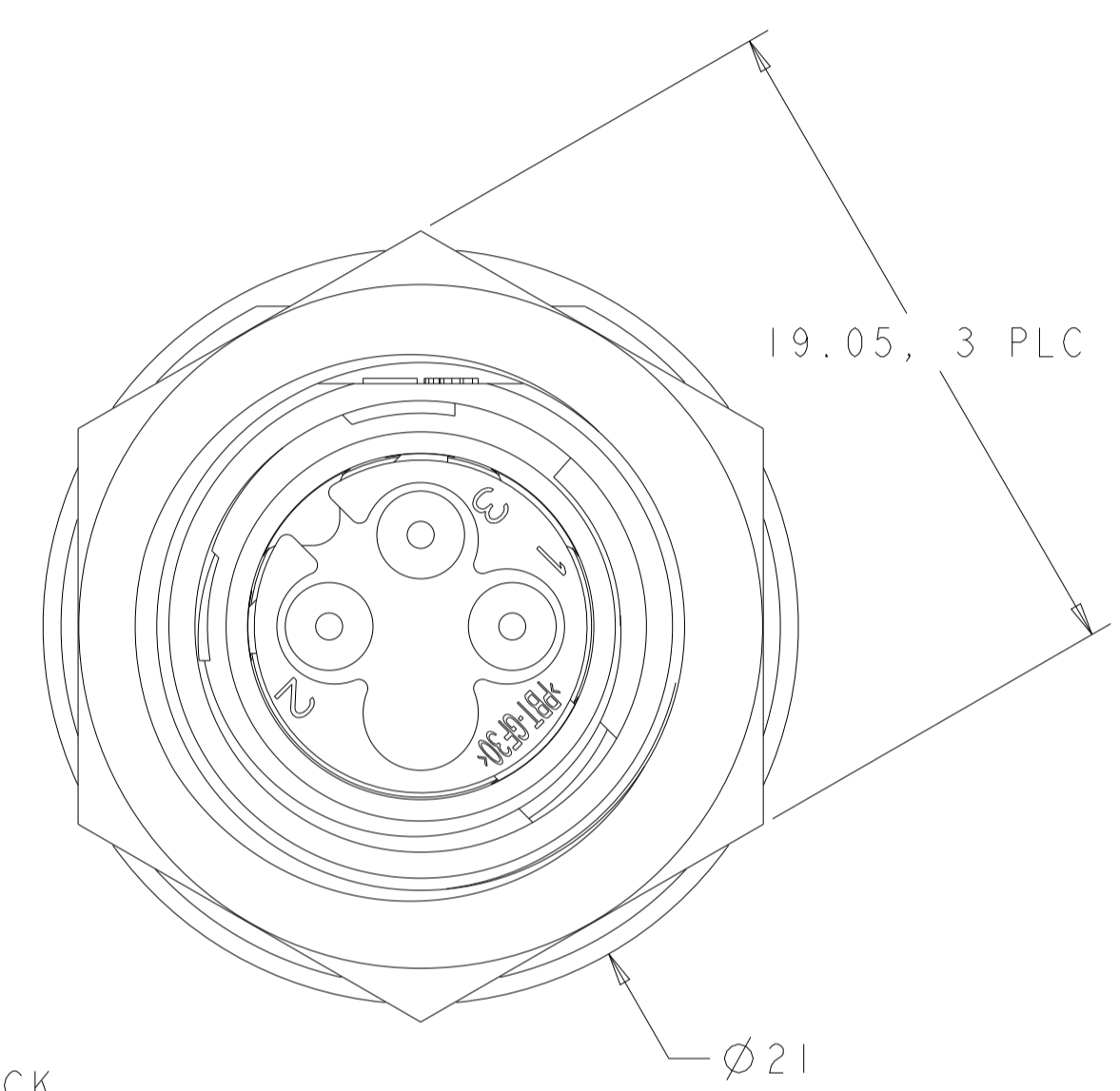


SEAL, PERIPHERAL, QTY-1
 MATERIAL: ELASTOMER, COLOR-BLACK

PLATE, SEAL, RETENTION, QTY-1
 MATERIAL: THERMOPLASTIC, COLOR-BLACK

SEAL, WIRE ENTRY, QTY-1
 MATERIAL: ELASTOMER, COLOR-SEE TABLE

JAM NUT, SHOWN FOR REFERENCE ONLY, TO BE ORDERED SEPARATELY, PART # 1604196-1



1. CONNECTOR CAN BE FRONT OR REAR PANEL MOUNTED.
 2. MAX PANEL THICKNESS - 3.18

OBSOLETE	RED	NATURAL	Ø 1.5	115°	1445537-05
OBSOLETE	BLACK	YELLOW	Ø 0.75	130°	1445537-04
	BLACK	NATURAL	Ø 1.5	115°	1445537-03
OBSOLETE	BLACK	NATURAL	Ø 1.5	130°	1445537-02
	BLACK	YELLOW	Ø 0.75	115°	1445537-01
	HOUSING COLOR	SEAL, WIRE ENTRY COLOR	Ø X REF	K REF	PART NUMBER

THIS DRAWING IS A CONTROLLED DOCUMENT.

DIMENSIONS: mm

TOLERANCES UNLESS OTHERWISE SPECIFIED:

0 PLC	±0.5
1 PLC	±0.13
3 PLC	±0.013
4 PLC	±0.0001
ANGLES	±0.0001
FINISH	±0.0001

MATERIAL: -

WEIGHT: -

CUSTOMER DRAWING

DWN: S. WIEST 07MAY2001
 CHK: G. DOUTY 07MAY2001
 APVD: H. WAKEEM 13JUN2003

NAME: ASSEMBLY, RECEPTACLE, SIZE 8, 3 POSITION, PANEL MOUNT, MINI CPC

SIZE: A1 CAGE CODE: 100779 DRAWING NO: 1445537

RESTRICTED TO: -

SCALE: 5:1 SHEET 1 OF 1 REV D

TE TE Connectivity