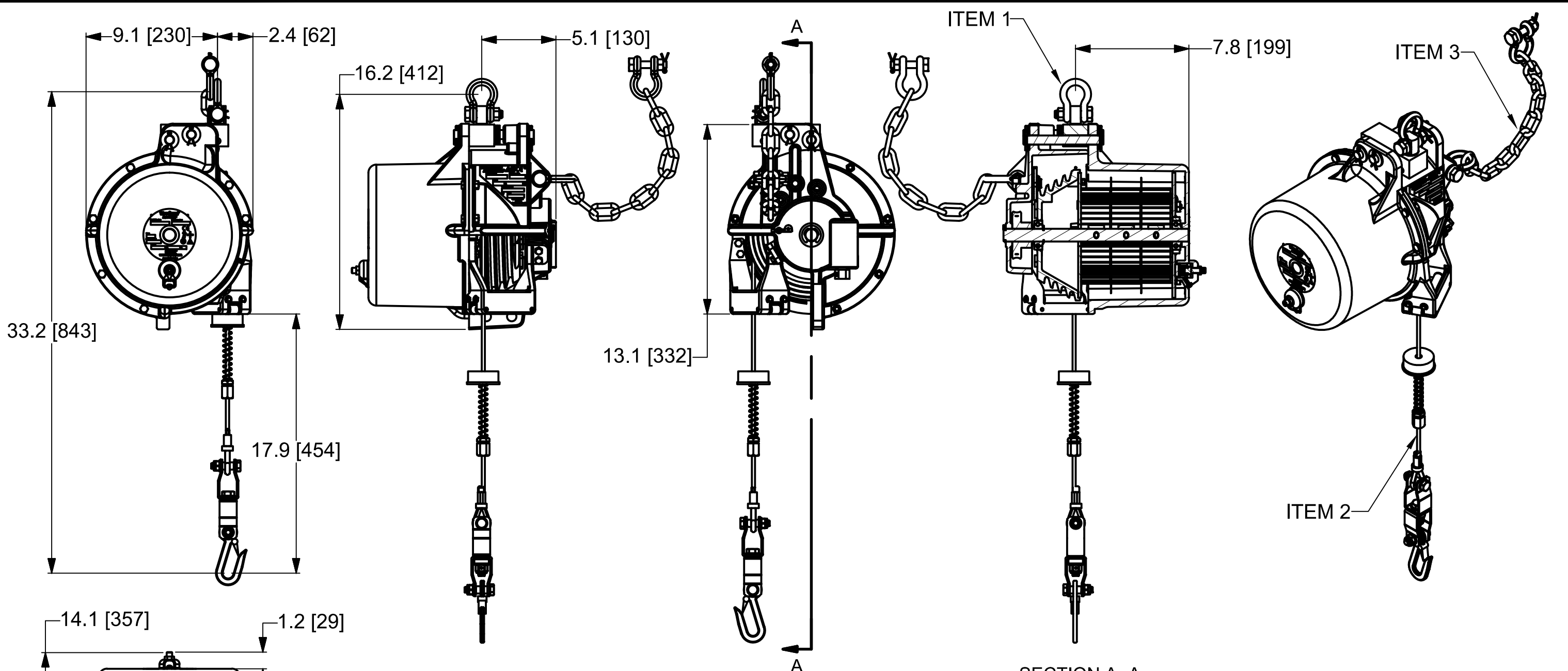


10 9 8 7 6 5 4 3 2 1



DIMENSIONS ARE FOR REFERENCE ONLY.

RELEASE TO GSM EC NO: WNA2011-0107 DRWN: RHOTCA 2011/02/18 CHKD: DT APPR: DTITUS 2011/03/24 REV A	QUALITY SYMBOLS $\nabla=0$ $\nabla C=0$	GENERAL TOLERANCES (UNLESS SPECIFIED) mm INCH 4 PLACES \pm \pm 3 PLACES \pm $\pm.005$ 2 PLACES ± 0.13 $\pm.010$ 1 PLACE ± 0.25 $\pm.020$ ANGULAR $\pm 1^\circ$	DIMENSION STYLE IN/MM DRAWN BY: RHOTCA DATE: 2011/02/18 CHECKED BY: DT DATE: 2011/02/18 APPROVED BY: DTITUS DATE: 2011/03/24 MATERIAL NO. SEE TABLE	SCALE: NTS DESIGN UNITS: INCH THIRD ANGLE PROJECTION	TITLE: LA FOR GME SERIES OF BALANCERS GENERAL SALES DRAWING MOLEX INCORPORATED DOCUMENT NO.: SD-130172-005 SHEET NO.: 1 OF 2	
	DRAFT WHERE APPLICABLE MUST REMAIN WITHIN DIMENSIONS		SIZE: B THIS DRAWING CONTAINS INFORMATION THAT IS PROPRIETARY TO MOLEX INCORPORATED AND SHOULD NOT BE USED WITHOUT WRITTEN PERMISSION			

10 9 8 7 6 5 4 3 2 1

BALANCER MODEL:		LOAD CAPACITY CHART:		CABLE TRAVEL CHART PER MODEL:		ITEMS INDEX BY EACH MODEL:					
		WIEIGHT RANGE FOR EACH BALANCER MODEL:				ITEM #1:		ITEM #2:		ITEM #3:	
		MATERIAL NUMBER	MODEL NUMBER			IN LBS	IN KGS	[FT]	[M]	MATERIAL NUMBER	ENGINEERING NUMBER
1301720522	250LA-GME	234 - 250	106 - 113	7.0	2.1	1301790517	49680	1301794947	BG15085-7	1301790953	BG19381
1301720523	260LA-GME	249 - 265	113 - 120	7.0	2.1	1301790517	49680	1301794947	BG15085-7	1301790953	BG19381
1301720524	280LA-GME	265 - 280	120 - 127	7.0	2.1	1301790517	49680	1301794947	BG15085-7	1301790953	BG19381
1301720572	290LA-GME	280 - 291	127 - 132	7.0	2.1	1301790517	49680	1301794947	BG15085-7	1301790953	BG19381

- NOTES:
- BALANCERS ARE 100% INSPECTED & PRE-TENSIONED AT FACTORY.
 - HOUSINGS MADE ALUMIUM CASTING & ARE POWDER COATED TO MEET HARSH INDUSTRIAL ENVIRONMENTS.
 - ALWAYS READ INSTRUCTIONS MANUAL BEFORE USING BALANCERS.
 - BALANCERS ARE NOT TO BE USED AS RETRACTORS THEIR MAIN PURPOSE BEING TO BALANCE A LOAD AND NOT TO RETRACT ONE.
 - OVERALL DIMENSIONS ARE FOR REFERENCE ONLY.
 - WHEN MOUNTING BALANCER, ALWAYS MAKE SURE THAT SAFETY PIN WHICH COMES WITH SHACKLE IS INSTALLED & SECURED.

RELEASE TO GSM EC NO: WNA2011-0107 DRWN: RHOTCA 2011/02/18 CHKD: DT APPR: DTITUS 2011/03/24 REV: A	QUALITY SYMBOLS	GENERAL TOLERANCES (UNLESS SPECIFIED)		DIMENSION STYLE		SCALE	DESIGN UNITS	THIRD ANGLE PROJECTION		
	▽=0 ∇=0	4 PLACES	mm	INCH	IN/MM		NTS	INCH		
		3 PLACES	±-	±-	DRAWN BY DATE		TITLE			
		2 PLACES	±0.13	±.010	RHOTCA 2011/02/18		LA FOR GME SERIES OF BALANCERS GENERAL SALES DRAWING			
	1 PLACE	±0.25	±.020	CHECKED BY DATE		MOLEX INCORPORATED				
		ANGULAR ±1°		APPROVED BY DATE		DOCUMENT NO. SHEET NO.				
		DRAFT WHERE APPLICABLE MUST REMAIN WITHIN DIMENSIONS		DTITUS 2011/03/24		SD-130172-005		2 OF 2		
				MATERIAL NO. SEE TABLE		THIS DRAWING CONTAINS INFORMATION THAT IS PROPRIETARY TO MOLEX INCORPORATED AND SHOULD NOT BE USED WITHOUT WRITTEN PERMISSION				