

6

5

4

3

2

1

E

E

D

D

C

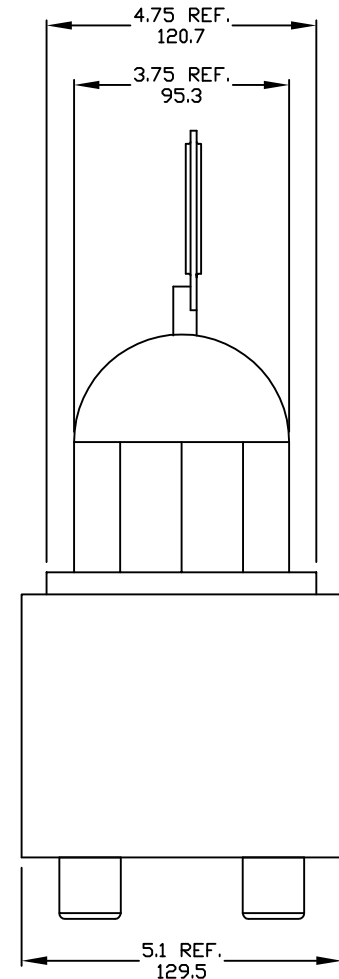
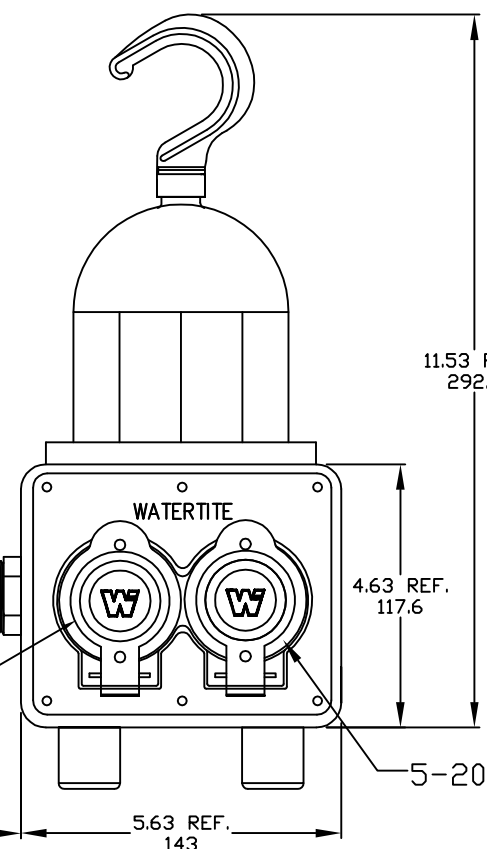
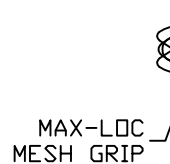
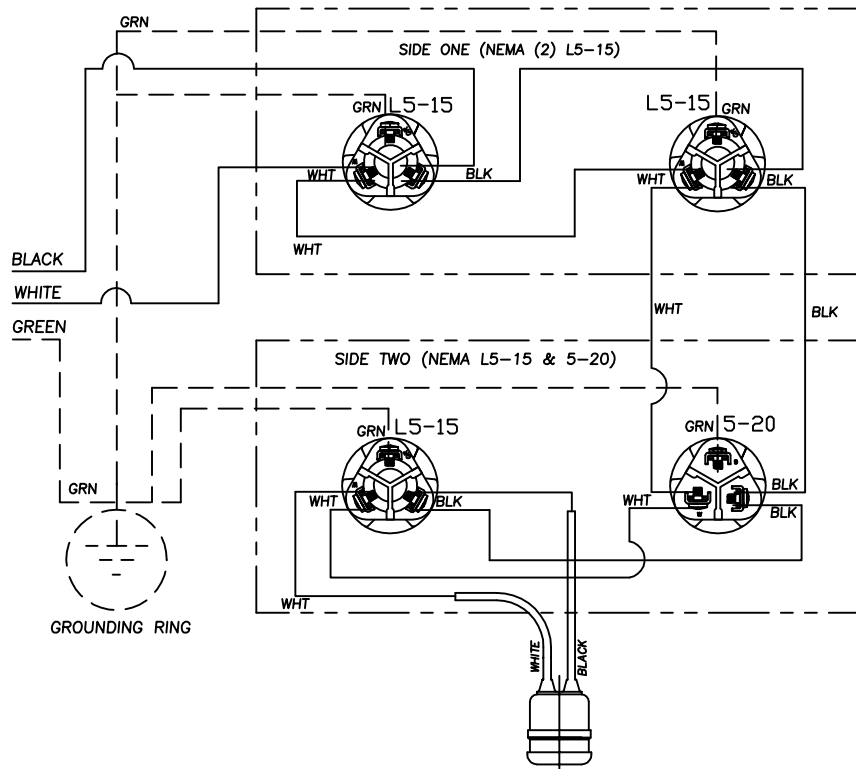
C

B

B

A

A



CUSTOMER DRAWING
 EC NO: WNA2010-0280
 DRWN: HKNEELAN 10/19/09
 CHKD: HKNEELAN 2009/10/26
 APPR: DTTITUS 2009/11/06

QUALITY SYMBOLS
 ▽=0
 ∇=0

GENERAL TOLERANCES (UNLESS SPECIFIED)

	mm	INCH
4 PLACES	±----	±----
3 PLACES	±----	±0.005
2 PLACES	±0.13	±0.010
1 PLACE	±0.25	±0.020

ANGULAR ±.5°

DRAFT WHERE APPLICABLE MUST REMAIN WITHIN DIMENSIONS

DIMENSION STYLE INCH/MM

DRAWN BY: _____ DATE: _____

CHECKED BY: **HKNEELAN** DATE: **2009/10/26**

APPROVED BY: **DTTITUS** DATE: **2009/11/06**

MATERIAL NO. **1301350367**

SIZE **A**

SCALE NTS

DESIGN UNITS INCH

THIRD ANGLE PROJECTION

32W90-2 LIGHTED BOX NEMA (3)L5-15 & (1)5-20 WIRE MESH GRIP

MOLEX INCORPORATED

DOCUMENT NO. **SD-130135-024**

SHEET NO. **1 OF 1**

THIS DRAWING CONTAINS INFORMATION THAT IS PROPRIETARY TO MOLEX INCORPORATED AND SHOULD NOT BE USED WITHOUT WRITTEN PERMISSION

6

5

4

3

2

1