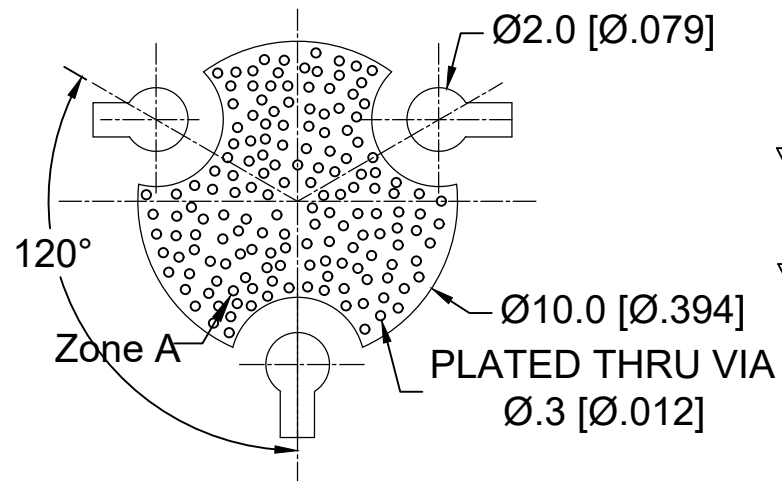
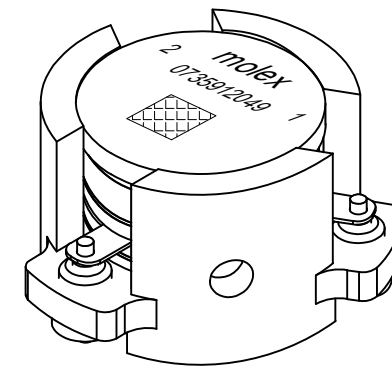
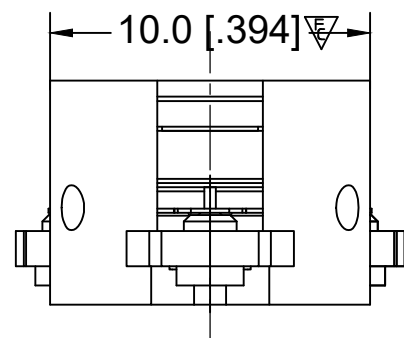
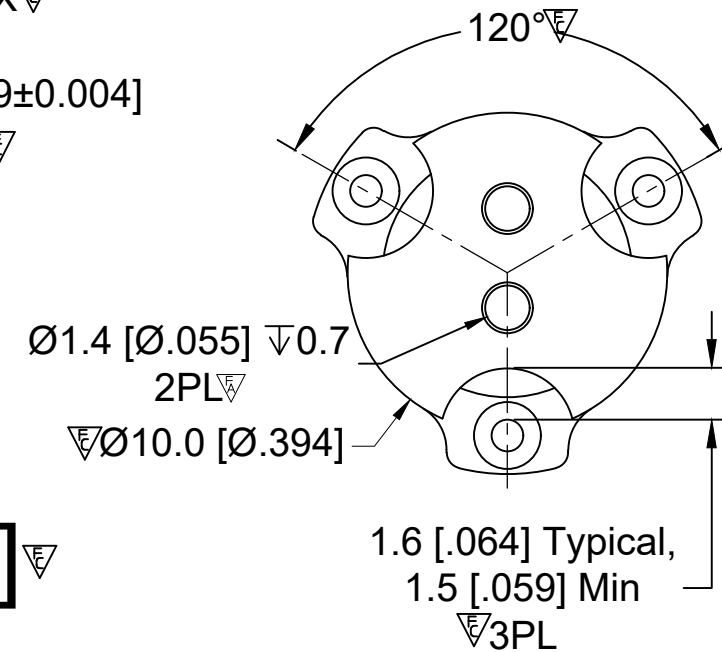
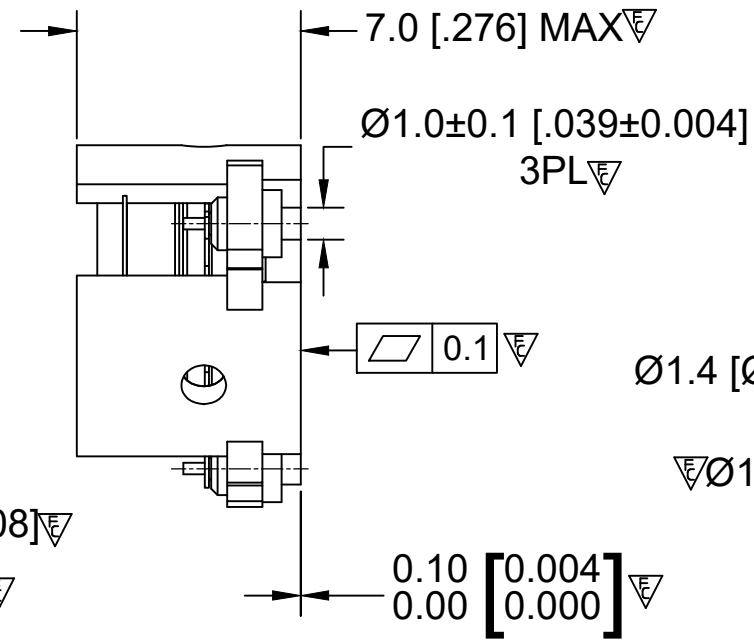
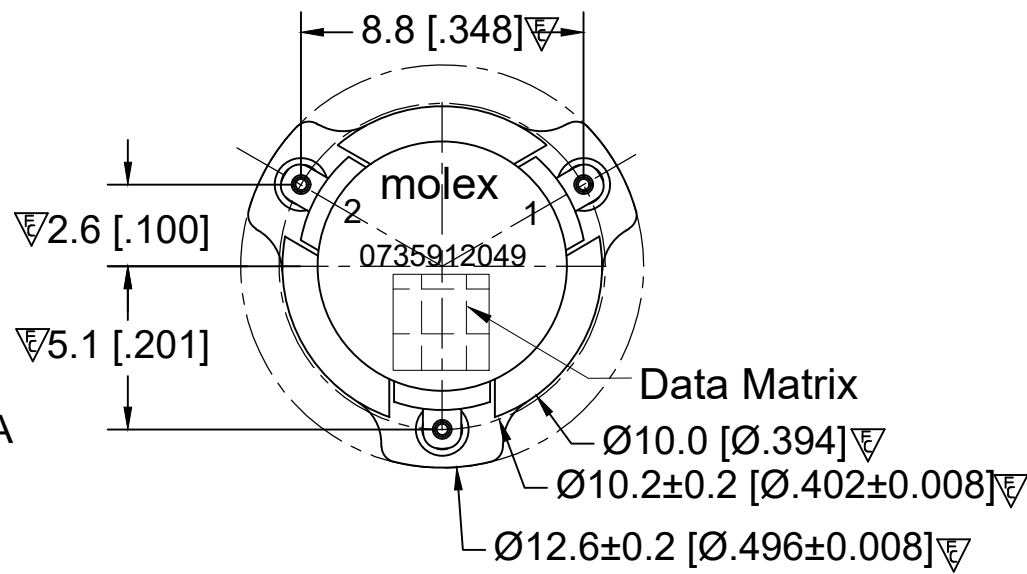


RECOMMENDED LAND PATTERN :

Zone A must be attached to heat sink. Thermal conductivity of intermediate layers between Zone A and heat sink must be better than 0.1 W / [°C x mm].



PCB Material :Rogers RO4350B,0.508mm thickness
trace width 1.07mm wide.



ELECTRICAL SPECIFICATIONS :

- Frequency Range : 3300~3800 MHz
- Insertion Loss : 0.25 dB Max@25°C,0.3 dB Max
- Isolation : 20 dB Min
- Return Loss : 20 dB Min
- Average Power : 20 W (CW)
- Peak Power : 160 W
- FMD IMD3(2 x10W,1 MHz space): -65 dBc Max
- 2nd Harmonic(20W CW) : 50dBc min
- 3rd Harmonic(20W CW) : 60dBc min
- Operating Temperature : -40°C to +110°C
- Storage Temperature : -65°C to +155°C
- Direction : CCW

BODY: CARBON STEEL, SILVER PLATED
RIGID PINS: COPPER, SILVER PLATED

NOTES:

- 1.STANDARD INPUT/OUTPUT IMPEDANCE 50 Ohm
- 2.LEAD FREE, NO Nd MATERIAL, BeO FREE
- 3.THE DIMENSION OF DATE MATRIX IS 3X3MM INFORMATION INCLUDING WORK ORDER NUMBER-SERIAL NUMBER-MATERIAL NUMBER
- 4.THIS PART COMPLIES WITH ALL RoHS REQUIREMENTS

ENG PART#:812-330-380-VP040

THIS DRAWING CONTAINS INFORMATION THAT IS PROPRIETARY TO MOLEX ELECTRONIC TECHNOLOGIES, LLC AND SHOULD NOT BE USED WITHOUT WRITTEN PERMISSION										
FUNCTIONAL SYMBOLS	DIMENSION UNITS	SCALE	CURRENT REV DESC:							
$\nabla_A=0$	MM	1:1	RELEASE TO PROD							
$\nabla_E=0$	GENERAL TOLERANCES (UNLESS SPECIFIED)		EC NO: 694735							
$\nabla_P=0$	mm INCH		DRWN: SREN05 2022/02/11							
DIVISIONAL SYMBOLS	4 PLACES	±0.005 ±----	CHK'D: JLI252 2022/02/15							
	3 PLACES	±0.025 ±----	APPR: HWANG186 2022/02/21							
	2 PLACES	±0.13 ±----	INITIAL REVISION:							
	1 PLACE	±0.2 ±----	DRWN: SREN05 2021/11/15							
	0 PLACES	±0.4 ±----	APPR: HWANG186 2022/02/21							
	ANGULAR TOL ± 1.5 °		DRAFT WHERE APPLICABLE MUST REMAIN WITHIN DIMENSIONS							
	THIRD ANGLE PROJECTION		DRAWING		SERIES		MATERIAL NUMBER		CUSTOMER	
			A3-SIZE		73591		0735912049		CUSTOM PART	
			DOCUMENT NUMBER		DOC TYPE		DOC PART		REVISION	
			735912049		PSD		000		A	
DOCUMENT STATUS			P1		RELEASE DATE		2022/02/21 04:11:30			