

MATERIALS AND FINISHES:

BODY: BRASS
 PLATED: TRI-M3 (118µ-in MIN)

CONTACT: BRASS
 PLATED: SILVER (118µ-in MIN)

COUPLING NUT: BRASS
 PLATED: NICKEL (78µ-in MIN)

INSULATORS: PTFE

O-RING: SILICONE RUBBER

PERFORMANCE REQUIREMENTS:

FREQUENCY RANGE: 0-6 GHz

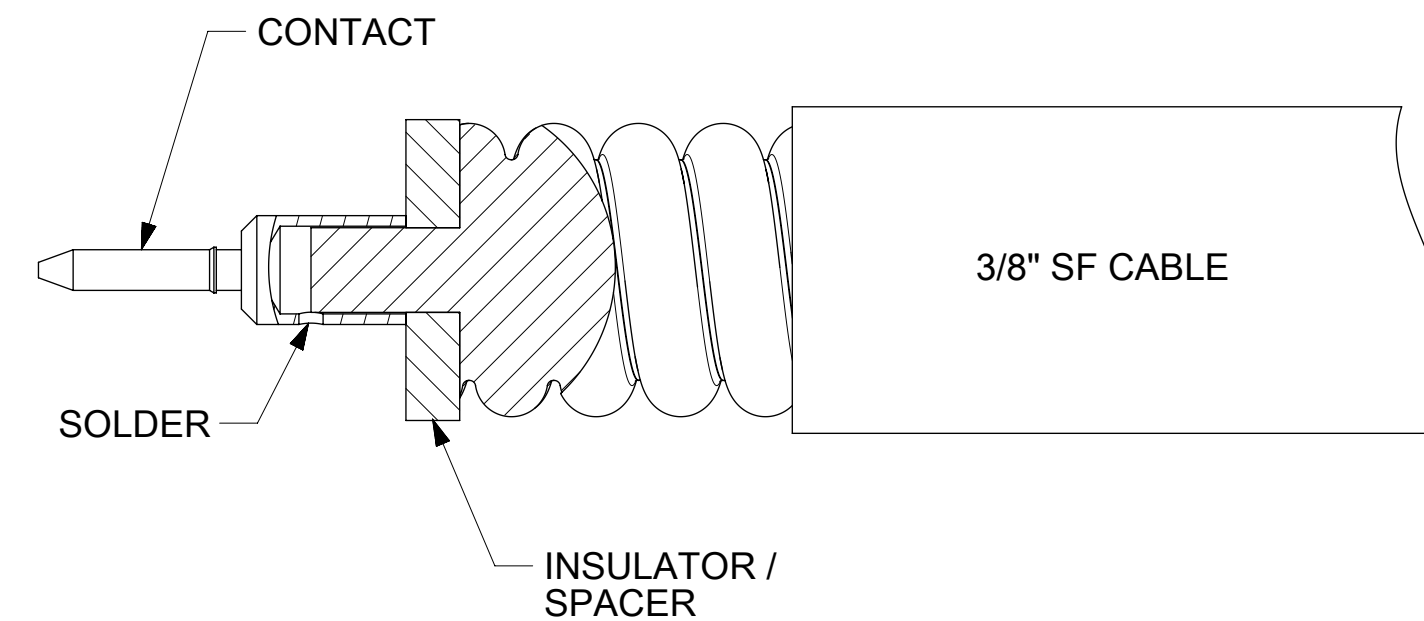
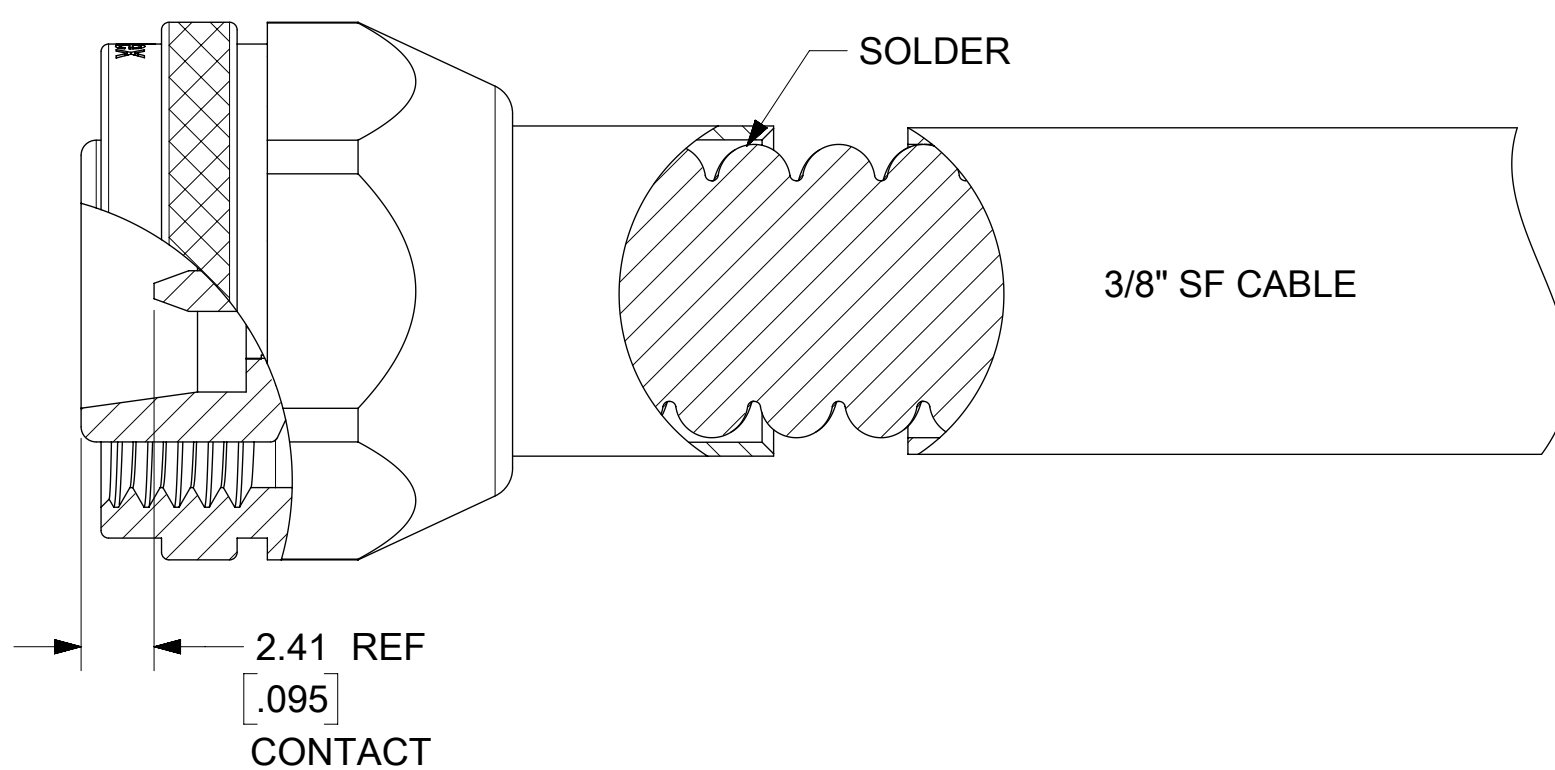
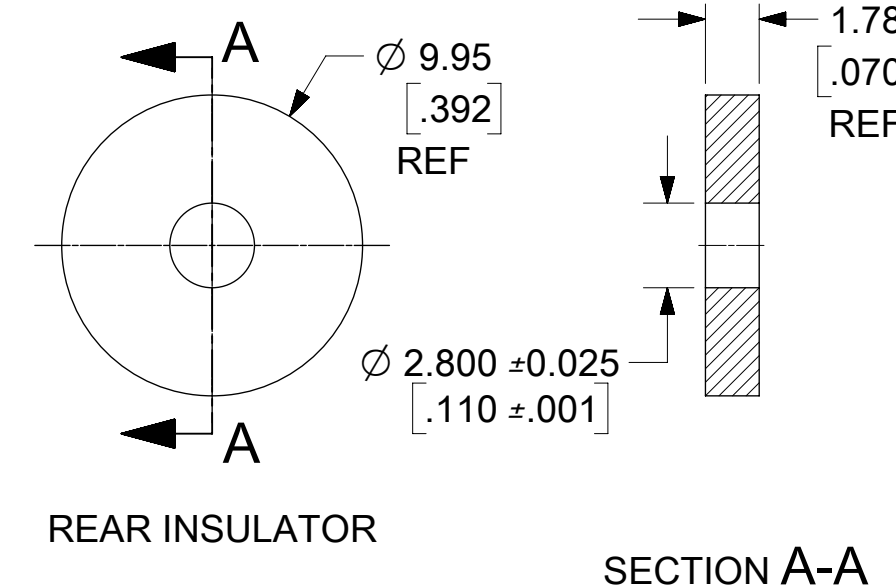
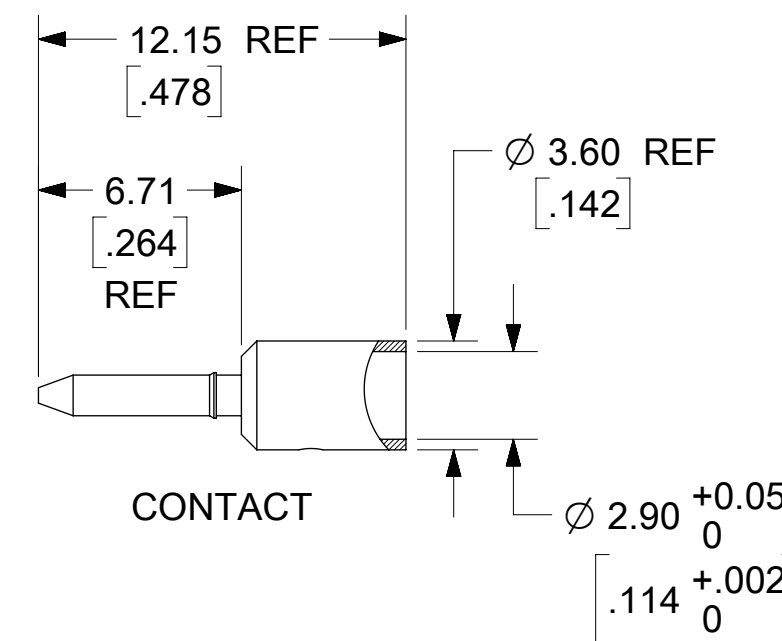
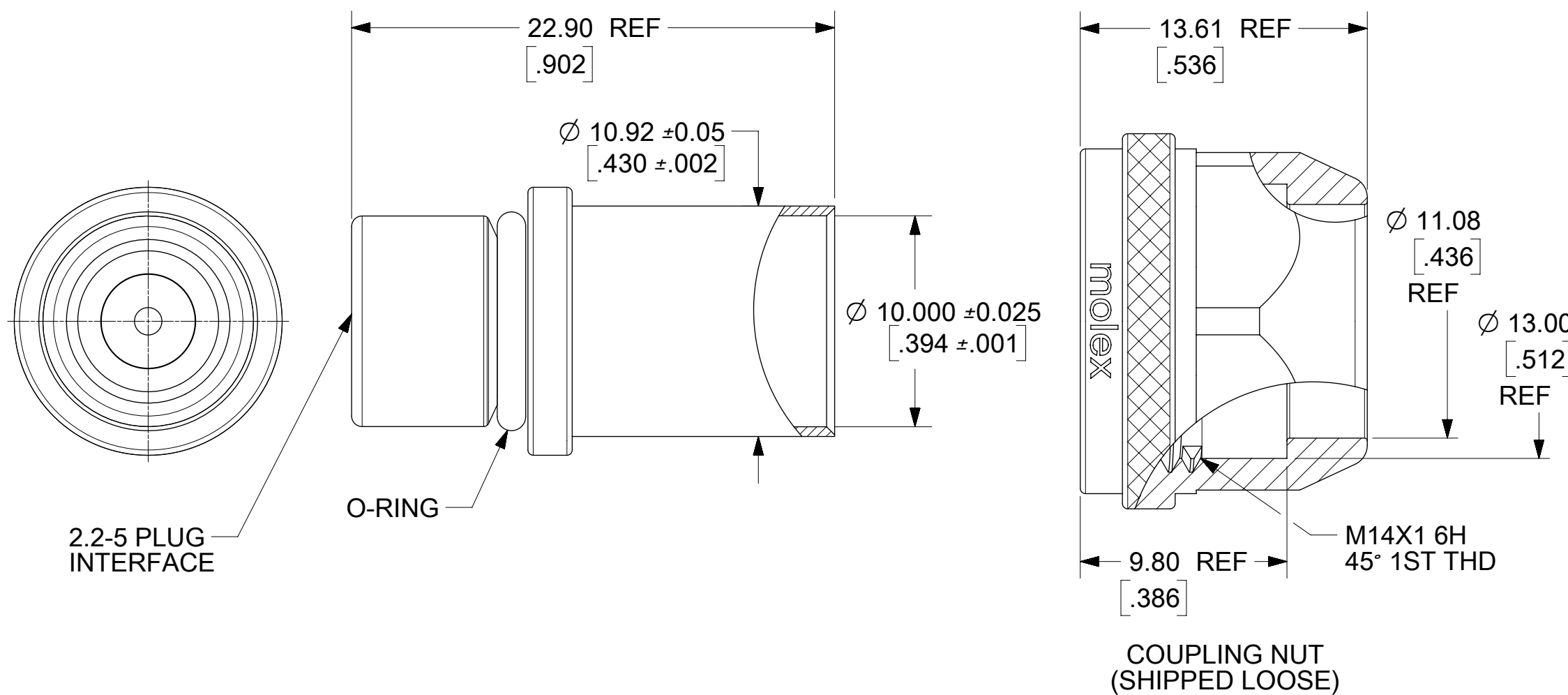
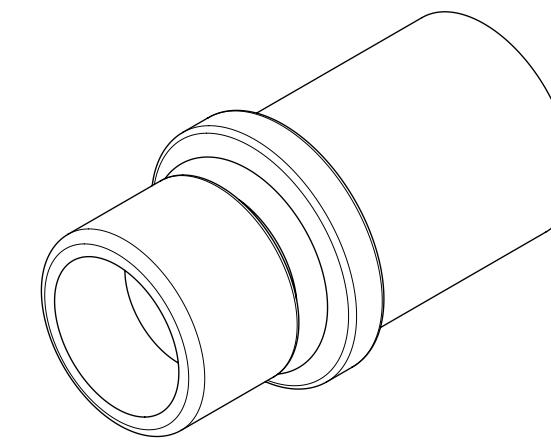
IMPEDANCE: 50 OHMS

WITHSTAND VOLTAGE: 1.5 kV/ 50 Hz

RETURN LOSS (TYPICAL): -36dB, DC TO 6.0GHz

PIM (TYPICAL): <-166dBc @ 2 x 43dBm

WATER PROOF: IP67 (UNMATED)



PART # 73225-3090

2.2-5 INTERFACE SPEC (IEC)	INTERFACE
SPECIFICATION	DESCRIPTION

SYMBOLS ▽ = 0 ▽ = 0 ▽ = 0 ▽ = 0 ▽ = 0 ▽ = 0 ▽ = 0 ▽ = 0 ▽ = 0 ▽ = 0 ▽ = 0	THIS DRAWING CONTAINS INFORMATION THAT IS PROPRIETARY TO MOLEX ELECTRONIC TECHNOLOGIES, LLC AND SHOULD NOT BE USED WITHOUT WRITTEN PERMISSION		DIMENSION UNITS MM		SCALE CURRENT REV DESC: SEE ECM										
	GENERAL TOLERANCES (UNLESS SPECIFIED)		EC NO: 601674 DRWN: APRAKASH01 2018/07/16 CHK'D: BBHARADWAJD 2018/08/02 APPR: AROBERTSON 2018/08/02		PRODUCT CUSTOMER DRAWING										
	4 PLACES ± ± 3 PLACES ± ± 0.01 2 PLACES ± 0.25 ± 1 PLACE ± ± 0 PLACES ± ±		INITIAL REVISION: DRWN: KNSATHYANARA 2018/06/25 APPR: AROBERTSON 2018/06/29		DOCUMENT NUMBER 732253090		DOC TYPE PSD		DOC PART 000	REVISION B					
	ANGULAR TOL ± 2.0°		DRAFT WHERE APPLICABLE MUST REMAIN WITHIN DIMENSIONS		THIRD ANGLE PROJECTION 		DRAWING C-SIZE		SERIES 73225		MATERIAL NUMBER 732253090		CUSTOMER		SHEET NUMBER 1 OF 1

DOCUMENT STATUS	P1	RELEASE DATE	2018/08/02	13:05:18
-----------------	----	--------------	------------	----------