

TABLE OF CONTENTS	
SHEET NO.	SHEET DESCRIPTION
1	NOTES AND BOM
2	CONFIGURATIONS
3	BLADE CAVITY PLUG DETAIL
4	RECEPTACLE CAVITY PLUG DETAIL

BILL OF MATERIALS (BOM)				
DESCRIPTION	PART NUMBER	COLOR	STATUS	MATERIAL
MX150 BLADE, NATURAL	34345-0001	NATURAL	SALEABLE	PBT
MX150 BLADE, BLACK	34345-0002	BLACK	PLANNED OBSOLESCENCE	PBT
MX150 BLADE EXTENDED	34345-0003	BLACK	SALEABLE	PBT
MX150 RECEPTACLE	34345-4001	STONE GRAY	SALEABLE	SPS PA66

NOTES: VALID UNLESS OTHERWISE SPECIFIED

1. GENERAL:

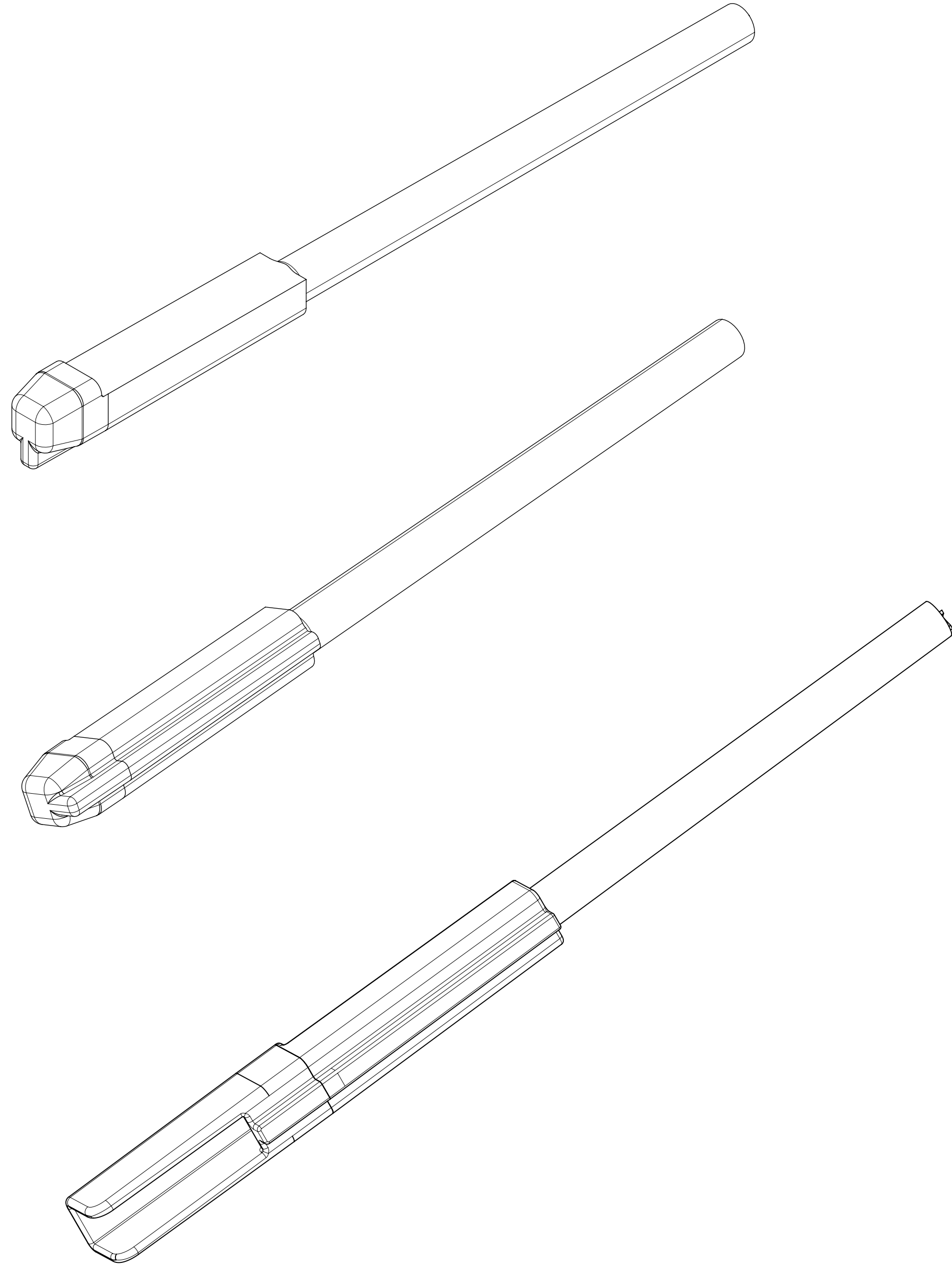
- a. APPLICATION SPECIFICATION SEE: AS-33472-100
  - COMPONENTS ARE OPTIONAL AND MUST BE PURCHASED SEPERATELY
  - FOR ASSEMBLY INSTRUCTIONS SEE THE APPLICATION SPECIFICATION
  - SEAL PLUGS ARE NOT TO BE USED TO REPLACE SHORTING BAR TERMINALS.
- b. PRODUCT SPECIFICATION SEE: N/A
- c. PACKAGING SPECIFICATION PER MOLEX DRAWING: PK-31300-438
- d. PARTS MUST BE IN COMPLIANCE TO MOLEX CHEMICAL SUBSTANCES FOR PRODUCTS AND PACKAGING SPECIFICATION: QEHS-699000-300
- e. DATA MUST BE SUBMITTED UNDER THE MOLEX PART NUMBER TO IMDS (COMPANY ID#13255)

2. DESIGN - MATERIALS:

- a. MATERIAL: SEE TABLE

3. DESIGN - GEOMETRY:

- a. ALL GRAPHIC DATA IS BASIC (NO TOLERANCE) AND MUST BE TAKEN FROM THE DATA FILE AT ITS LATEST REVISION.
- b. GEOMETRIC DIMENSIONS AND TOLERANCES PER ASME Y14.5M - 2009
- c. THE BASIC DIMENSIONS OF THE COMPONENT ARE DEFINED BY THE 3-D CAD DATA. THE CAD MATHEMATICAL DATA IS THE MASTER FOR ALL FEATURES AND IS TO BE USED TO ESTABLISH DIMENSIONAL INFORMATION NOT SHOWN ON THIS DRAWING.
- d. GENERAL TOLERANCES: SEE TITLE BLOCK
- e. EDGES AND UNDIMENSIONED DETAILS PER ISO13715
- f. CORNERS SHOWN AS SHARP TO BE R 0.2 MAX.
- g. LETTERING SHALL BE 0.15 MAX RAISED.
- h. FOR BLADE INSERTION DEPTH FOR RCPT CAVITY PLUG REFER SHEET 4



BALLOON NUMBERS	
REMOVED: 6	

D6	UPDATED RCPT CAVITY PLUG COLOR
D5	ADDED RCPT PLUG MAX. BLADE INSERTION DEPTH
D4	UPDATED BOM P/N DESCRIPTION
D3	UPDATED DIM 20 TOLERANCE
D2	RCPT CAV PLUG DIMS REMOVED
D1	CHANGE PARTS STATUS TO SALEABLE
D	ADDITION OF RECEPTACLE CAVITY PLUG DETAILS
C6	NX RE-MASTERING
REV	DESCRIPTION

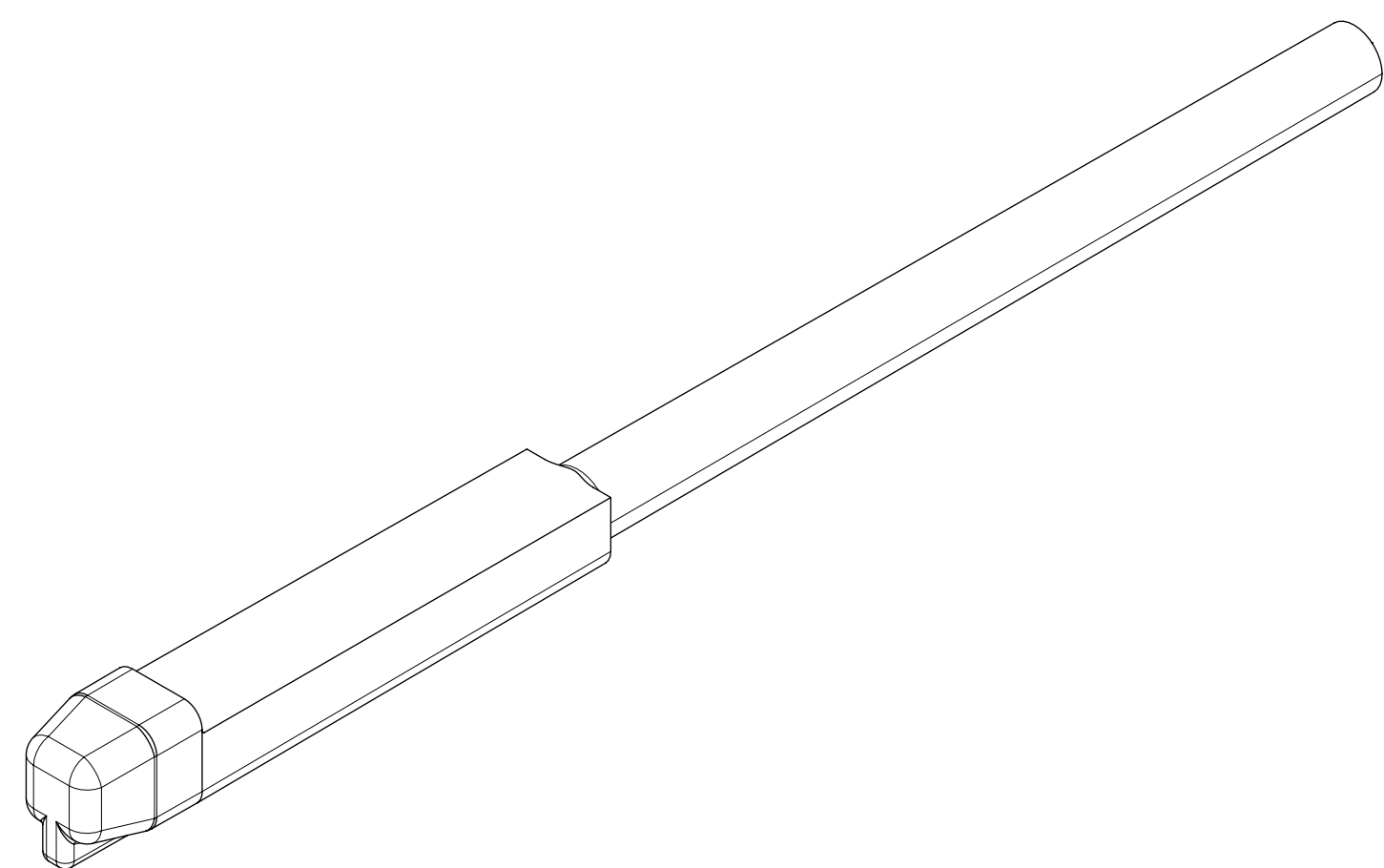
THIS DRAWING CONTAINS INFORMATION THAT IS PROPRIETARY TO MOLEX ELECTRONIC TECHNOLOGIES, LLC AND SHOULD NOT BE USED WITHOUT WRITTEN PERMISSION

EC NO: 681113 DRWN: PPALLAN CHKD: KBORUSZEWSKI REV: APPR: KBORUSZEWSKI	2021/10/12	GENERAL TOLERANCES (UNLESS SPECIFIED)	DIMENSION UNITS	SCALE	
	2021/10/14	ANGULAR TOL ± 3.0 °	MM ONLY	7:1	
	2021/10/14	4 PLACES ±	DRWN BY	DATE	
		3 PLACES ±	MVANSLAM	10/27/05	
		2 PLACES ± 0.1	CHKD BY	DATE	
	1 PLACE ± 0.3	ABUTCHER	10/27/05		
	0 PLACES ±	APPR BY	DATE		
		SMARCEAU	10/27/05		
		DRAFT WHERE APPLICABLE MUST REMAIN WITHIN DIMENSIONS	DRAWING SIZE	THIRD ANGLE PROJECTION	SERIES
			D		34345
					MATERIAL NUMBER
					SEE BOM
					CUSTOMER
					GENERAL MARKET
					DOCUMENT NUMBER
					SD-34345-001
					DOC TYPE
					PSD
					DOC PART
					000
					SHEET NUMBER
					1 OF 4

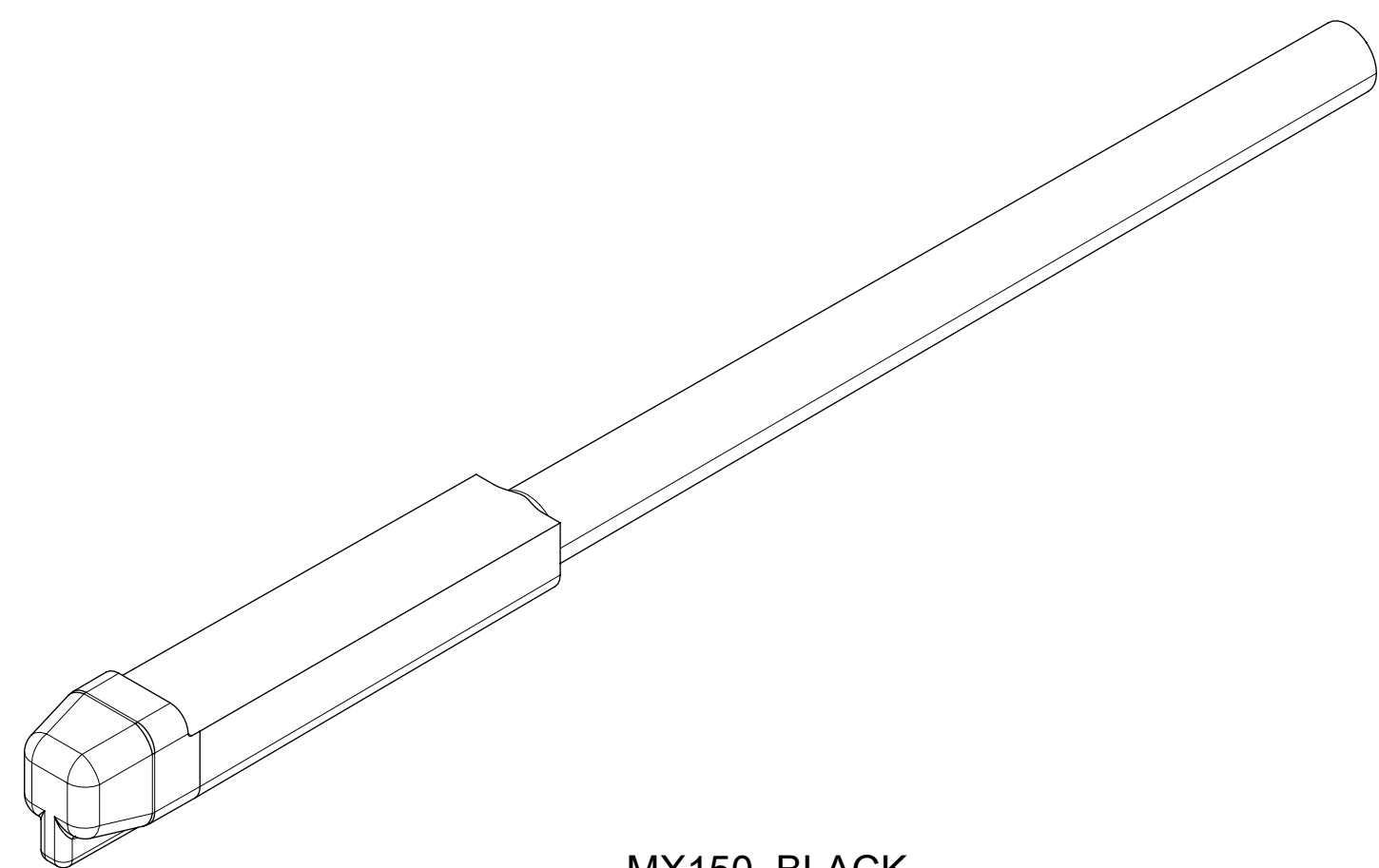
RELEASE STATUS	RELEASE DATE

SHEET DESCRIPTION

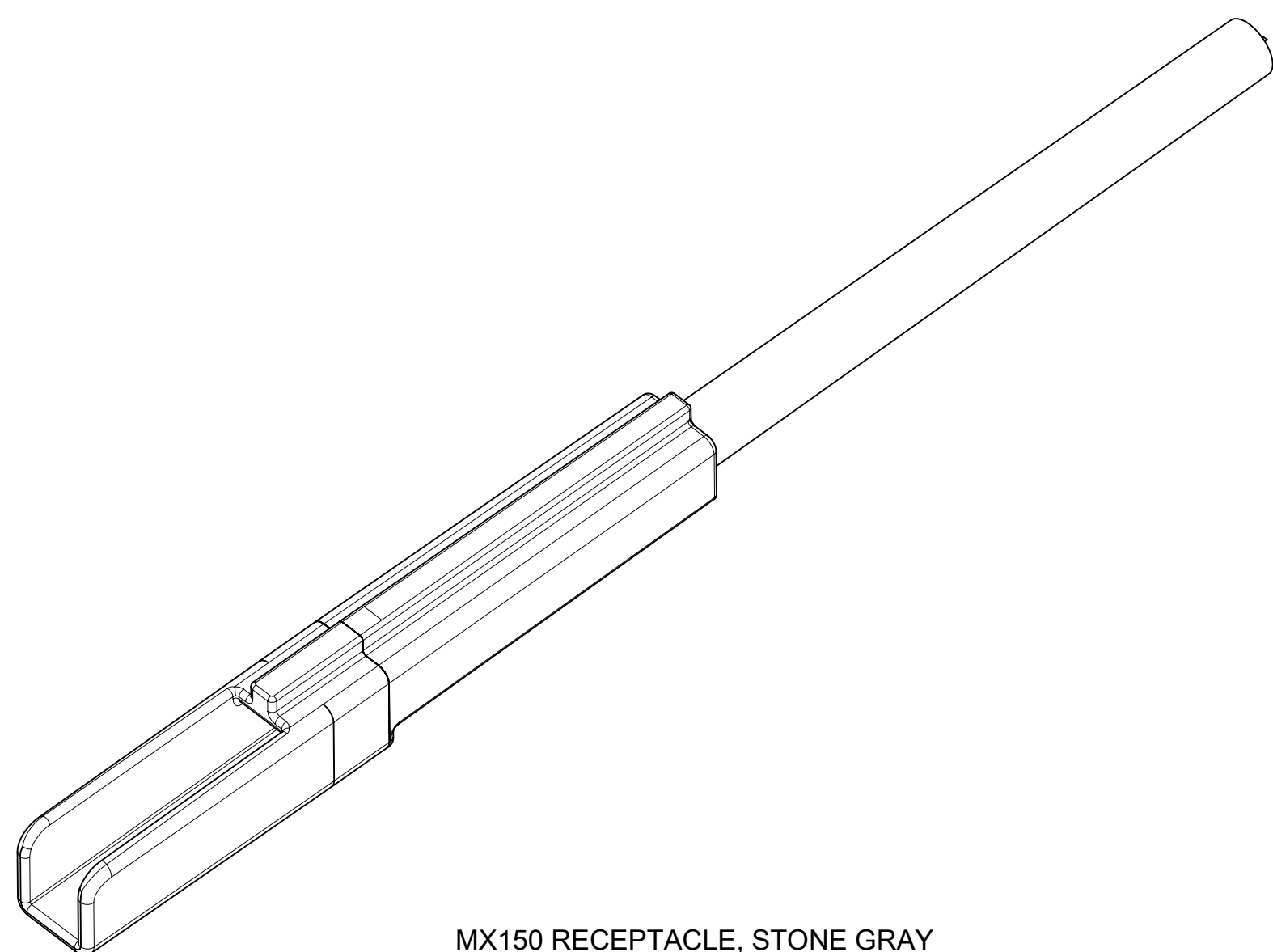
CONFIGURATIONS



MX150, NATURAL



MX150, BLACK

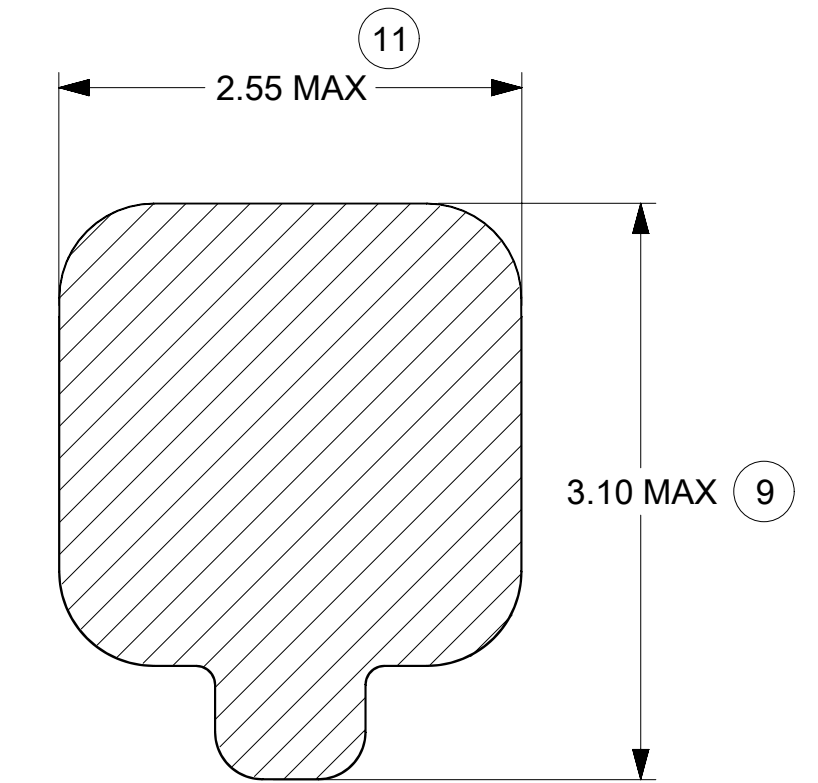
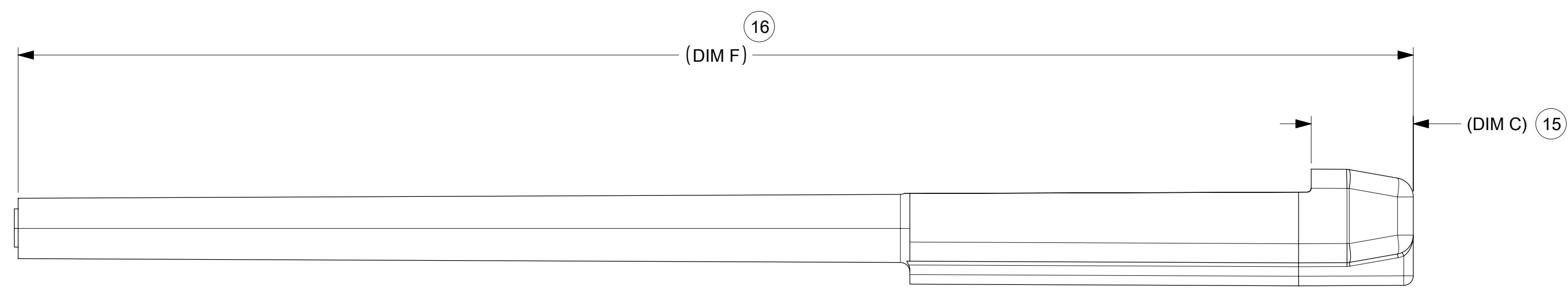
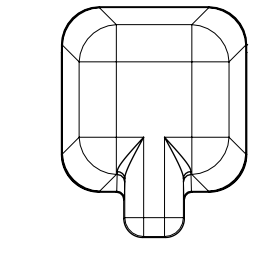
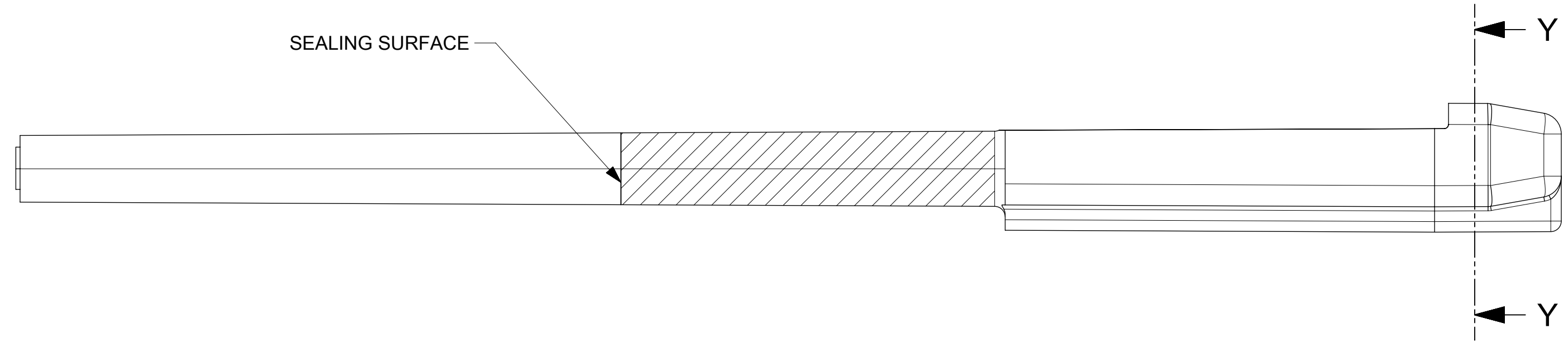
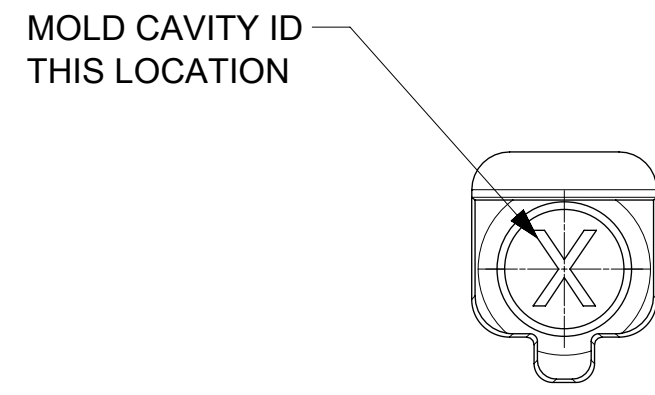


MX150 RECEPTACLE, STONE GRAY

THIS DRAWING CONTAINS INFORMATION THAT IS PROPRIETARY TO MOLEX ELECTRONIC TECHNOLOGIES, LLC AND SHOULD NOT BE USED WITHOUT WRITTEN PERMISSION

EC NO: 681113 DRWN: PPALLAN CHKD: KBORUSZEWSKI REV: APPR: KBORUSZEWSKI	2021/10/12	GENERAL TOLERANCES (UNLESS SPECIFIED)	DIMENSION UNITS	SCALE				
	2021/10/14	ANGULAR TOL ± 3.0 °	MM ONLY	7:1				
	2021/10/14	4 PLACES ±	DRWN BY	DATE	MX150 CAVITY PLUG SEALED			
		3 PLACES ±	MVANSLAM	10/27/05				
		2 PLACES ± 0.1	CHKD BY	DATE	PRODUCT CUSTOMER DRAWING			
		1 PLACE ± 0.3	ABUTCHER	10/27/05				
		0 PLACES ±	APPR BY	DATE	SERIES: 34345 MATERIAL NUMBER: SEE BOM CUSTOMER: GENERAL MARKET			
		DRAFT WHERE APPLICABLE MUST REMAIN WITHIN DIMENSIONS	SMARCEAU	10/27/05				
			DRAWING SIZE	THIRD ANGLE PROJECTION	DOCUMENT NUMBER: SD-34345-001 DOC TYPE: PSD DOC PART: 000 SHEET NUMBER: 2 OF 4			
			D					

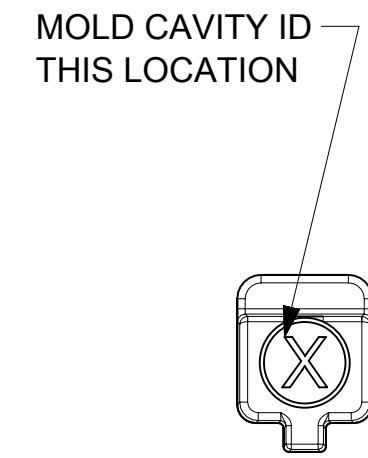
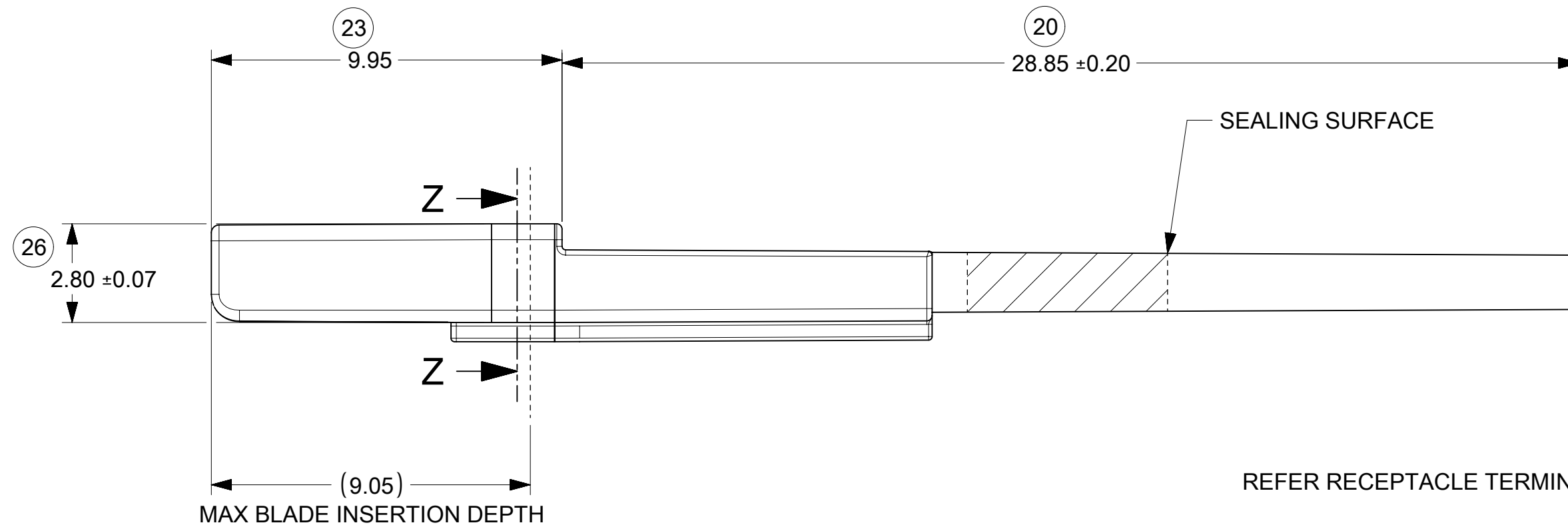
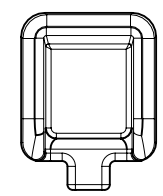
CHARTED DIMENSIONS		
DESCRIPTION	DIMENSIONS	
	C	F
MX150, NATURAL	3	36.8
MX150, BLACK	2.67	36.8
MX150 BLADE EXTENDED	2.67	40.8



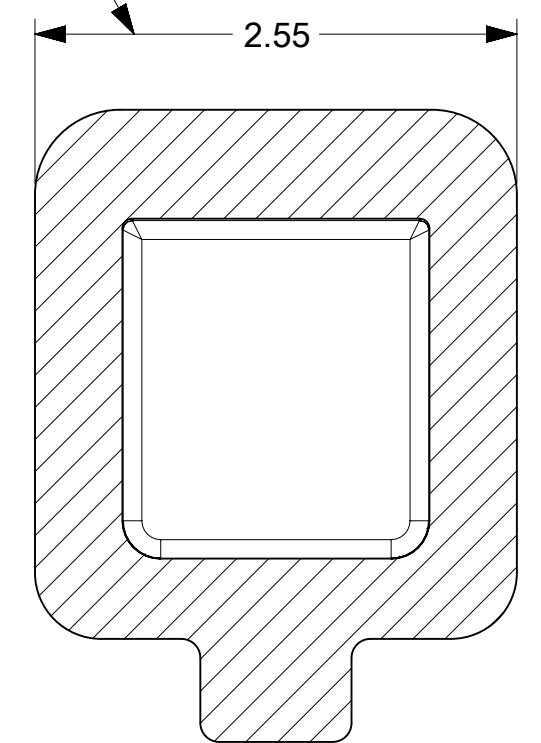
THIS DRAWING CONTAINS INFORMATION THAT IS PROPRIETARY TO MOLEX ELECTRONIC TECHNOLOGIES, LLC AND SHOULD NOT BE USED WITHOUT WRITTEN PERMISSION

EC NO: 681113 DRWN: PPALLAN CHKD: KBORUSZEWSKI REV APPR: KBORUSZEWSKI	2021/10/12	GENERAL TOLERANCES (UNLESS SPECIFIED)	DIMENSION UNITS	SCALE			
	2021/10/14	ANGULAR TOL ± 3.0 °	MM ONLY	10:1			
	2021/10/14	4 PLACES ±	DRWN BY	DATE			
		3 PLACES ±	MVANSLAM	10/27/05			
		2 PLACES ± 0.1	CHKD BY	DATE			
		1 PLACE ± 0.3	ABUTCHER	10/27/05			
	0 PLACES ±	APPR BY	DATE	PRODUCT CUSTOMER DRAWING			
	DRAFT WHERE APPLICABLE MUST REMAIN WITHIN DIMENSIONS	SMARCEAU	10/27/05	SERIES	MATERIAL NUMBER	CUSTOMER	
			DRAWING SIZE	THIRD ANGLE PROJECTION	34345	SEE BOM	GENERAL MARKET
			D		DOCUMENT NUMBER	DOC TYPE	DOC PART SHEET NUMBER
					SD-34345-001	PSD	000 3 OF 4

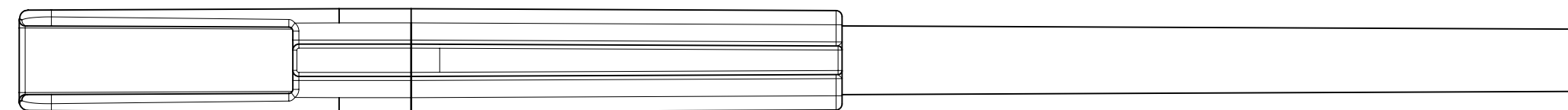
RELEASE STATUS	RELEASE DATE
----------------	--------------



REFER RECEPTACLE TERMINAL DRAWING



SECTION Z-Z



THIS DRAWING CONTAINS INFORMATION THAT IS PROPRIETARY TO MOLEX ELECTRONIC TECHNOLOGIES, LLC AND SHOULD NOT BE USED WITHOUT WRITTEN PERMISSION

DIMENSION UNITS		SCALE		CURRENT REV DESC:				<b>molex</b>							
mm															
GENERAL TOLERANCES (UNLESS SPECIFIED)				EC NO: 681113				MX150 CAVITY PLUG SEALED							
ANGULAR TOL ± 3.0°				DRWN: PPALLAN 2021/10/12											
4 PLACES ±				CHK'D: KBORUSZEWSKI 2021/10/14				PRODUCT CUSTOMER DRAWING							
3 PLACES ±				APPR: KBORUSZEWSKI 2021/10/14											
2 PLACES ± 0.1				INITIAL REVISION:				DOCUMENT NUMBER							
1 PLACE ± 0.3				DRWN: MVANSLAMBROU 2005/12/01				SD-34345-001		DOC TYPE		DOC PART		REVISION	
0 PLACES ±				APPR: SMARCEAU 2005/12/01						PSD		000		D6	
DRAFT WHERE APPLICABLE MUST REMAIN WITHIN DIMENSIONS				THIRD ANGLE PROJECTION		DRAWING		SERIES		MATERIAL NUMBER		CUSTOMER		SHEET NUMBER	
						C-SIZE		34345		GENERAL MARKET		4 OF 4			

DOCUMENT STATUS	P1	RELEASE DATE	2021/10/14	22:51:38
-----------------	----	--------------	------------	----------