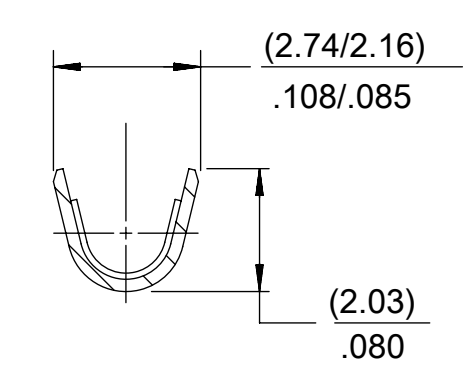
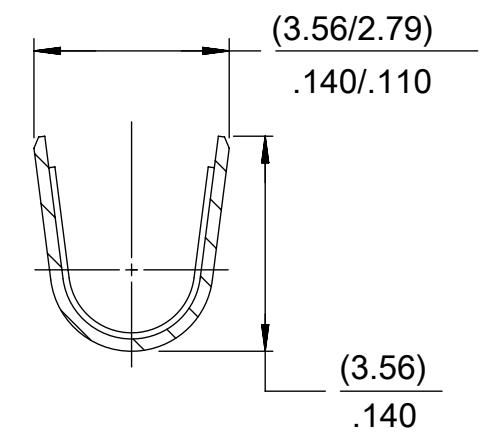


PART NO.	ENG. NO.
02-06-1101	1561-(P901)
02-06-1103	1561-(P901)L
02-06-5101	1561-(P561)
02-06-5102	1561-(P561)L
02-06-5108	1561-(P228)
02-06-5109	1561-(P228)L
02-06-5100	1561-(P550)
02-06-5103	1561-(P550)L
NOT TOOLED	1561-1(P901)L



**SECT. "B-B"**  
SCALE:10X



**SECT. "C-C"**  
SCALE:10X

**LEGEND**

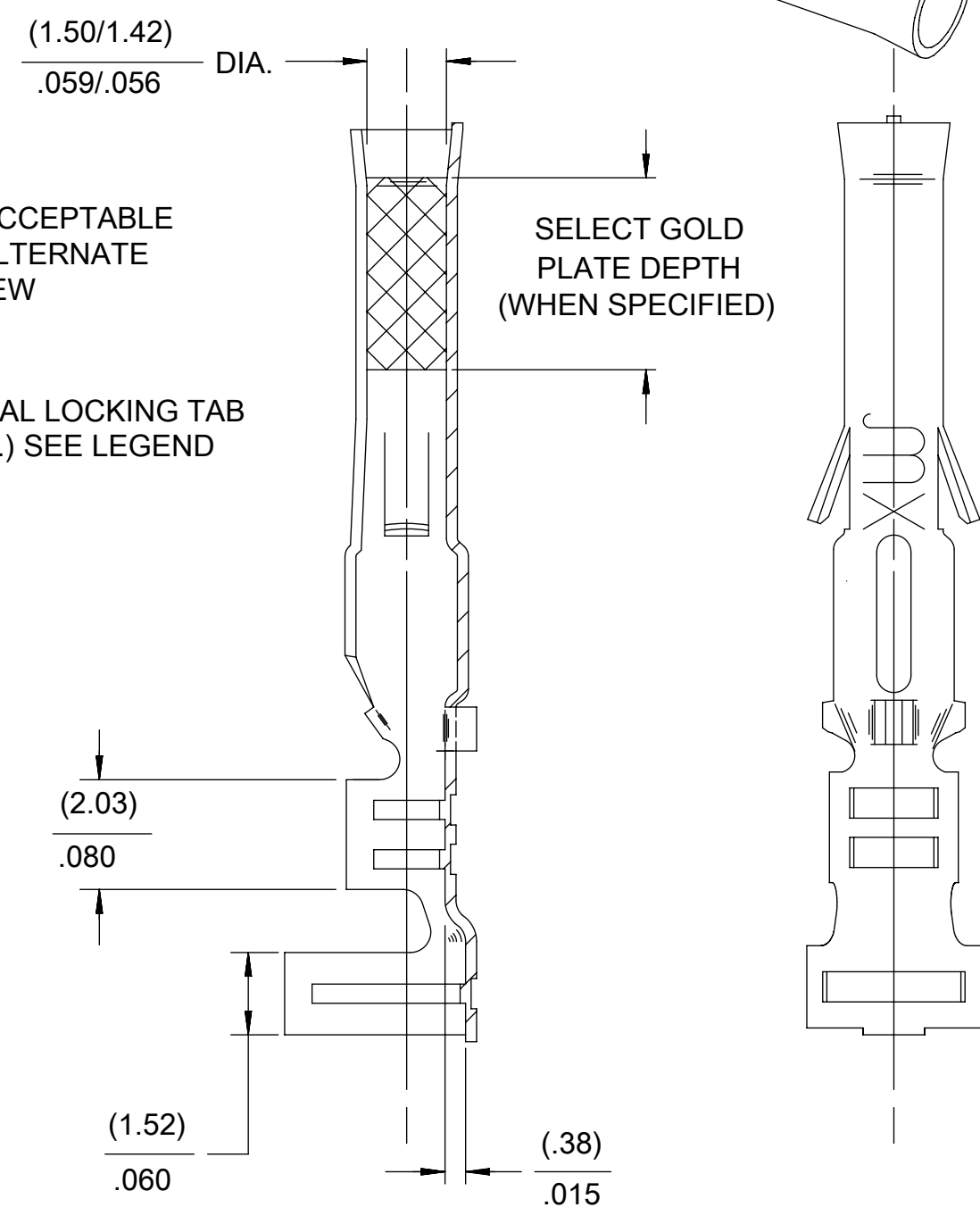
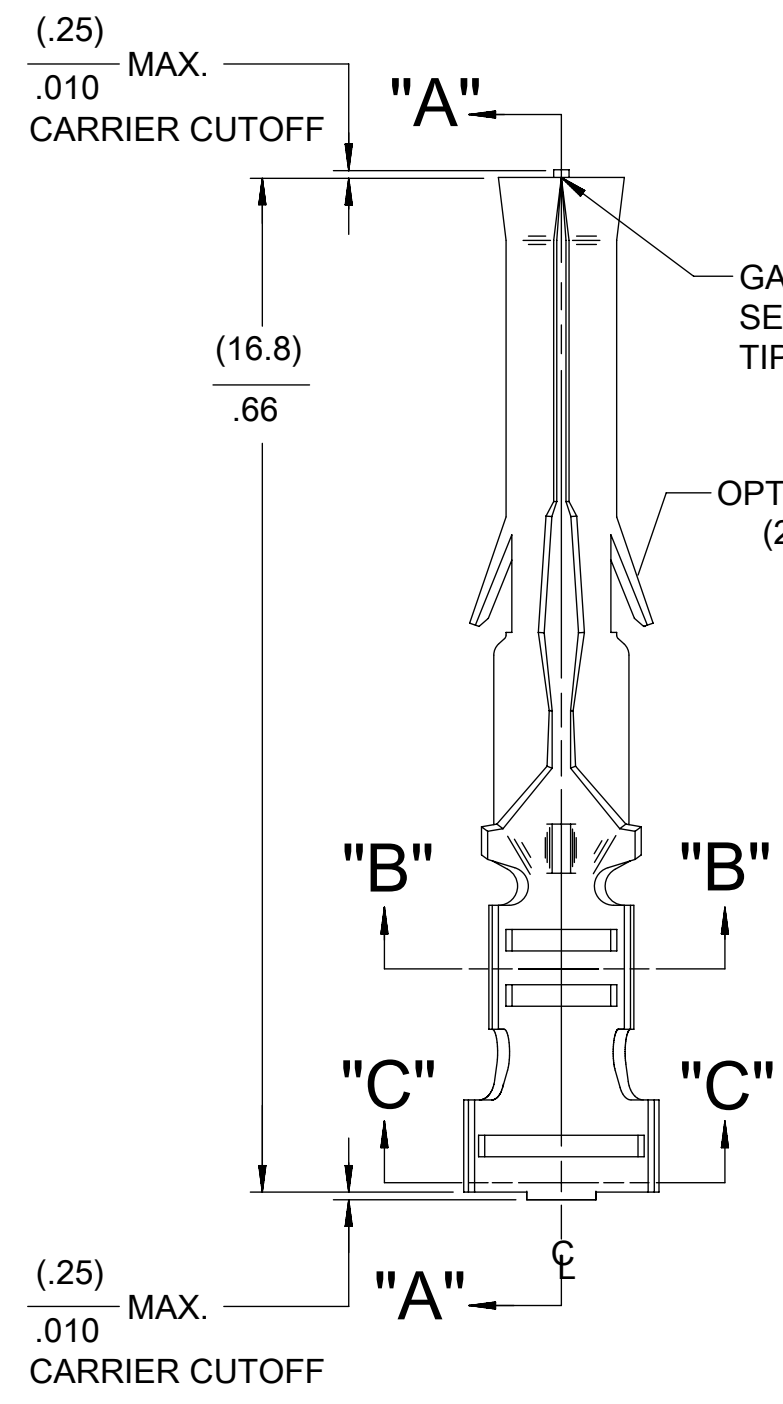
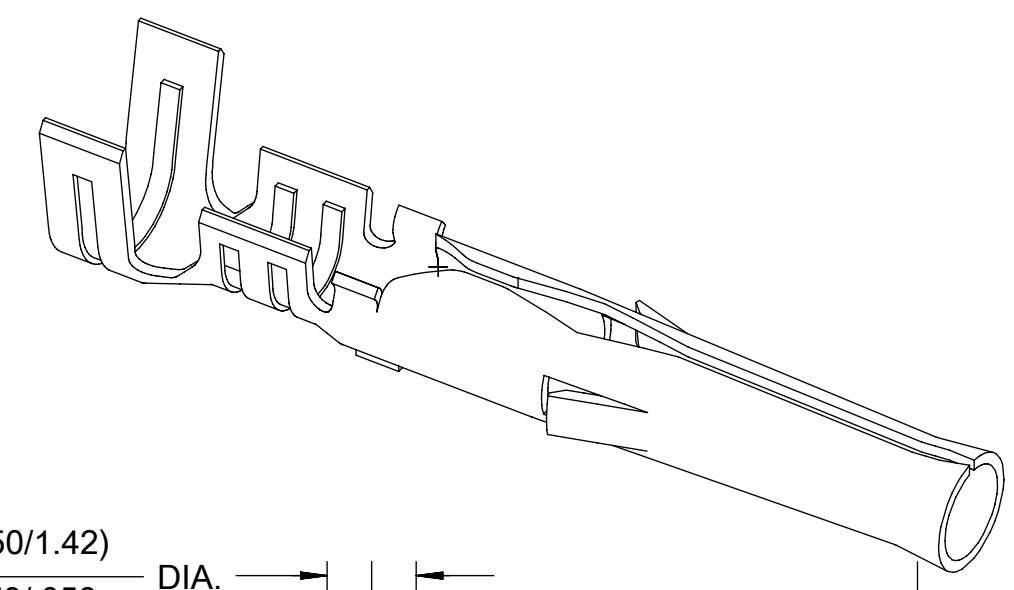
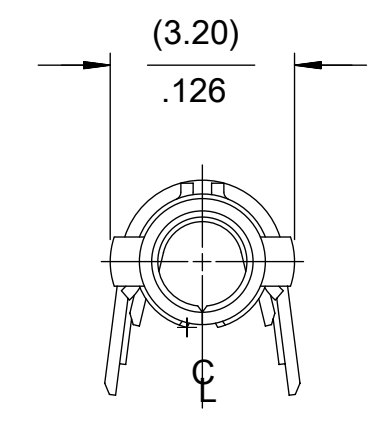
1561-\*(\*\*\*\*)\*

BLANK=WITH LOCKING TABS  
1=WITHOUT LOCKING TABS

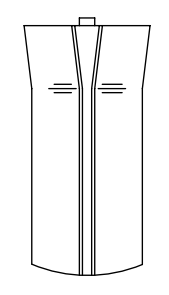
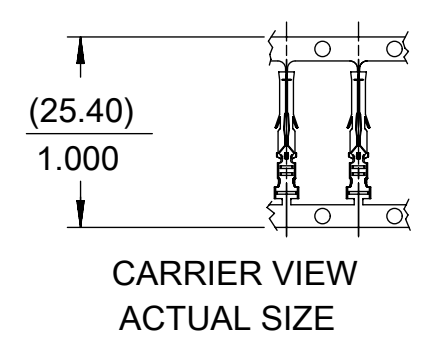
P=PREPLATE  
BLANK=POSTPLATE

FORM  
BLANK=CHAIN  
L=LOOSE

FINISH CODE



**SECT. "A-A"**



ALTERNATE TIP GEOMETRY  
SEE NOTE 7

- NOTES:
- MATERIAL: BRASS
  - FINISH:
    - 901 HOT TIN DIP (.00051)/.000020 MIN.
    - 228 SELECT GOLD PLATE (.00075)/.000030 MIN. IN CONTACT AREA, SELECT TIN. (.00250)/.000100 MIN. IN CRIMP AREA OVER (.00125)/.000050 MIN. NICKEL OVERALL.
    - 561 SELECT GOLD PLATE (.00076)/.000030 MIN. IN CONTACT AREA, OVER (.00127)/.000050 MIN. NICKEL OVERALL.
    - 591 SELECT GOLD PLATE (.00175)/.000050 MIN. IN CONTACT AREA, OVER (.00127)/.000050 MIN. NICKEL OVERALL WITH (.000025)/.000010 MAX. GOLD FLASH OVERALL.
    - 550 SELECT GOLD PLATE (.00038)/.000015 MIN. IN CONTACT AREA, OVER (.00076)/.000030 MIN. NICKEL OVERALL WITH (.000025)/.000010 MAX. GOLD FLASH OVERALL.
  - PRODUCT SPECIFICATION: PS-02-06.
  - PACKAGING INFORMATION:
    - LOOSE TERMINALS: PK-1190-003
    - CHAIN TERMINALS: 15610000-PK
  - TERMINAL FOR USE WITH (1.57)/.062 DIA. SERIES HOUSINGS AND WILL ACCEPT 18 THRU 24 AWG WIRE WITH (1.52/3.05)/.060/.120 INSULATION DIA.
  - PARTS CONFORM TO CLASS B REQUIREMENTS OF COSMETIC SPECIFICATION PS-45499-002.
  - TIP GEOMETRY IS TOOL DEPENDENT. EITHER GEOMETRY IS ACCEPTABLE.

FUNCTIONAL SYMBOLS	THIS DRAWING CONTAINS INFORMATION THAT IS PROPRIETARY TO MOLEX ELECTRONIC TECHNOLOGIES, LLC AND SHOULD NOT BE USED WITHOUT WRITTEN PERMISSION			
	DIMENSION UNITS	SCALE	CURRENT REV DESC: OBSOLETE PART NUMBER AS PER PCN#509988	
$\frac{F}{A} = 0$	MM/IN	NTS	EC NO: 704776 DRWN: SUGEEB CHK'D: GGA APPR: GGA 2022/03/24 2022/05/24 2022/05/24	
$\frac{F}{C} = 0$	GENERAL TOLERANCES (UNLESS SPECIFIED)			
$\frac{F}{P} = 0$				
DIVISIONAL SYMBOLS				
			INITIAL REVISION:	
			DRWN: GEW	1991/02/19
			APPR: GWF	1991/02/19
			THIRD ANGLE PROJECTION	
			DRAWING	SERIES
			C-SIZE	1561
			MATERIAL NUMBER	CUSTOMER
			SEE TABLE	GENERAL MARKET
			DOCUMENT NUMBER	DOC TYPE   DOC PART   REVISION
			SD-1561-X	PSD   001   AP4
			SHEET NUMBER	1 OF 1