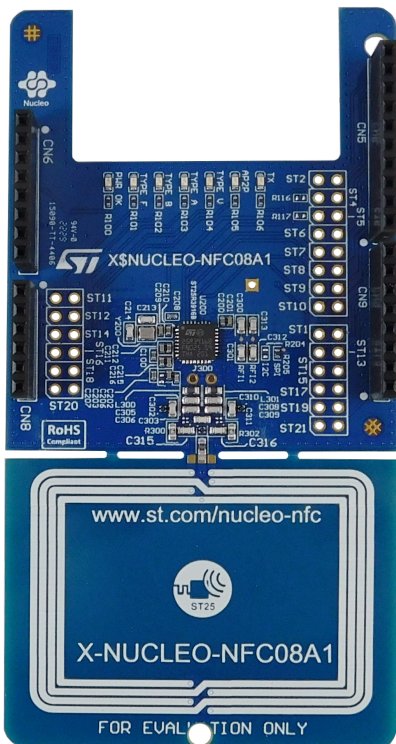


NFC card reader expansion board based on ST25R3916B for STM32 and STM8 Nucleos



Features

- On-board NFC card reader IC: [ST25R3916B](#)
- 47 mm x 34 mm, four turns, 13.56 MHz inductive antenna etched on PCB and associated tuning circuit
- Six general-purpose LEDs
- ISO 18092 passive and active initiator, ISO 18092 passive, and active target
- NFC-A and NFC-F card emulation
- ISO 14443A and ISO14443B
- ISO 15693
- FeliCa™
- Up to 1.7 W output power with differential antenna
- Possibility of driving two antennas in single-ended configuration
- Inductive wake-up
- Automatic antenna-tuning system
- Transparent and stream modes to implement MIFARE™ classic compliant or other custom protocols
- Equipped with Arduino UNO R3 connector
- Free comprehensive development firmware library compatible with [STM32Cube](#) and samples for [ST25R3916B](#)
- Scalable solution for multiple board cascade
- FCC certified
- RoHS and WEEE compliant

Description

The [X-NUCLEO-NFC08A1](#) NFC card reader expansion board is based on the [ST25R3916B](#) device.

The expansion board is configured to support ISO14443A/B, ISO15693, FeliCa™, and AP2P communication.

The [ST25R3916B](#) manages frame coding and decoding in reader mode for standard applications, such as NFC, proximity, and vicinity HF RFID standards. It supports ISO/IEC 14443 type A and B, ISO/IEC 15693 (single subcarrier only) and ISO/IEC 18092 communication protocols as well as the detection, reading and writing of NFC forum type 1, 2, 3, 4, and 5 tags.

The on-board low-power capacitive sensor performs ultra-low power wake-up without switching the reader field on and traditional inductive wake-up to select amplitude or phase measurement.

The automatic antenna tuning (AAT) technology enables operation close to metallic parts and/or in changing environments.

Product summary	
NFC card reader expansion board based on ST25R3916B for STM32 and STM8 Nucleos	X-NUCLEO-NFC08A1
High-performance NFC universal device and EMVCo reader	ST25R3916B-AQWT
High-performance HF reader/NFC initiator IC software expansion for STM32Cube	X-CUBE-NFC6
Applications	Wireless Connectivity

1 Schematic diagrams

Figure 1. X-NUCLEO-NFC08A1 circuit schematic (1 of 3)

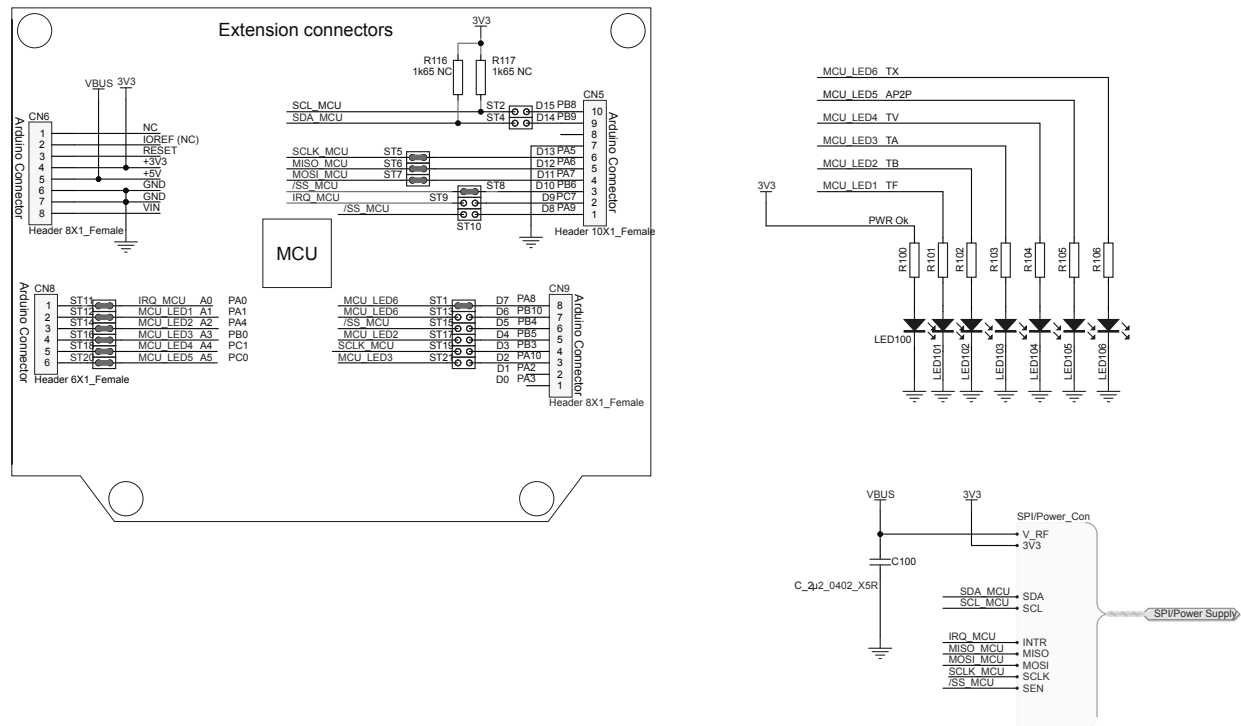


Figure 2. X-NUCLEO-NFC08A1 circuit schematic (2 of 3)

ST25R3916 NFC Initiator / HF Reader

Controller Interface

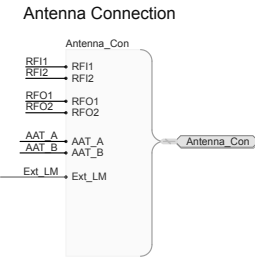
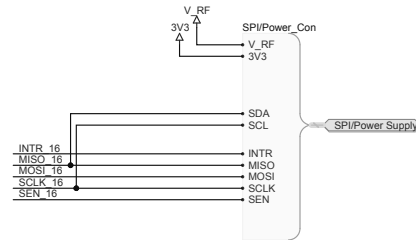
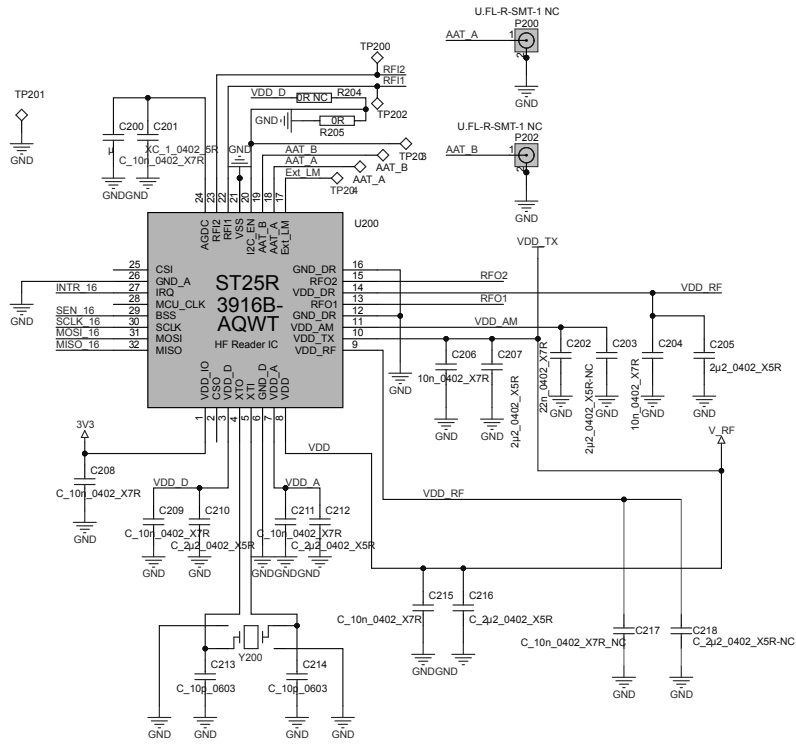
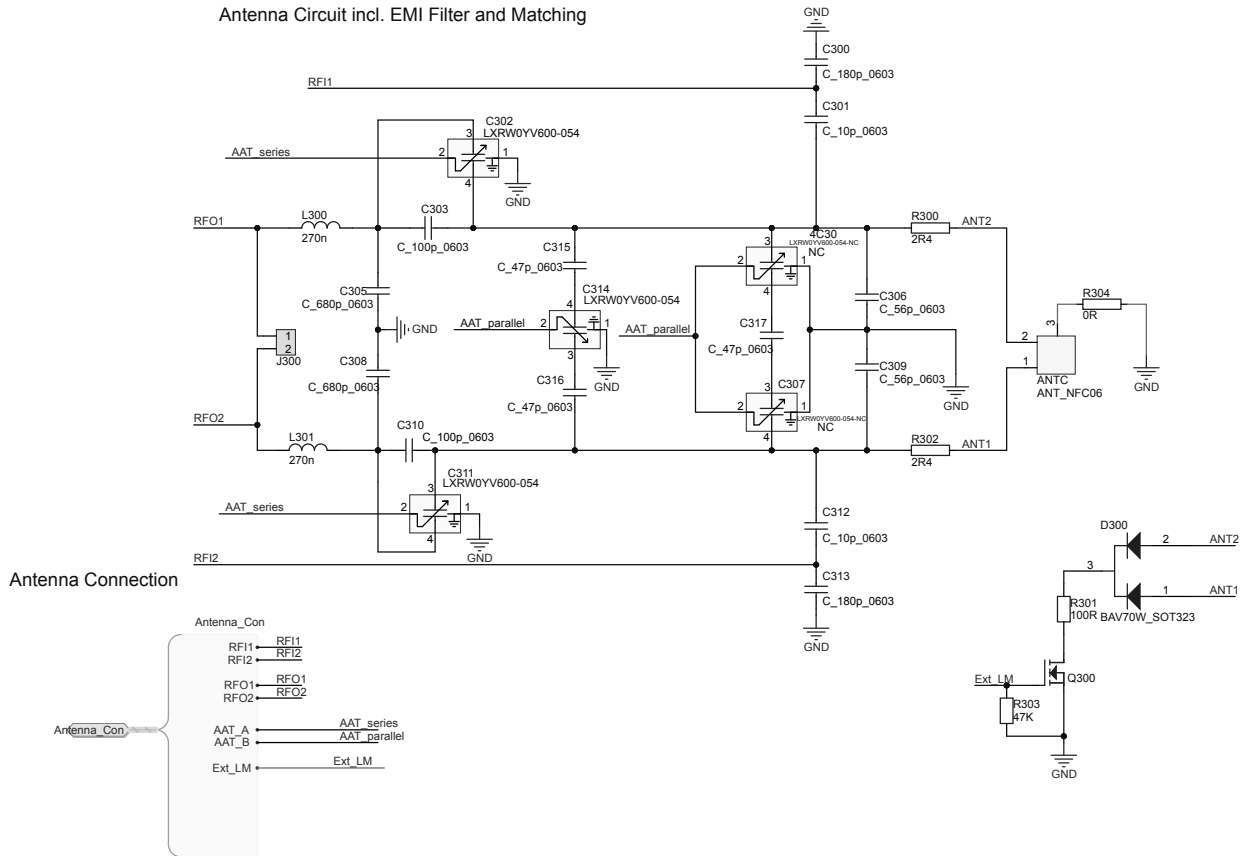


Figure 3. X-NUCLEO-NFC08A1 circuit schematic (3 of 3)

Antenna Circuit incl. EMI Filter and Matching



Revision history

Table 1. Document revision history

Date	Revision	Changes
14-Sep-2022	1	Initial release.

IMPORTANT NOTICE – READ CAREFULLY

STMicroelectronics NV and its subsidiaries (“ST”) reserve the right to make changes, corrections, enhancements, modifications, and improvements to ST products and/or to this document at any time without notice. Purchasers should obtain the latest relevant information on ST products before placing orders. ST products are sold pursuant to ST’s terms and conditions of sale in place at the time of order acknowledgment.

Purchasers are solely responsible for the choice, selection, and use of ST products and ST assumes no liability for application assistance or the design of purchasers’ products.

No license, express or implied, to any intellectual property right is granted by ST herein.

Resale of ST products with provisions different from the information set forth herein shall void any warranty granted by ST for such product.

ST and the ST logo are trademarks of ST. For additional information about ST trademarks, refer to www.st.com/trademarks. All other product or service names are the property of their respective owners.

Information in this document supersedes and replaces information previously supplied in any prior versions of this document.

© 2022 STMicroelectronics – All rights reserved