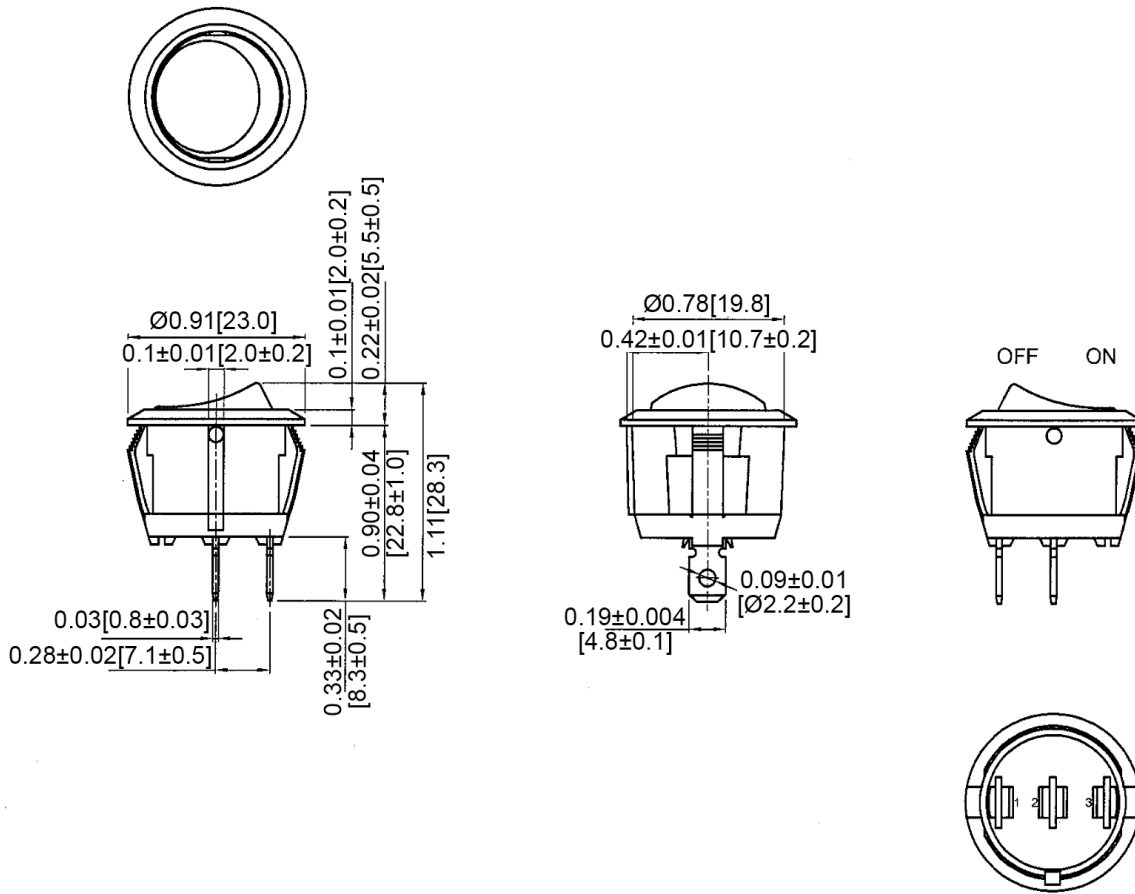
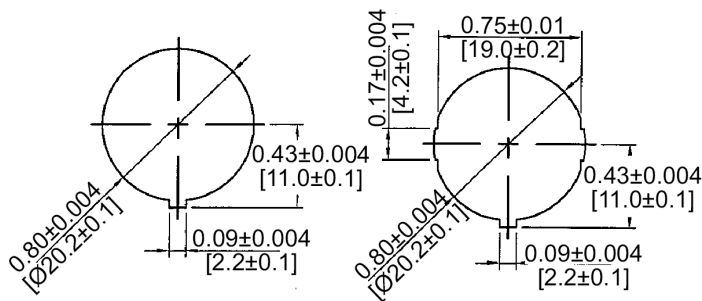


Mechanical Dimensions: Inches [mm]

Tolerances ± 0.012 [0.3] Unless Otherwise Specified



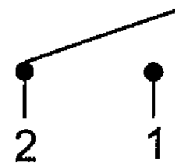
Mounting Hole



Thickness: 0.1~0.12 [2.0~3.0] | 0.03~0.12 [0.7~3.0]

Circuit Diagram

2P SPST OFF-ON



Electrical Specifications

Rating	20A 14V DC, 10A 28V DC
Contact Resistance	50m ohm Max
Insulation Resistance	DC 500V 100M ohm Min
Dielectric Strength	AC 1500V 1 minute
Operation Temperature	-25°C~85°C

Material Specifications

Frame	Special White, Nylon 66 (94-V2)
Actuator	Special White, Nylon 66 (94-V2)
Terminals	Copper Alloy, Silver plating

Rev	Date of issue	Revision Notes	Designed	Approved
B	06-08-2021	Initial Drawing	RC	OF