

SAW Filter 897.50MHz
Part No: MP03352

Model: TA1003A
Rev No: 1

A. MAXIMUM RATING:

1. Input Power Level: 20dBm
2. DC voltage: 3V
3. Operating Temperature: -20°C to +75°C
4. Storage Temperature: -40°C to +85°C

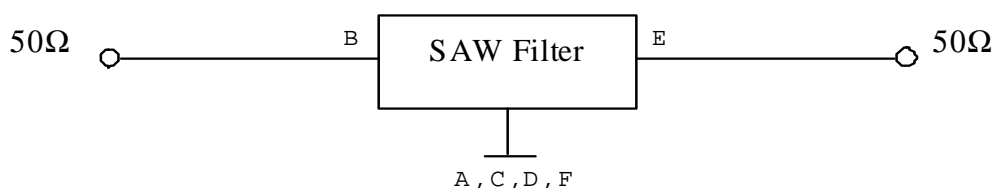
B. ELECTRICAL CHARACTERISTICS:

Item	Unit	Min.	Typ.	Max.
Center frequency Fc	MHz	-	897.5	-
Insertion loss (880 ~ 915MHz) IL	dB	-	2.1	3.0
Amplitude ripple (880 ~ 915MHz)	dB	-	1.0	2.0
Attenuation (Reference level from 0dB)				
DC ~ 860MHz	dB	17	19	-
925 ~ 935MHz	dB	5	12.4	-
935 ~ 960MHz	dB	20	24	-
980 ~ 2000MHz	dB	20	22	-
VSWR (880 ~ 915MHz)		-	2	2.6
Source impedance Z _S	Ω	-	50	-
Load impedance Z _L	Ω	-	50	-

Note: The standard definitions is in JIS C 6703

C. MEASUREMENT CIRCUIT:

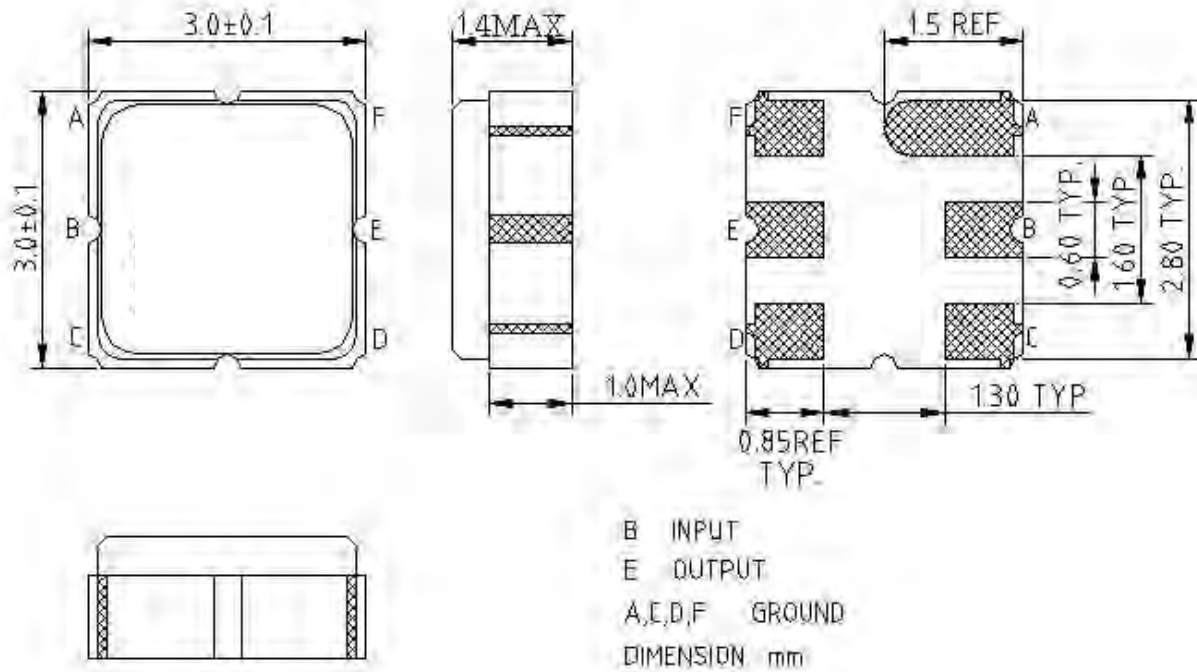
HP Network analyzer



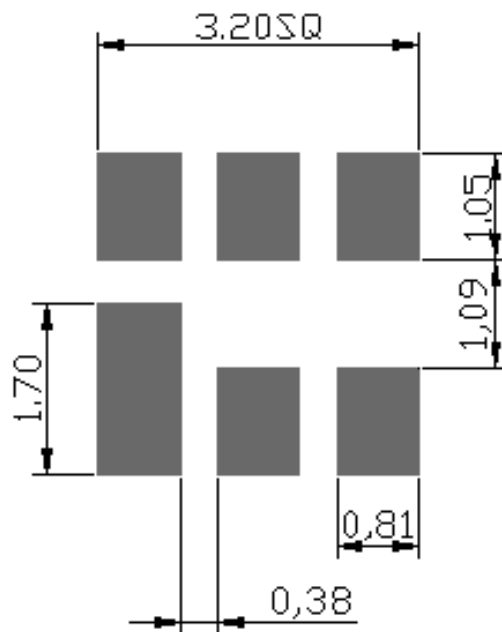
SAW Filter 897.50MHz
Part No: MP03352

Model: TA1003A
Rev No: 1

D. OUTLINE DRAWING:



E. PCB FOOTPRINT:

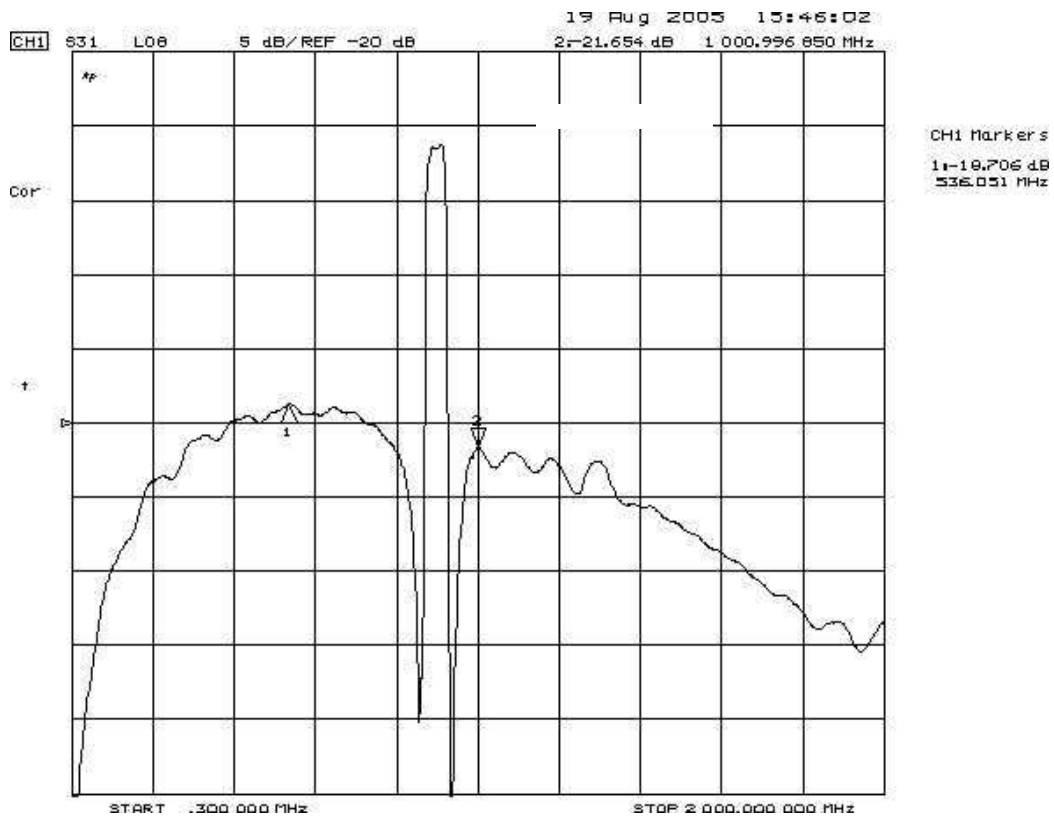
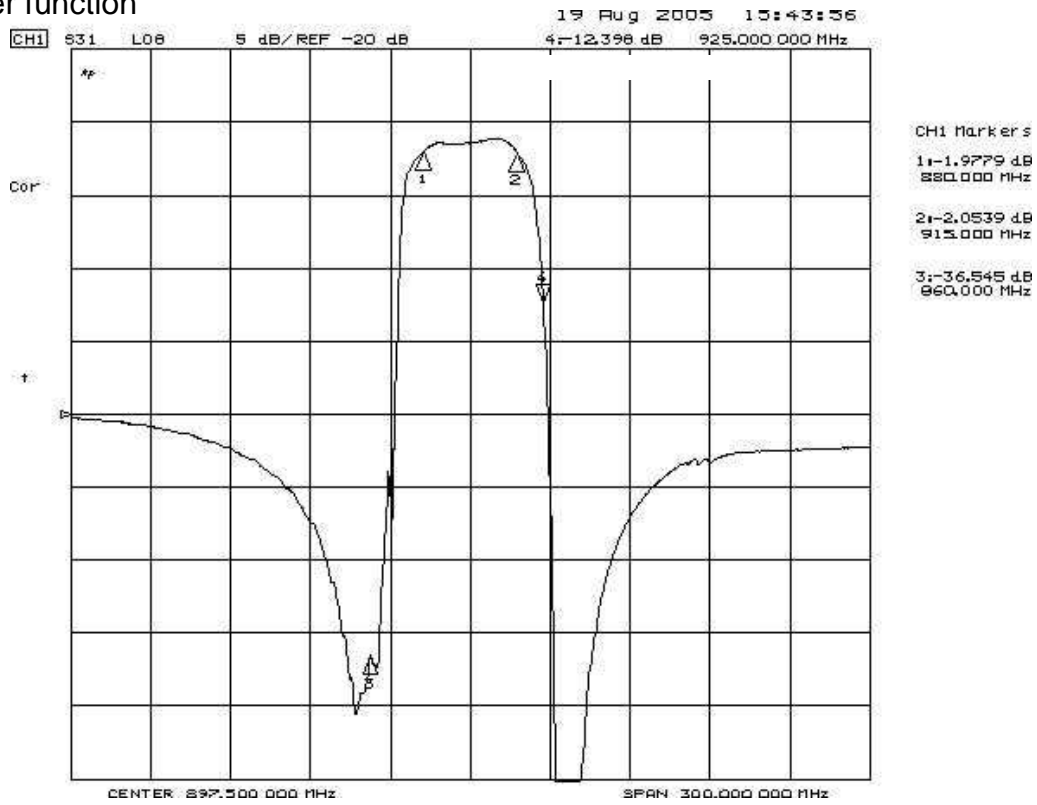


SAW Filter 897.50MHz
Part No: MP03352

Model: TA1003A
Rev No: 1

F. FREQUENCY CHARACTERISTICS:

Transfer function

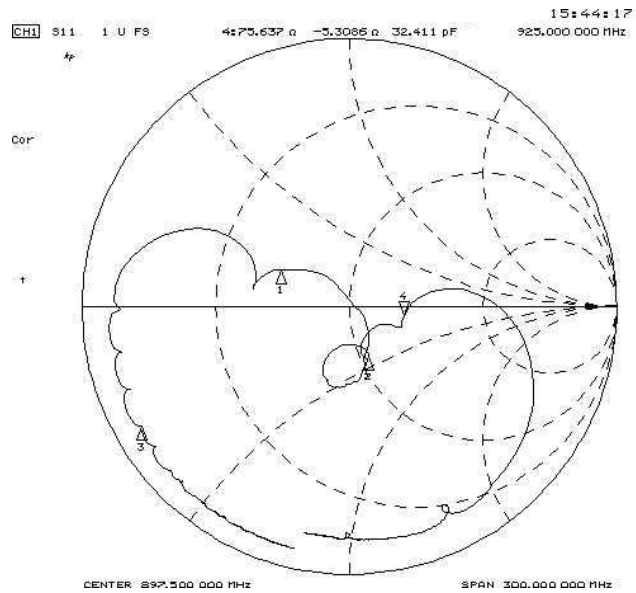
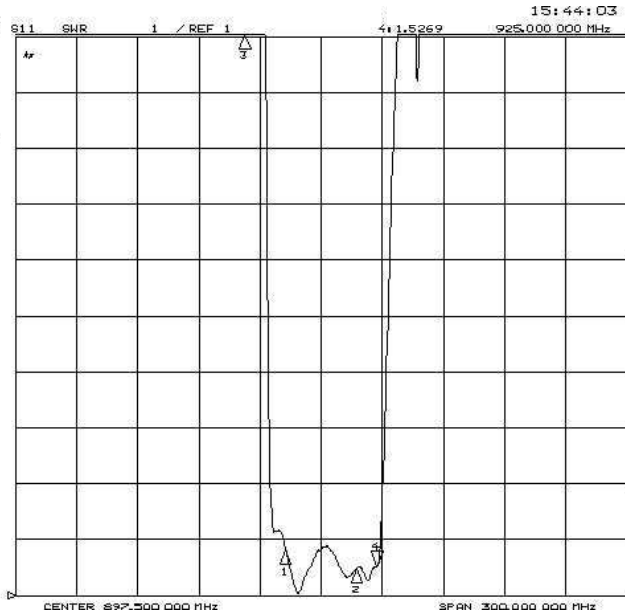


SAW Filter 897.50MHz
Part No: MP03352

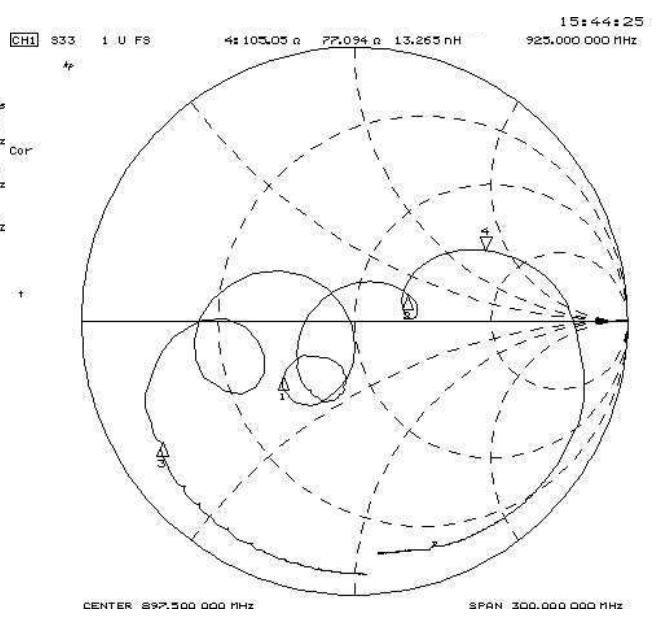
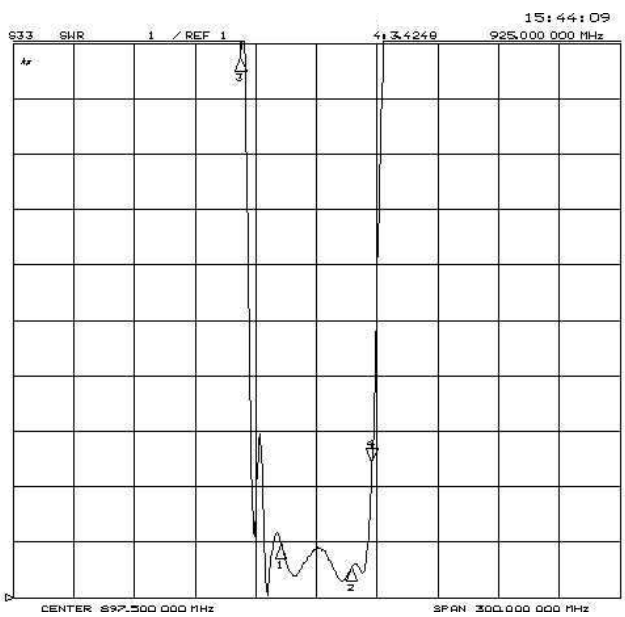
Model: TA1003A
Rev No: 1

Reflections Functions

S11



S22

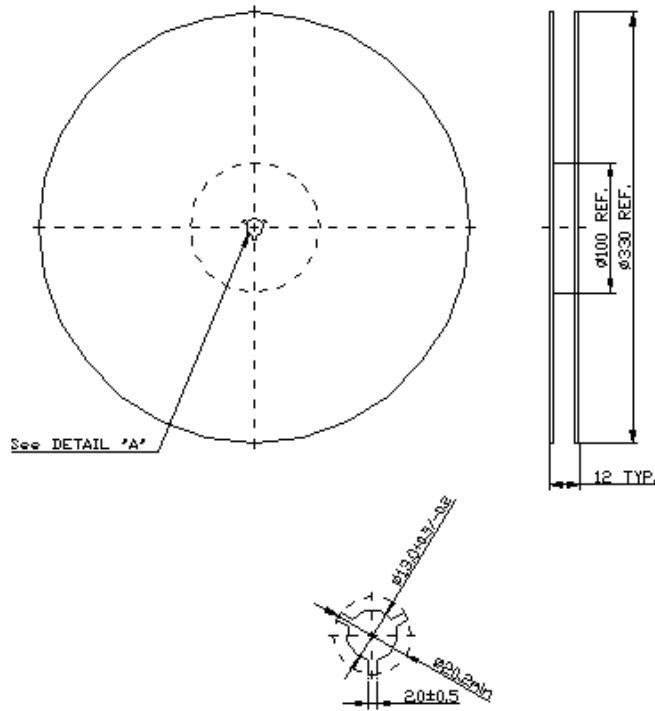


SAW Filter 897.50MHz
Part No: MP03352

Model: TA1003A
Rev No: 1

G. PACKING:

1. REEL DIMENSION



2. TAPE DIMENSION

