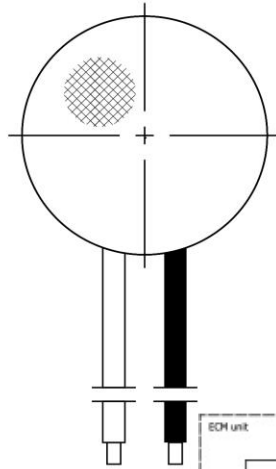
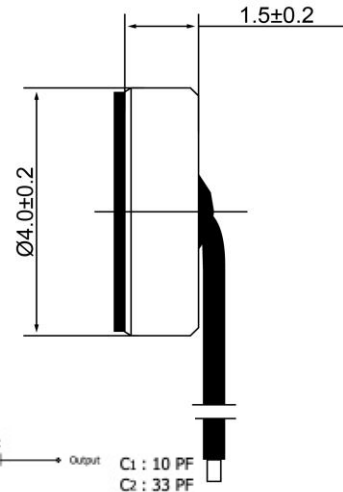


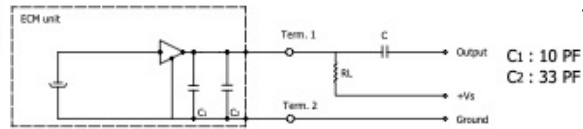
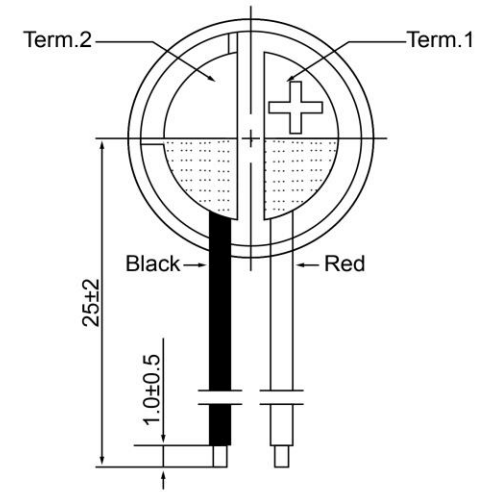
TOP VIEW









SIDE VIEW



BOTTOM VIEW



| Specifications | | | Notes | Revision History | | | | | |
|--|--------------------|-------|--|------------------|---------------------------|--|--|--|--|
| Description | Value | Unit | | Version | Description | Date | Approved | | |
| Directivity | Omnidirectional | | 1) All dimensions are in mm unless otherwise noted 2) All parts meet RoHS | 1 | Released from Engineering | 10/21/2013 | J.S | | |
| Technology | Electret Condenser | | | | | | | | |
| Sensitivity | -42 | (dB) | | | | | | | |
| Frequency Range | 50 ~ 16,000 | (Hz) | | | | | | | |
| Rated Voltage | 2 | (V) | | | | | | | |
| Output Impedance | 2,200 | (Ohm) | | | | | | | |
| Connection Method | Lead Wire | | | | | | | | |
| Voltage Range | 2 ~ 10 | (V) | | | | | | | |
| Max Rated Current | 0.5 | (mA) | | | | | | | |
| Minimum Signal to Noise Ratio | >60 | (dB) | | | | | | | |
| Operating Temperature | -20 ~ +60 | °C | | | | | | | |
| Storage Temperature | -25 ~ +70 | °C | | | | | | | |
|  | | |  | | | Electret Condenser Microphone | | MO044202-3 | |
| | | | | | |  |  |  |  |

Additional considerations can be found at www.dbunlimitedco.com/technical-articles.