



## Sales Outline Drawing

### Specifications:

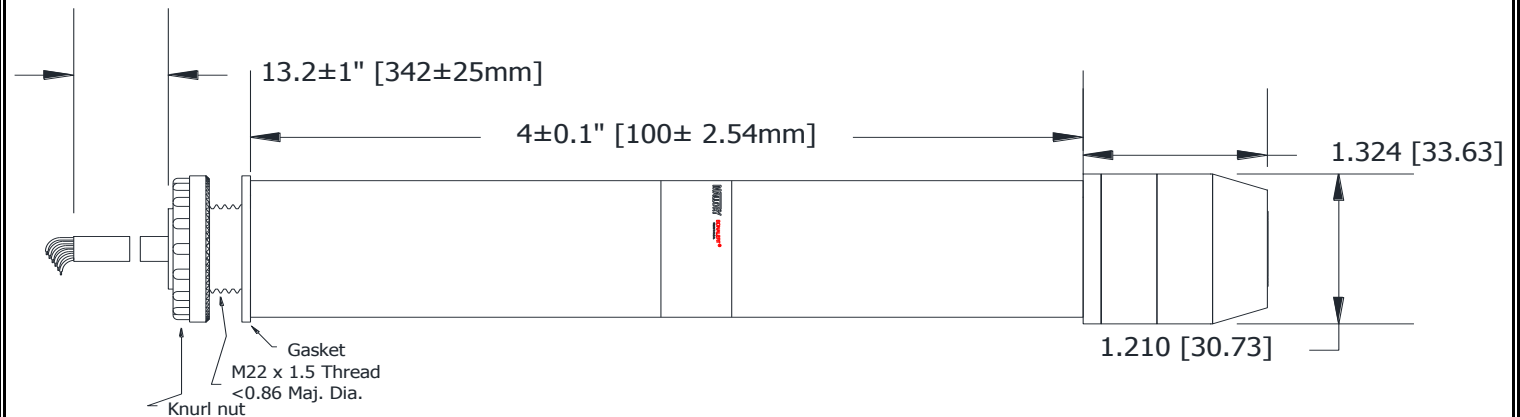
|                         |   |          |          |
|-------------------------|---|----------|----------|
| Sound Level Category    | Loud  |          |          |
| Mode of Operation       | Chime Sound @ 3 Seconds for 15 Seconds, then 0.1s beep @ 1 PPS until reset. |          |          |
| Voltage Rating          | 9 to 16 VDC   |          |          |
| Frequency               | 3900 ± 500 Hz   |          |          |
| Loudness @ 1M           | 80 to 85 dB(A) Typ.   |          |          |
| Sound Current Draw      | 40mA MAX  |          |          |
| Stack Level             | BOTTOM  | MIDDLE   | TOP      |
| LED Color               | GREEN   | YELLOW   | RED      |
| LED Current Draw        | 25mA max  | 60mA MAX | 60mA MAX |
| Total Max Current Draw  | 185mA MAX   |          |          |
| Housing Material        | 6/6 Nylon, Color: Black   |          |          |
| Top Cap / Lens Material | 6/6 Nylon, Color: Opaque White  |          |          |
| Storage Temperature     | -40° to +70° C  |          |          |
| Operating Temperature   | -30° to +60° C  |          |          |
| Panel Mounting          | Recommended hole size is 22.5 mm.   |          |          |
| Knurled Nut             | The max recommended torque is 10 in-lbs.                                    |          |          |
| Cable                   | Gray, UL Style 21894, 300V, 105°C, 24AWG, Pb-Free Tinned Leads              |          |          |
| Weight (Typical)        | 112 grams   |          |          |
| NEMA 3R, 4X, & 12       | Approved with use of included gasket.                                       |          |          |
| Options                 | Please contact factory.   |          |          |

### Dimensions:

Inches (mm)

**cUL Recognized**

**ROHS Compliant**



### Connections:

- SOUND** BLACK wire to Ground and ORANGE wire to Positive
- BOTTOM** BROWN wire to Ground and GREEN wire to Positive
- MIDDLE** BROWN wire to Ground and YELLOW wire to Positive
- TOP** BROWN wire to Ground and RED wire to Positive