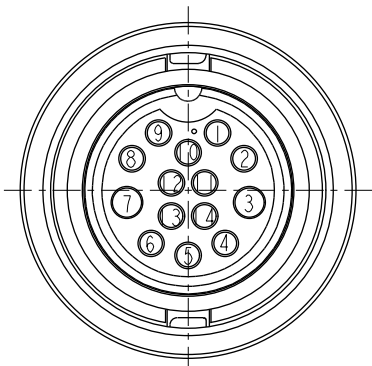
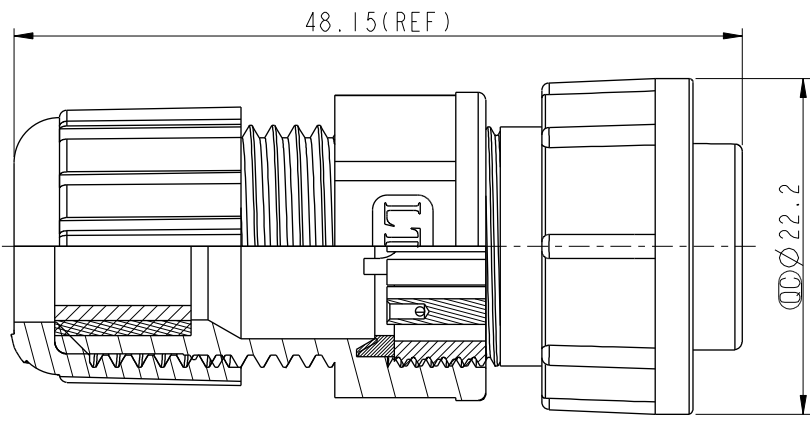
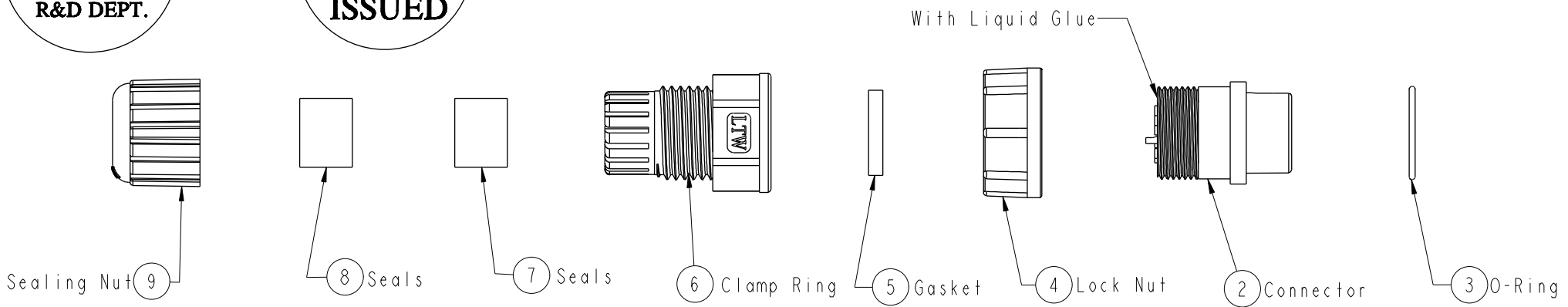


THIS DOCUMENT IS SUBJECT TO CHANGE WITHOUT NOTICE. IT IS CONFIDENTIAL AND A PROPERTY OF AMPHENOL LTW. DISCLOSURE TO THIRD PARTY HAS TO BE AUTHORIZED BY AMPHENOL LTW.

REV.	ECN NO.	DATE	SIGN	DESCRIPTION

ALTW
CONFIDENTIAL
2012-04-17
R&D DEPT.

ALTW
DCC. DEPT.
CONFIDENTIAL
2012-06-01
ISSUED



Pin Assignments
Front View

- Note:
- * \varnothing Important Dimension To Check.
 - * Waterproof Rate: IP67
 - * Housing: Nylon+GF
 - * Pin: Copper Alloy, Gold Plated
 - * Liquid Glue: Clear
 - * Ring: Black, EPDM
 - * Nut: Black, Nylon+GF
 - * Gasket: Black, Silicone
 - * Clamping Ring: Black, Nylon
 - * Seals: Black, EPDM
 - * Sealing Nut: Black, Nylon
 - * Seals B1 for Cable OD: $\varnothing 7.6\text{mm} \sim \varnothing 9.6\text{mm}$
 - * Seals B2 for Cable OD: $\varnothing 4.0\text{mm} \sim \varnothing 7.6\text{mm}$
 - * One Set Unassembled in One PE Bag.

UNIT: mm			TITLE Middle Assy Lock 14Pin F Conn M Pin
TOLERANCE .X ± 0.25 .XX ± 0.1 .XXX ± 0.05 ANGLES $\pm 1^\circ$	SCALE 1:1	SIZE A4	SHEET 1 OF 1
REV. A	WC-REV. A.2	\varnothing : Inspection item	

Amphenol LTW
安費諾亮泰企業股份有限公司

ITEM NO. CDU-14BFMA-LL7001	DRAWN BY SamChang	DATE 2012-04-17
DWG NO. CDU-14BFMA-LL7001	CHECKED BY Jeffrey	DATE 2012-06-01
CUSTOMER ALTW	APPROVED BY Lion	DATE 2012-06-01