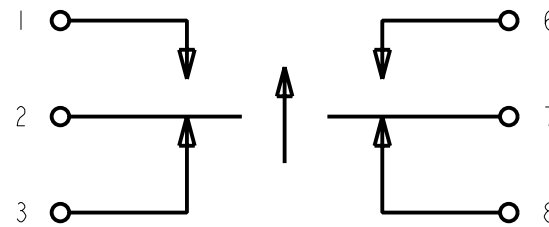


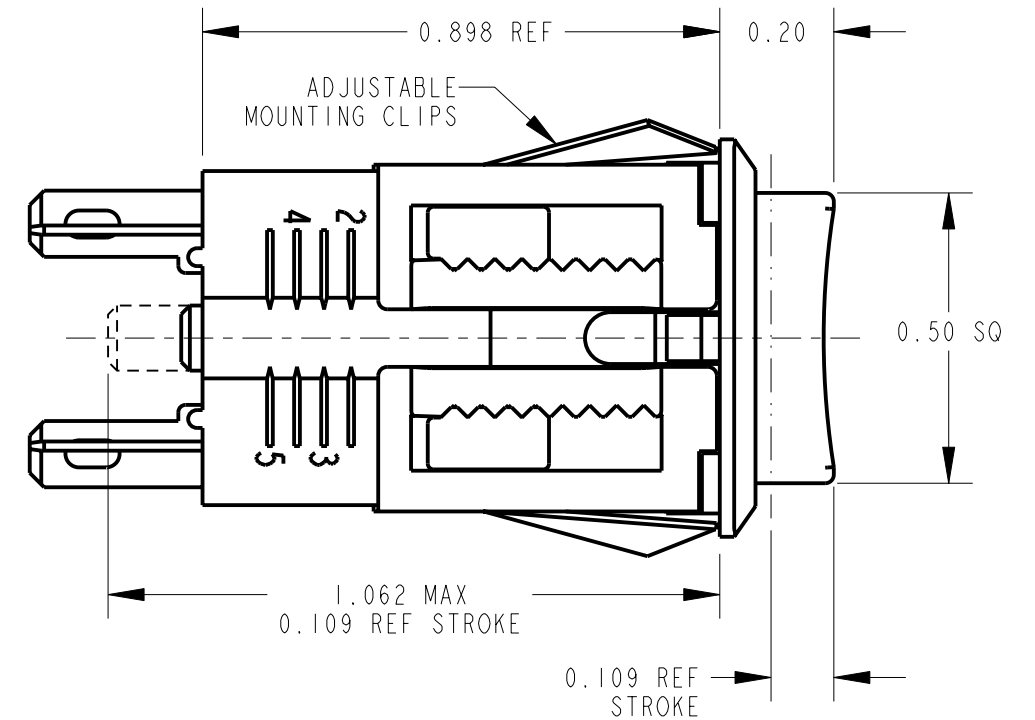
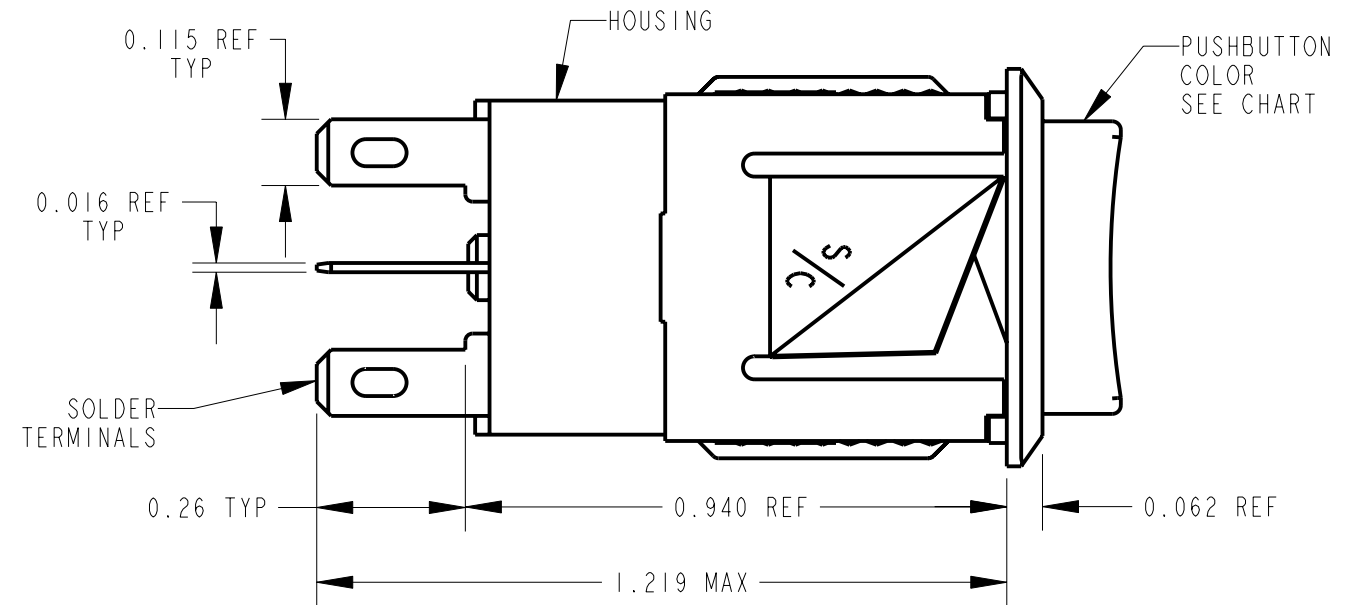
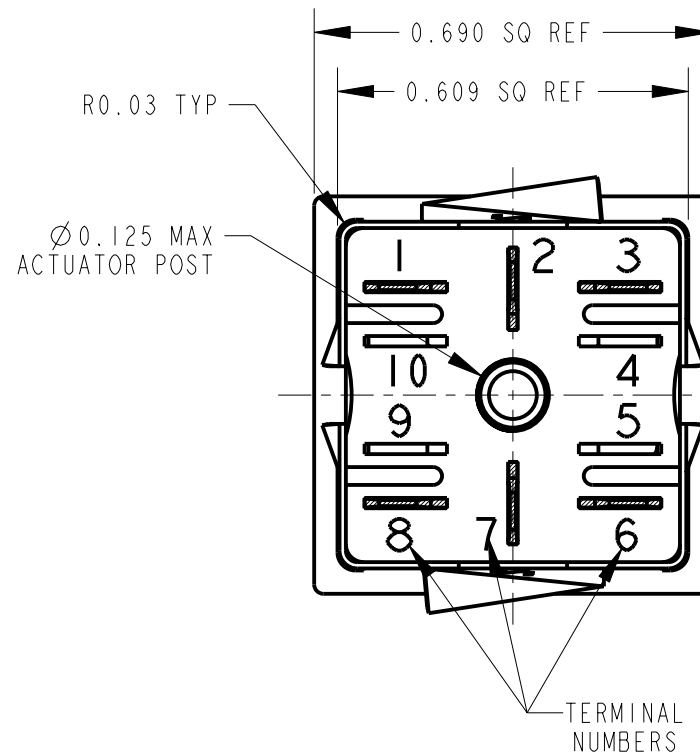
**NOTES:**

- SOLDER TERMINAL ARRANGEMENT: 1,2,3,6,7,8.
- CONTACT RATING 0.25 AMP, 30 WATTS MAX, AC, NON - INDUCTIVE LOAD.
- DIELECTRIC STRENGTH - 500 VOLTS, RMS. MIN.
- SWITCH MOUNTS IN PANELS 0.047 TO 0.281 THICK.  
 POSITION 1: 0.047 - 0.094  
 POSITION 2: 0.094 - 0.141  
 POSITION 3: 0.141 - 0.188  
 POSITION 4: 0.188 - 0.234  
 POSITION 5: 0.234 - 0.281
- MATERIALS:  
 HOUSING: THERMOPLASTIC, CHARCOAL GRAY  
 PUSHBUTTON: THERMOPLASTIC, COLOR (SEE CHART)  
 MOUNTING CLIP: COPPER ALLOY  
 CONTACT SPRING, INTEGRAL: COPPER ALLOY, SILVER PLATED  
 TERMINALS: COPPER ALLOY, SILVER PLATED  
 ACTUATOR: THERMOPLASTIC, BEIGE  
 SPRING: MUSIC WIRE, TINNED  
 RETAINER PLATE: PAPER EPOXY LAMINATE
- THESE PRODUCTS ARE RoHS COMPLIANT.

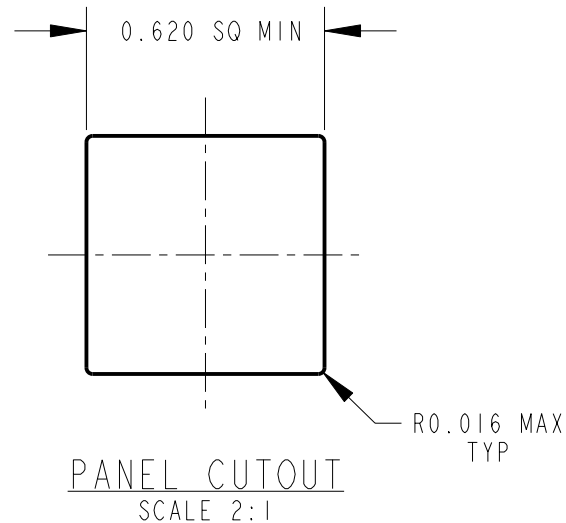
PART NUMBER	PUSHBUTTON COLOR
BXR016	RED
BXR026	BLACK
BXR036	GREEN
BXR056	WHITE



**SCHEMATIC**  
2-C



**CUSTOMER DRAWING**



					★ STAR SYMBOL DENOTES CRITICAL DIMENSION		THIS DRAWING DESCRIBES A DESIGN CONSIDERED PROPRIETARY IN NATURE, DEVELOPED AND MANUFACTURED BY SWITCHCRAFT INC. AND IS RELEASED ON A CONFIDENTIAL BASIS FOR IDENTIFICATION PURPOSES ONLY.					
					UNLESS OTHERWISE SPECIFIED		SIZE	WIDTH	MULT	LBS/M	TEMPER	
					1. ALL DIMENSIONS IN INCHES - TWO PLACE DECIMALS ±0.01 - THREE PLACE DECIMALS ±0.005 - ANGLES ±1° - ALL DIA. CONCENTRIC WITHIN 0.005 T.I.R.		FINISH		MATERIAL			
					2. FEATURES ON THE SAME CENTERLINE MUST BE ALIGNED WITHIN ±0.002		SPEC No.		SPEC No.			
					3. REMOVE ALL BURRS		FIRST USED ON		SCALE		<b>Switchcraft</b> <sup>®</sup>	
					DO NOT SCALE DRAWING		3:1		SHEET   OF			
REV	ECO NUMBER	DATE	BY	APVD	NAME		DATE DRAWN	BY	CHKD	APVD	PART No.	REV
A	27357	9-12-14	TO	TJK	BOX SWITCH, MOMENTARY SOLDER TERMINALS, RoHS		8-25-14	TO	TO	TJK	BXR0_6 SERIES	A
REVISIONS							8-25-14		8-25-14			