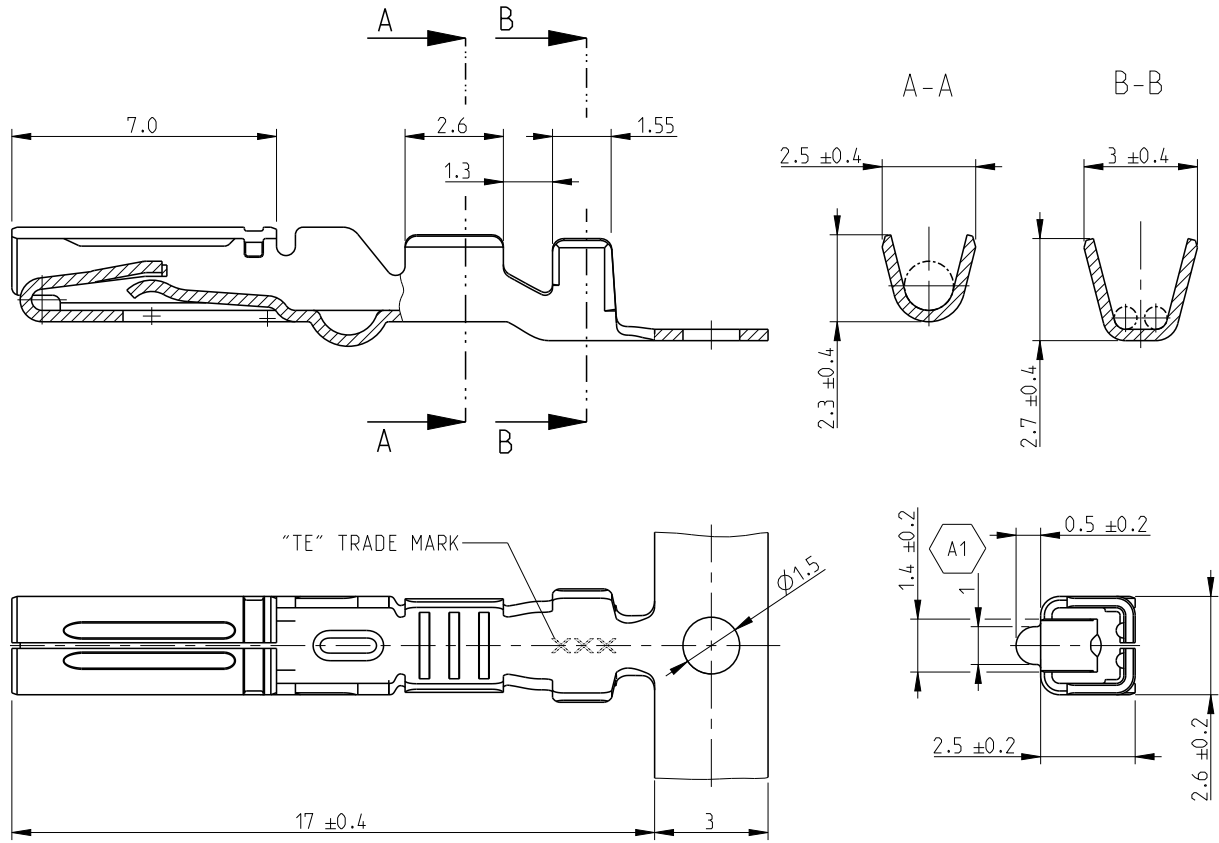


REVISIONS					
P	LTR	DESCRIPTION	DATE	DWN	APVD
	A1	Redrawn to Creo	10MAR2017	JJH	JP



1. DELIVERY STATE: ITEM IS SUPPLIED REELED ON CARTON REEL WITH STRIP PITCH = 11.9±0.2mm
 STATO DI FORNITURA: AVVOLTI SU BOBINA CON PASSO TRA TERMINALI DI = 11.9±0.2mm

CUSTOMER DRAWING FOR INFORMATION ONLY
 DISEGNO PER CLIENTE SOLO PER RIFERIMENTO

20

RELEASED FOR PUBLICATION

THIS DRAWING IS UNPUBLISHED.

ALL RIGHTS RESERVED.

BY -

© COPYRIGHT 20



INS. DIA. RANGE (DIAM. ISOLANTE)	WIRE RANGE (RANGO FILO)
Ø1.45 - 1.7mm	0.35 - 0.5mm ²

PRE-TIN (PRE-STAGNATO)	BRASS (OTTONE)	282419-1
FINISH/COLOUR (FINITURE/COLORE)	MATERIAL (MATERIALE)	PART NUMBER

DIMENSIONS: mm	DWN M. CASAGRANDE 09NOV1992	MATERIAL	FINISH									
TOLERANCES UNLESS OTHERWISE SPECIFIED:	CHK G. VIGNOLI 21APR1993	TE Connectivity										
<table border="1"> <tr> <td>PLC</td> <td>±</td> </tr> <tr> <td>1 PLC</td> <td>±</td> </tr> <tr> <td>2 PLC</td> <td>±</td> </tr> <tr> <td>3 PLC</td> <td>±</td> </tr> <tr> <td>4 PLC</td> <td>±</td> </tr> </table> ±0.3	PLC			±	1 PLC	±	2 PLC	±	3 PLC	±	4 PLC	±
PLC	±											
1 PLC	±											
2 PLC	±											
3 PLC	±											
4 PLC	±											
ANGLES ±2°	APVD -	SIZE A 4	CAGE CODE -									
	APPLICATION SPEC 114-20061	DRAWING NO C=282419	RESTRICTED TO -									
	WEIGHT -	CUSTOMER DRAWING										
		SCALE 5:1	SHEET 1 OF 1									
			REV A1									