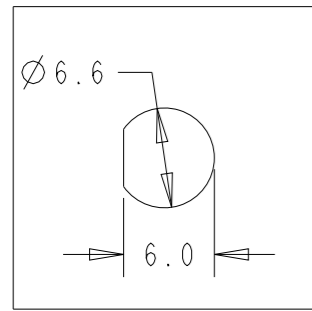
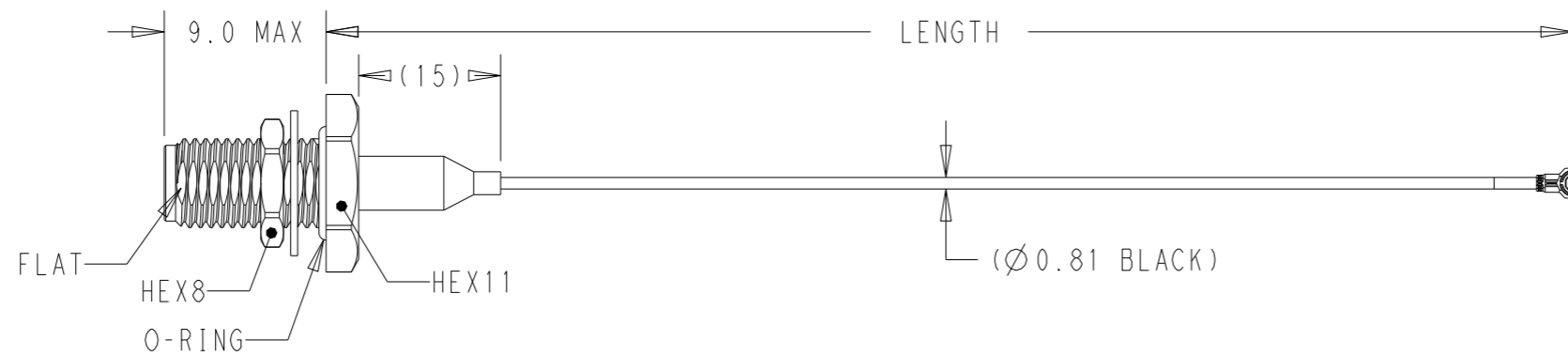
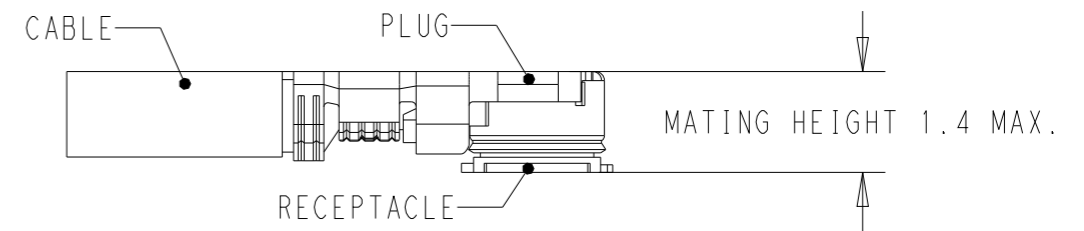


P	LTR	DESCRIPTION	DATE	DWN	APVD
A		GTP ECN-22-148830	22APR2022	JZ	WKH
A1		ECR-22-146298	15JUL2022	JZ	WKH



RECOMMENDED MOUNTING HOLE



- NOTES:
- PARTS AND PROCESSES RoHS COMPLIANT PER TE CONNECTIVITY STANDARD TEC-138-702.
  - CABLE ASSEMBLY TO BE 100% OPEN & SHORT TESTED  
 FREQUENCY RANGE: DC~9 GHz  
 CHARACTERISTIC IMPEDANCE: 50 OHMS Normal
  - UMCC GEN4 CAN MATE WITH I-PEX MHF4L AND HIROSE W.FL SERIES

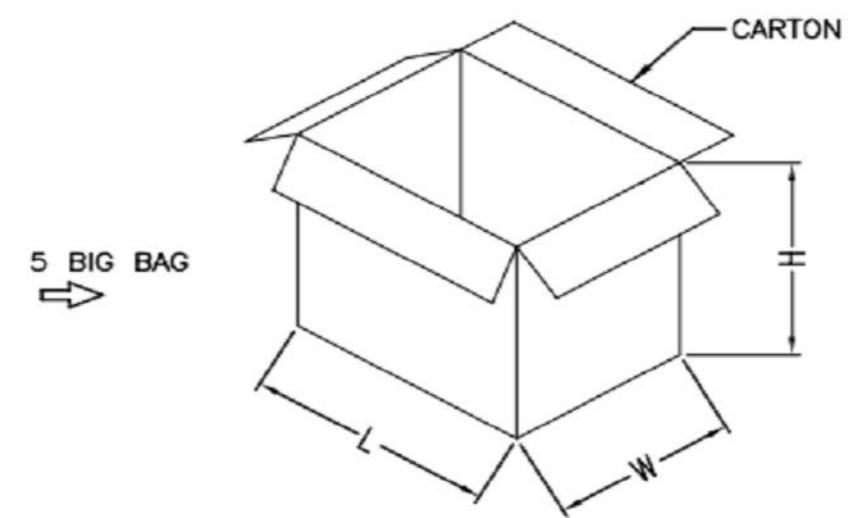
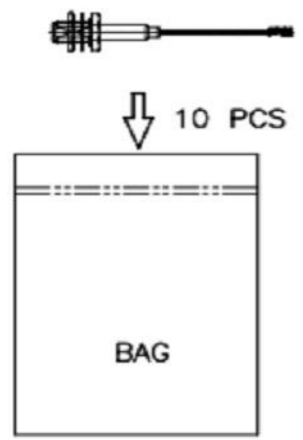
1-2410331-0	500±5
2410331-9	450±5
2410331-8	400±5
2410331-7	350±5
2410331-6	300±5
2410331-5	250±5
2410331-4	200±5
2410331-3	150±5
2410331-2	100±3
2410331-1	50±3
P/N	LENGTH

4	HEAT SHRINK TUBE, BLACK	1 PC
3	COAX CABLE, 0.81MM OD, BLACK	LENGTH
2	UMCC GEN4 PLUG FOR 0.81 CABLE	1 PC
1	SMA BH JACK WITH O-RING FOR 0.81 CABLE	1 PC
ITEM	DESCRIPTION	QTY

THIS DRAWING IS A CONTROLLED DOCUMENT.		DWN JZ 17MAR2022		
DIMENSIONS: mm		CHK WKH 17MAR2022		
TOLERANCES UNLESS OTHERWISE SPECIFIED:		APVD -	NAME CA, UMCC4 TO SMA JACK WATERPROOF WITH 0.81MM CABLE	
0 PLC ±-		PRODUCT SPEC -	SIZE A3	
1 PLC ±-		APPLICATION SPEC -	CAGE CODE 00779	DRAWING NO C-2410331
2 PLC ±-		WEIGHT -	RESTRICTED TO -	
3 PLC ±-		CUSTOMER DRAWING	SCALE 1:1	SHEET 1 OF 2
4 PLC ±-			REV A1	
ANGLES ±-				
FINISH -				

REVISIONS

P	LTR	DESCRIPTION	DATE	DWN	APVD
-	-	SEE SHEET 1	-	-	-



NOTES :

1. DIMENSION:

CARTON: L=320, W=300, H=180

2. QUANTITY:

2.1 PRIMARY PACKING: 10 PCS/BAG(10PCS)

2.2 SECONDARY PACKING: 10 BAG/BIG BAG(100PCS)

2.3 OUTER PACKING: 5 BIG BAG/CARTON(500PCS)

THIS DRAWING IS A CONTROLLED DOCUMENT.		DWN	JZ	17MAR2022			
		CHK	WKH	17MAR2022			
DIMENSIONS: mm		TOLERANCES UNLESS OTHERWISE SPECIFIED:			NAME CA, UMCC4 TO SMA JACK WATERPROOF WITH 0.81MM CABLE		
		0 PLC ±-			APVD -		
		1 PLC ±-			PRODUCT SPEC -		
MATERIAL -		2 PLC ±-			APPLICATION SPEC -		
		3 PLC ±-			WEIGHT -		
FINISH -		4 PLC ±-			SIZE A3		
		ANGLES ±-			CAGE CODE 00779		
		FINISH -			DRAWING NO C=2410331		
		FINISH -			RESTRICTED TO -		
		CUSTOMER DRAWING			SCALE 1:1 SHEET 2 OF 2 REV A1		