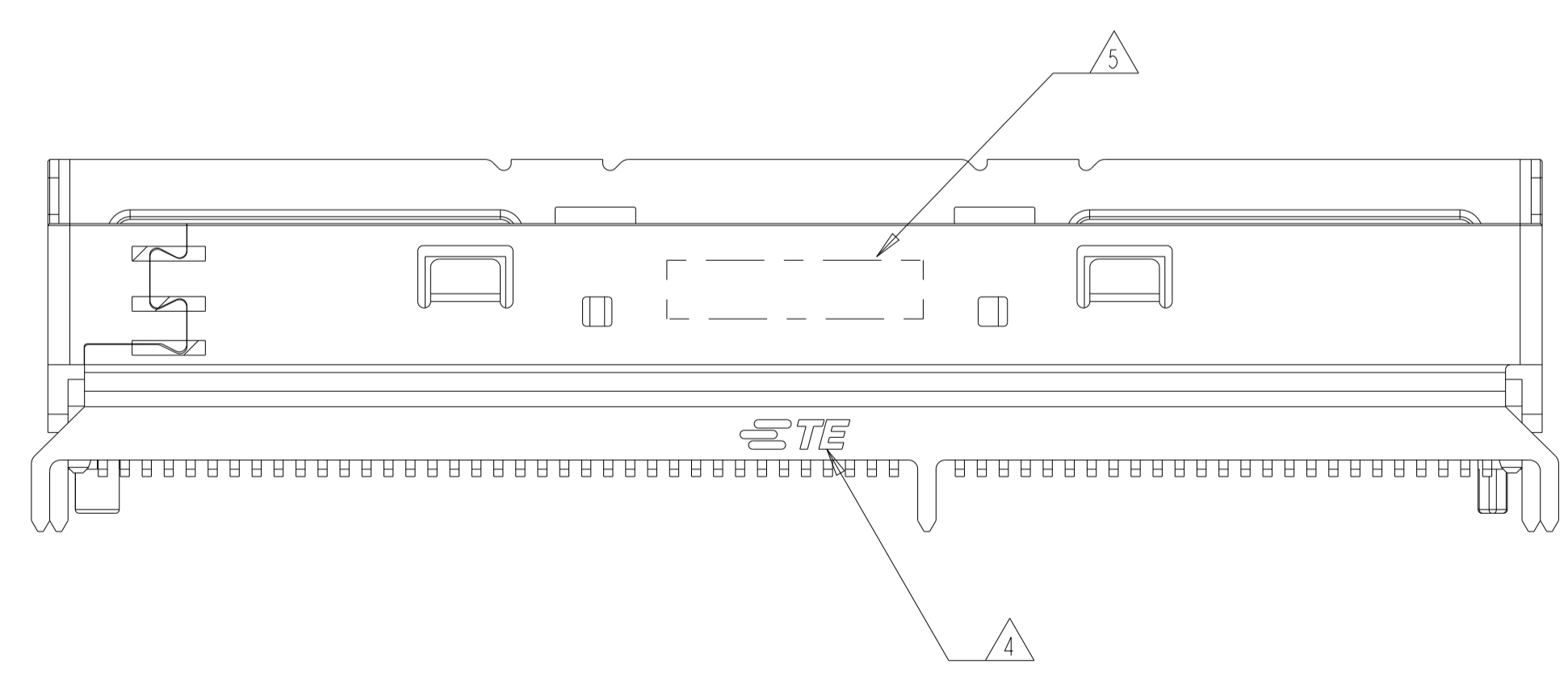
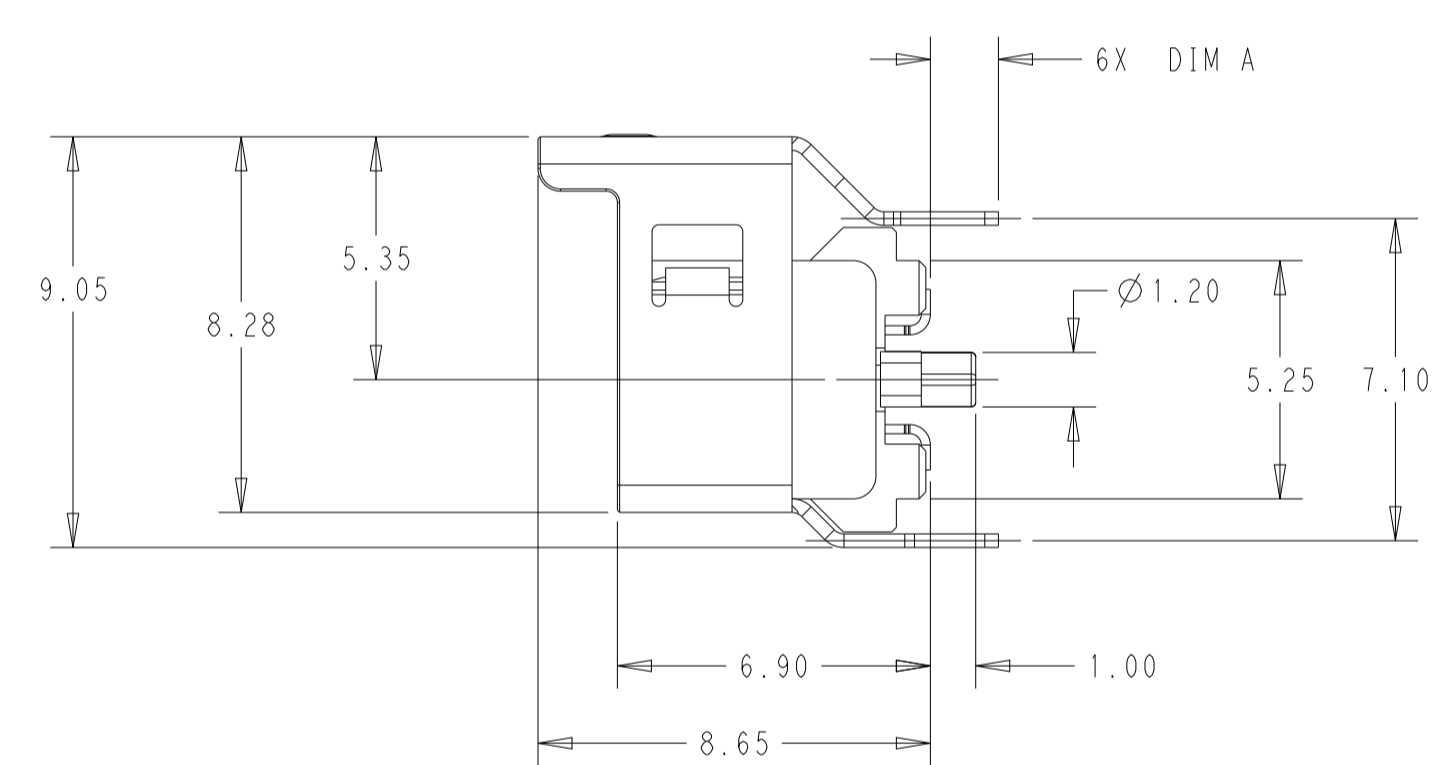
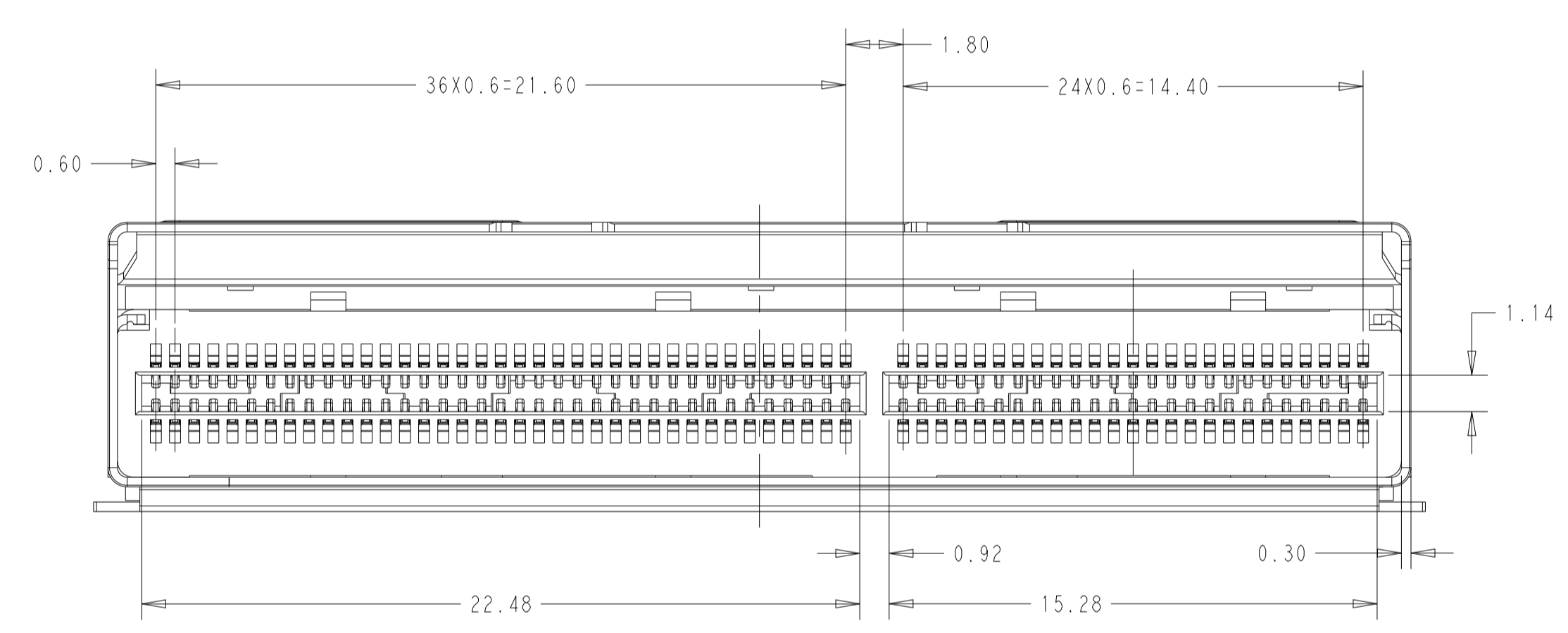
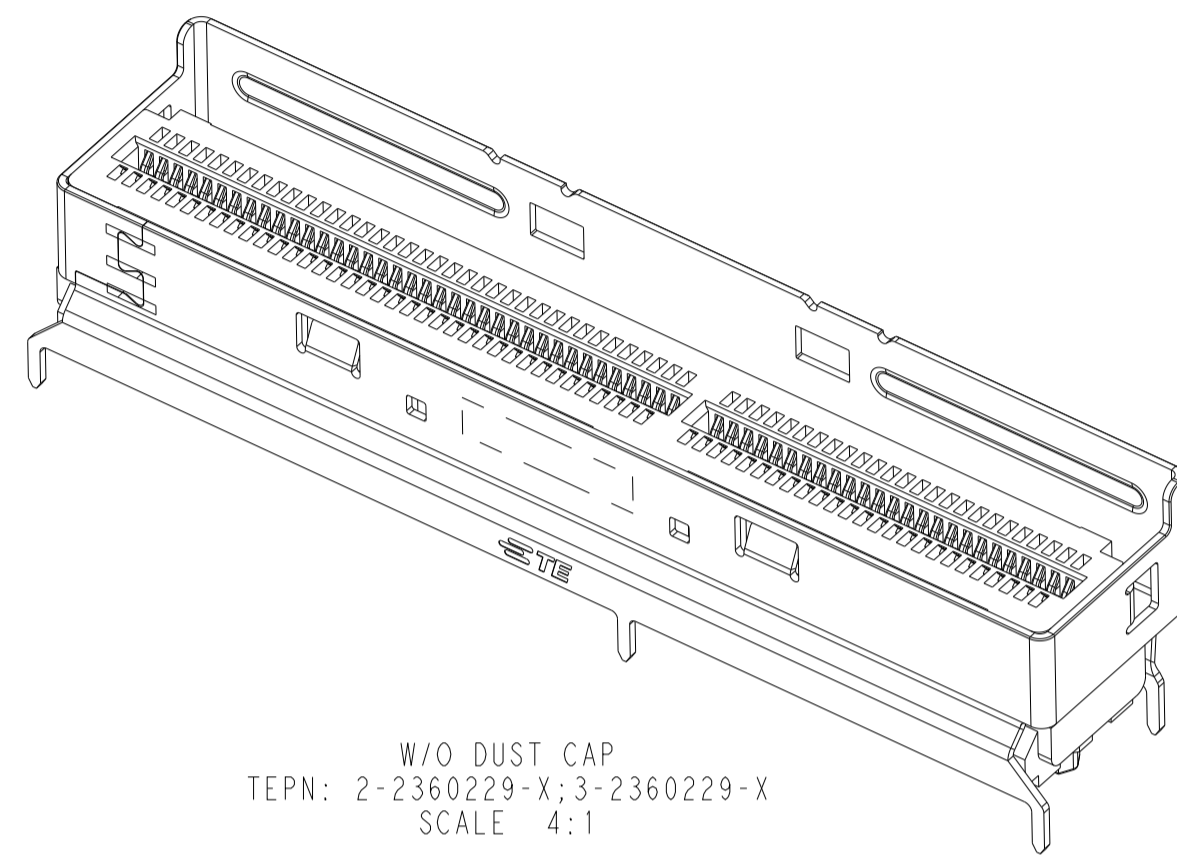
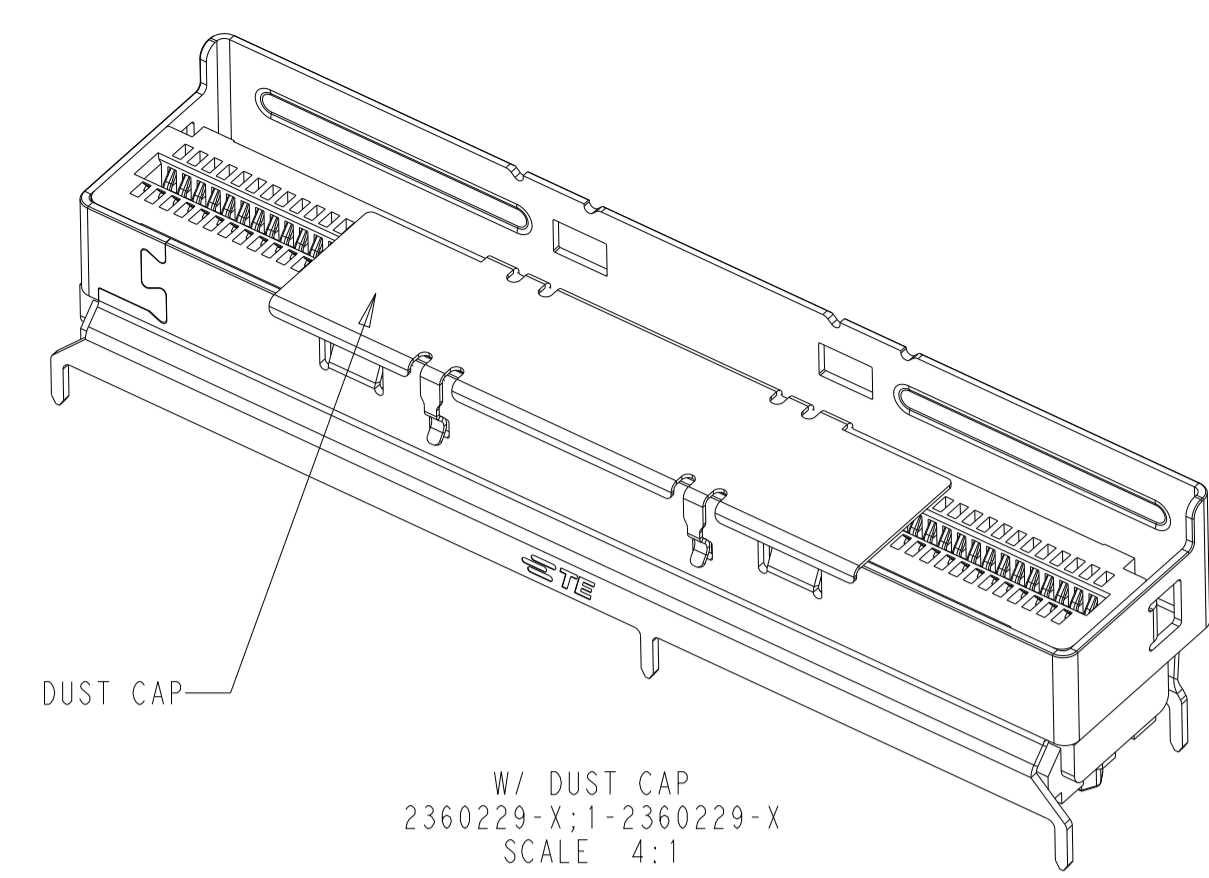
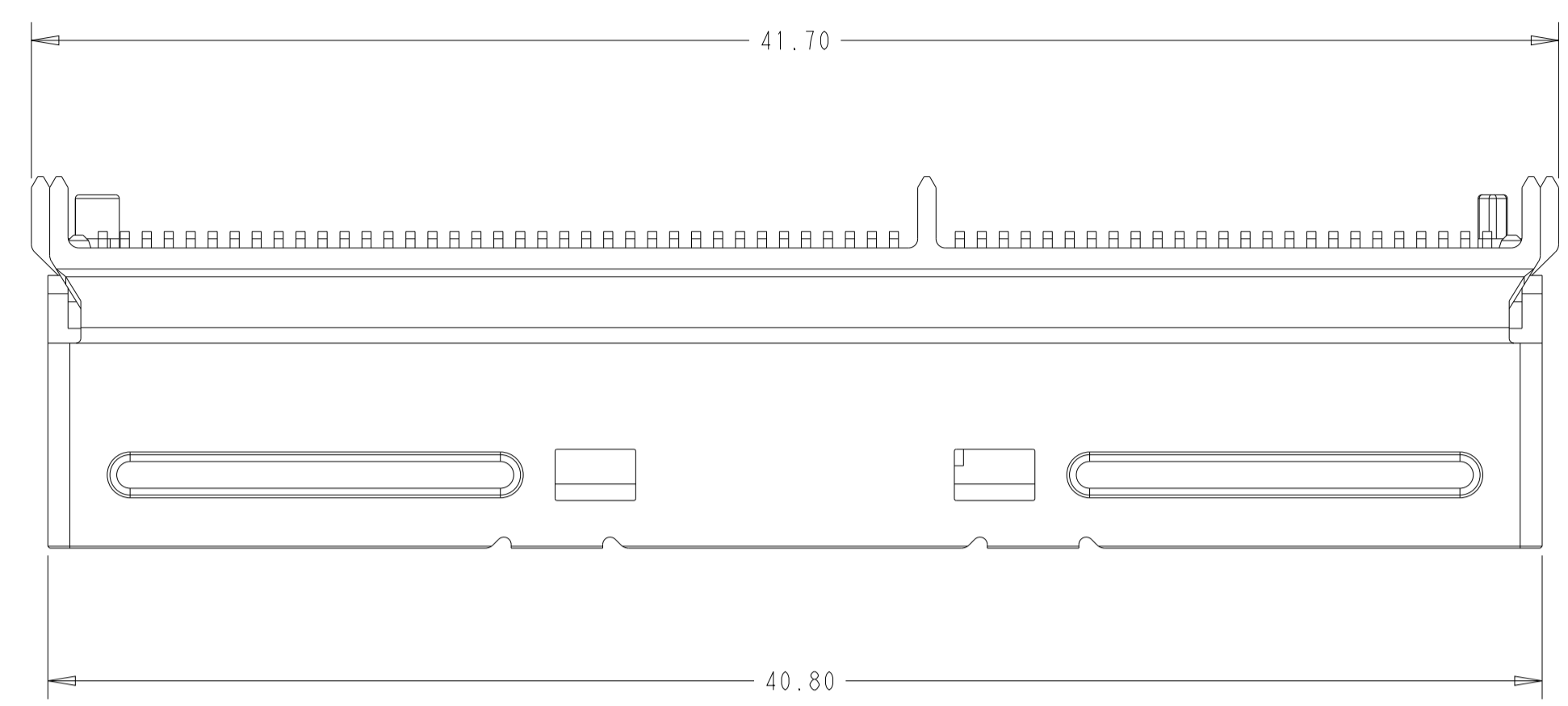


REVISIONS					
#	LTN	DESCRIPTION	DATE	OWN	APVD
3		UPDATE THE PACKAGE AND CAP	29NOV2019	LL	DZ
4		ADD NEW PNS 2-X, 3-X	09DEC2019	LL	DZ
5		ADD DIMENSIONS	02MAR2022	LL	DZ
6		ADD BLOCK WALLS	17JUN2022	LL	DZ

- NOTES:
- MATERIALS:
 PLASTICS: HIGH TEMPERATURE THERMOPLASTIC UL94V-0, COLOR: BLACK.
 SHELL: STAINLESS
 CONTACT: COPPER ALLOY
 DUST CAP: STAINLESS.
 - FINISH:
 TERMINAL: CONTACT AREA: SELECTED GOLD PLATING, SEE TABLE.
 SOLDER AREA: MATTE TIN PLATING 100u".
 UNDER PLATING: NICKEL PLATING 50u" MIN OVER ALL.
 SHELL: UNDER PLATING: ELECTROLESS NICKEL PLATING 50u" MIN OVERALL.
 - HALOGEN REQUIREMENT MEET CODE 2: LOW BR/CL AS DEFINED IN TEC-138-702.
 - TE CONNECTIVITY LOGO MARKED IN APPROXIMATE AREA SHOWN.
 - PART NUMBER AND DATE CODE MARKED IN APPROXIMATE AREA SHOWN.
 - TAPE AND REEL PACKAGED FOR PICK AND PLACE SMT PROCESSING.
 SEE FIGURE 1. POCKET TAPE WIDTH = 72MM.



PROPOSED DESIGN
 PRODUCT NUMBER WILL BE
 ASSIGNED WHEN RELEASED
 DESIGN IS SUBJECT TO
 CHANGE WITHOUT NOTICE

QUANTITY / CARTON	QUANTITY / REEL	CAP OPTION	OPTIONS	CONTACT FINISH	DIM A	PART NUMBER
450PCS	150PCS	W/O DUST CAP	STANDARD CONSTRUCTION	30u" GOLD	4.20MM	3-2360229-8
					3.00MM	3-2360229-7
					2.20MM	3-2360229-6
			15u" GOLD	4.20MM	3-2360229-5	
					3.00MM	3-2360229-4
					2.20MM	3-2360229-3
		W/ DUST CAP	NO RESONANCE DAMPING	30u" GOLD	4.20MM	2-2360229-8
					2.20MM	2-2360229-7
					1.50MM	2-2360229-6
			15u" GOLD	4.20MM	2-2360229-5	
					3.00MM	2-2360229-4
					2.20MM	2-2360229-3
W/ DUST CAP	STANDARD CONSTRUCTION	30u" GOLD	4.20MM	1-2360229-8		
				3.00MM	1-2360229-7	
				2.20MM	1-2360229-6	
		15u" GOLD	4.20MM	1-2360229-5		
				3.00MM	1-2360229-4	
				2.20MM	1-2360229-3	
	NO RESONANCE DAMPING	30u" GOLD	4.20MM	2360229-1		
				3.00MM	2360229-8	
				2.20MM	2360229-7	
		15u" GOLD	4.20MM	2360229-6		
				3.00MM	2360229-5	
				2.20MM	2360229-4	

THIS DRAWING IS A CONTROLLED DOCUMENT.

OWN: LEO LI 17SEP2019
 CHK: DAVID ZHANG 17SEP2019
 APVD: DAVID ZHANG 17SEP2019

DIMENSIONS: mm
 TOLERANCES UNLESS OTHERWISE SPECIFIED:
 0 PLC ±0.30
 1 PLC ±0.20
 2 PLC ±0.10
 3 PLC ±0.10
 4 PLC ±0.10
 ANGLES ±°

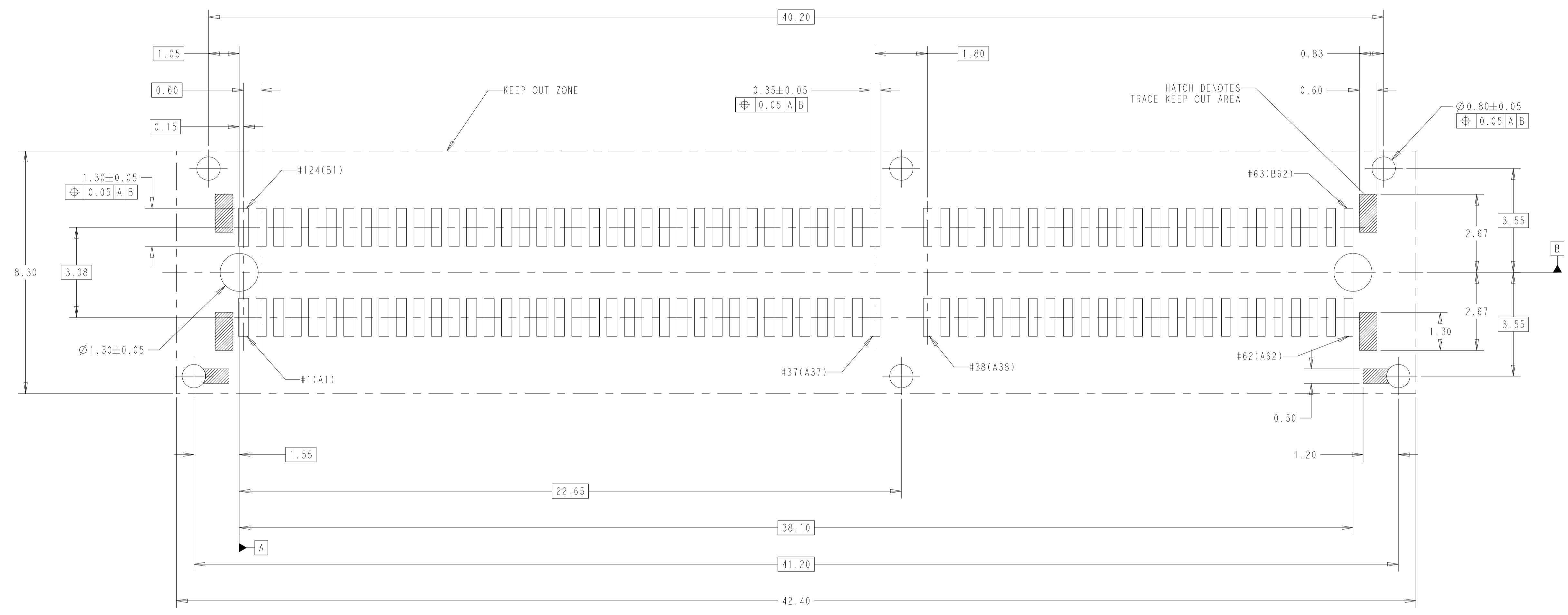
MATERIAL: SEE NOTES
 FINISH: SEE NOTES

TE Connectivity
 NAME: LOW PROFILE SLIM SAS RECEPTACLE
 PRODUCT SPEC: 108-60134
 APPLICATION SPEC: -

SIZE: A1
 CAGE CODE: 00779
 DRAWING NO: 2360229
 RESTRICTED TO: -

CUSTOMER DRAWING
 SCALE: 6:1
 SHEET: 1 OF 3
 REV: 6

REVISIONS				
P	LTN	DESCRIPTION	DATE	APPD
		SEE SHEET 1		

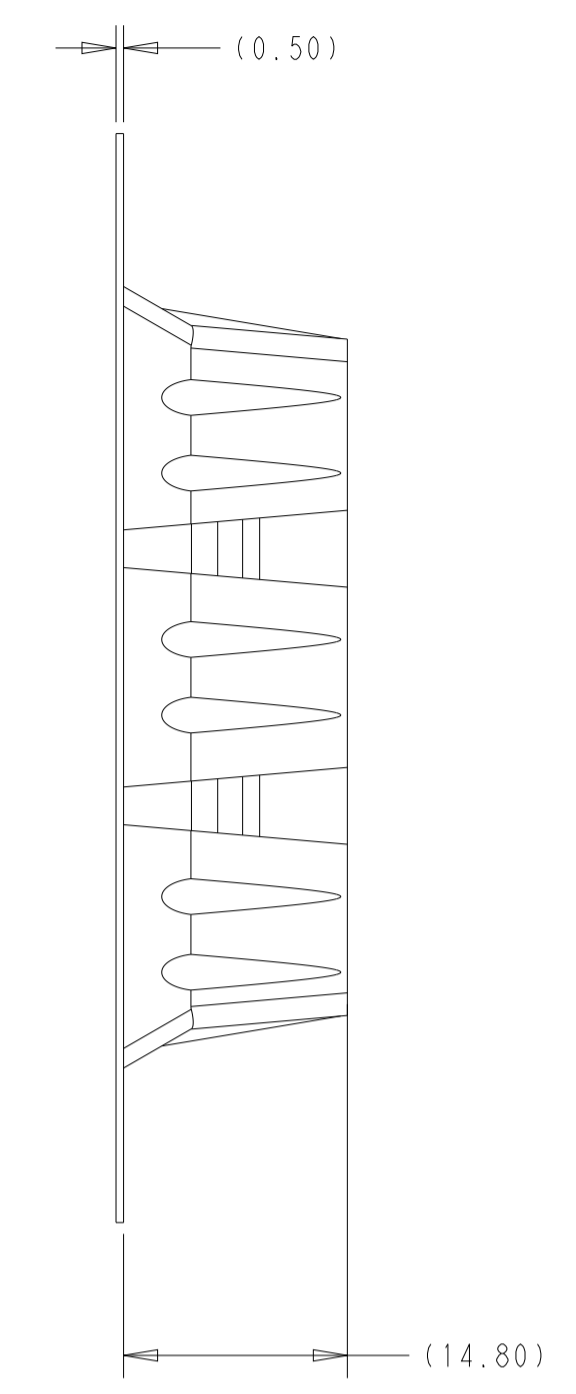
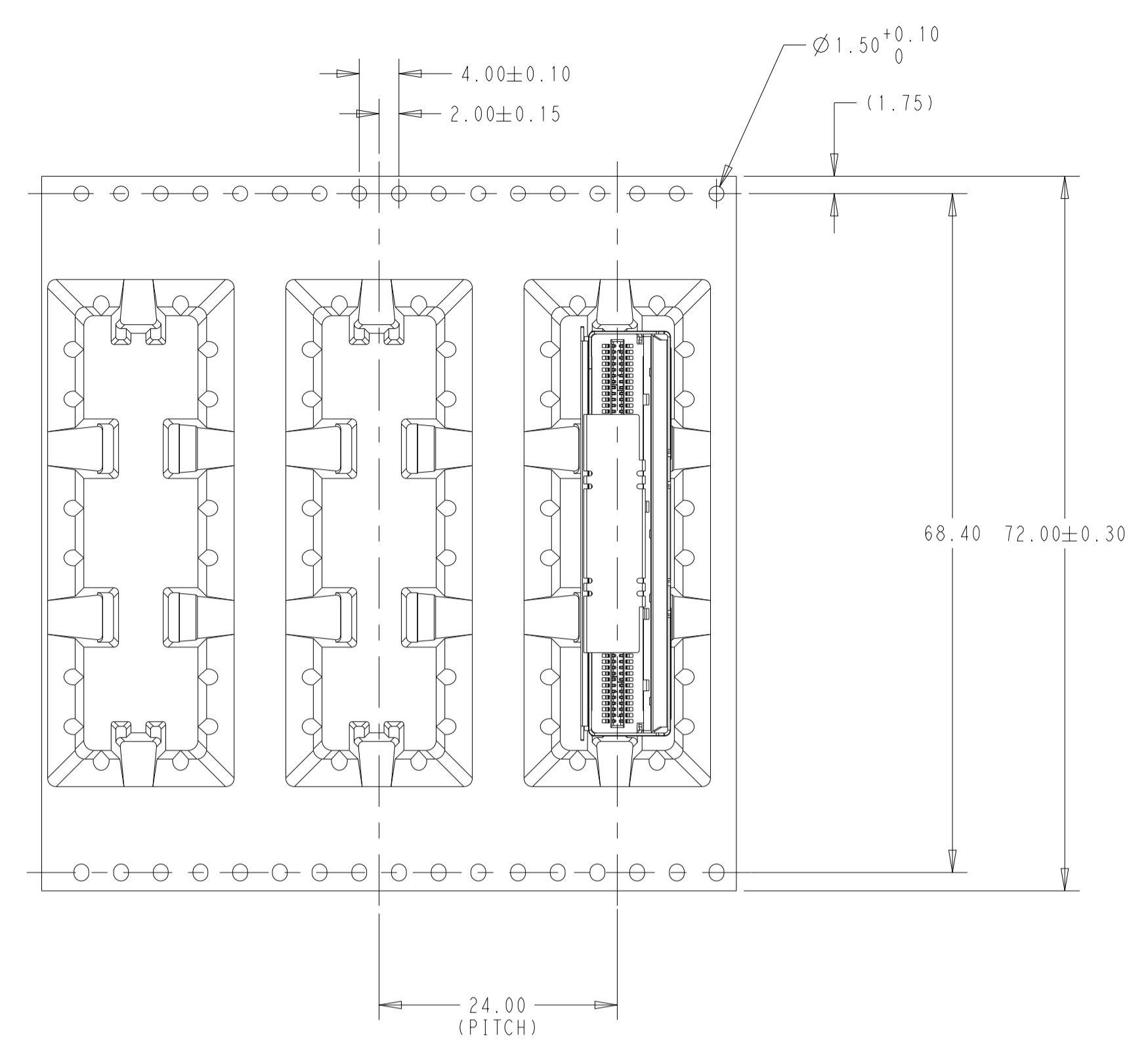


RECOMMENDED PCB LAYOUT
 GENERAL TOLERANCE: ±0.05
 SCALE 12:1

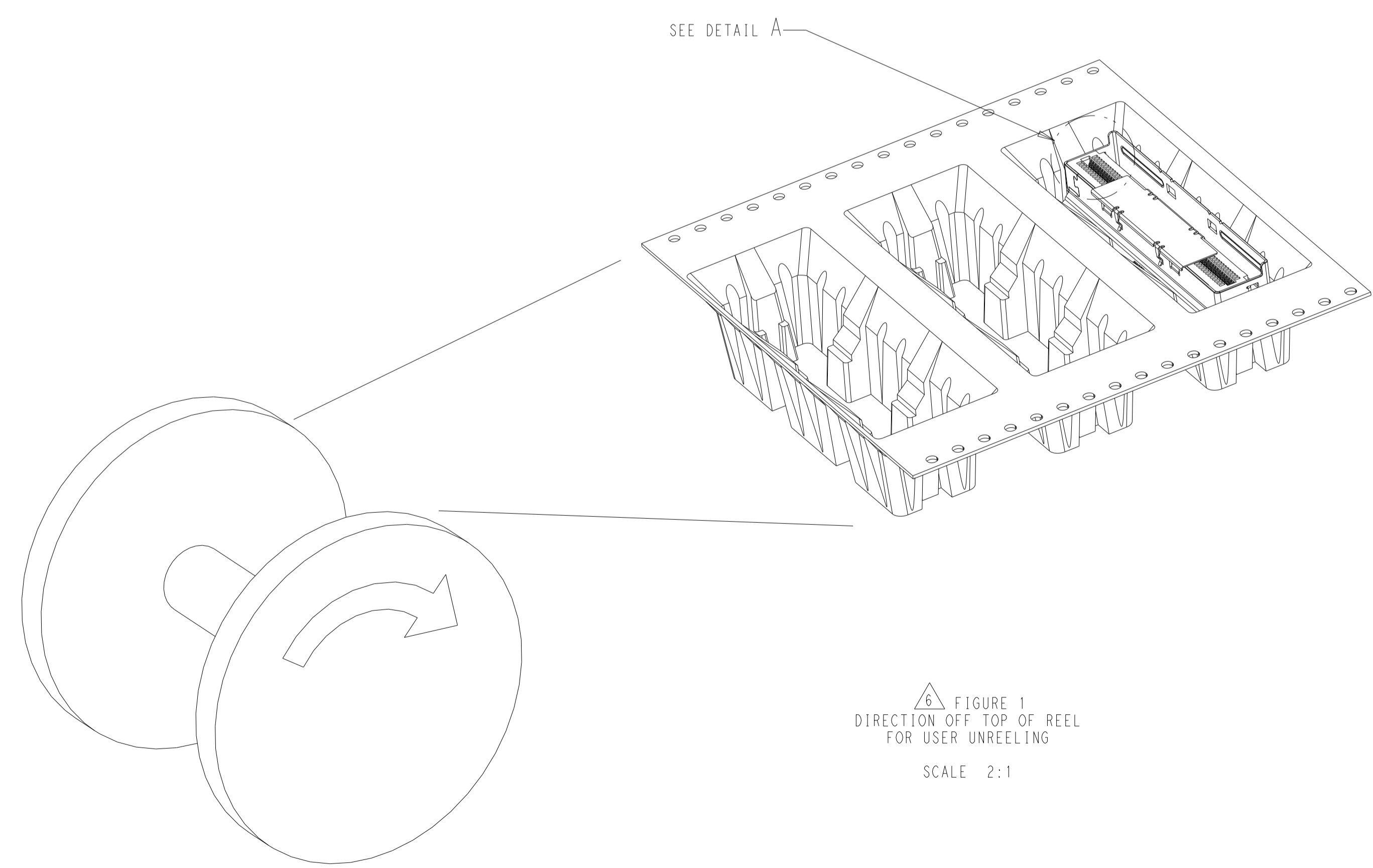
PROPOSED DESIGN
 PRODUCT NUMBER WILL BE
 ASSIGNED WHEN RELEASED
 DESIGN IS SUBJECT TO
 CHANGE WITHOUT NOTICE

THIS DRAWING IS A CONTROLLED DOCUMENT.		OWN: LEO LI 17SEP2019	TE Connectivity
DIMENSIONS: mm		CHK: DAVID ZHANG 17SEP2019	
TOLERANCES UNLESS OTHERWISE SPECIFIED: 0 PLC ±0.20 1 PLC ±0.15 2 PLC ±0.15 3 PLC ±0.15 4 PLC ±0.15 ANGLES ±0.5° FINISH ±0.05		APPD: DAVID ZHANG 17SEP2019	NAME: LOW PROFILE SLIM SAS RECEPTACLE VERTICAL X16, 124P
MATERIAL: SEE NOTES		PRODUCT SPEC: 108-60134	APPLICATION SPEC: -
WEIGHT: -		SIZE: A1	CAGE CODE: 00779
CUSTOMER DRAWING		DRAWING NO: C=2360229	RESTRICTED TO: -
SCALE: 6:1		SHEET: 2 OF 3	REV: 6

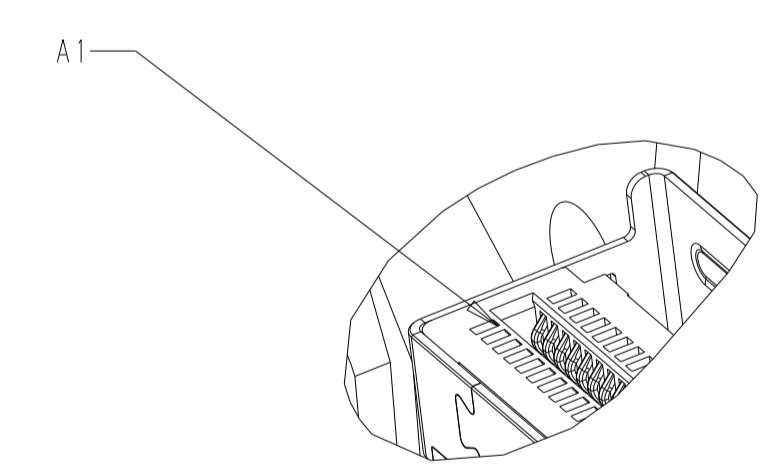
REVISIONS				
P	LTN	DESCRIPTION	DATE	APVD
-	SEE SHEET 1		-	-



PROPOSED DESIGN
 PRODUCT NUMBER WILL BE
 ASSIGNED WHEN RELEASED
 DESIGN IS SUBJECT TO
 CHANGE WITHOUT NOTICE



△ FIGURE 1
 DIRECTION OFF TOP OF REEL
 FOR USER UNREELING
 SCALE 2:1



DETAIL A
 SCALE 5:1

THIS DRAWING IS A CONTROLLED DOCUMENT.		OWN: LEO LI 17SEP2019	
DIMENSIONS: mm		CHK: DAVID ZHANG 17SEP2019	
TOLERANCES UNLESS OTHERWISE SPECIFIED:		APVD: DAVID ZHANG 17SEP2019	NAME: LOW PROFILE SLIM SAS RECEPTACLE VERTICAL X16, 124P
0 PLC ±0.20	1 PLC ±0.15	PRODUCT SPEC: 108-60134	SIZE: A
2 PLC ±0.15	3 PLC ±0.15	APPLICATION SPEC: -	CAGE CODE: 00779
4 PLC ±0.15	ANGLES ±0.15	WEIGHT: -	DRAWING NO: C=2360229
FINISH: -	SEE NOTES	CUSTOMER DRAWING	RESTRICTED TO: -
SCALE: 6:1		SHEET 3 OF 3	
REV: 6			