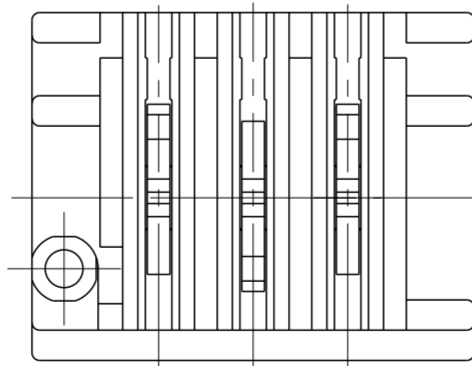
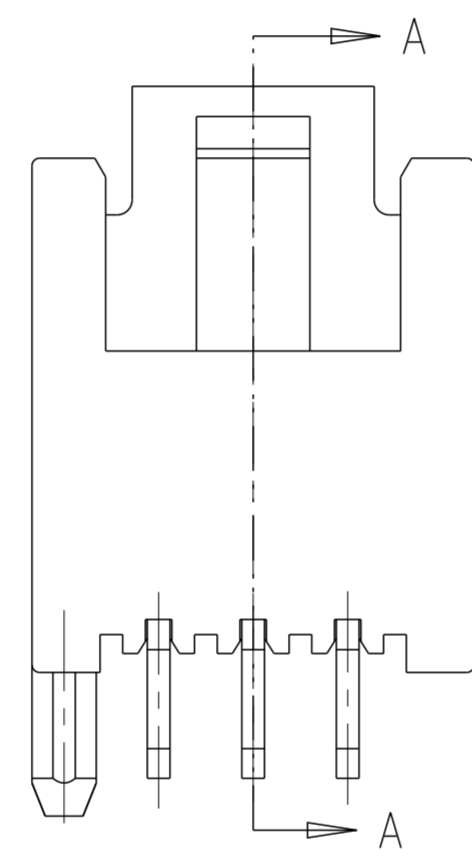
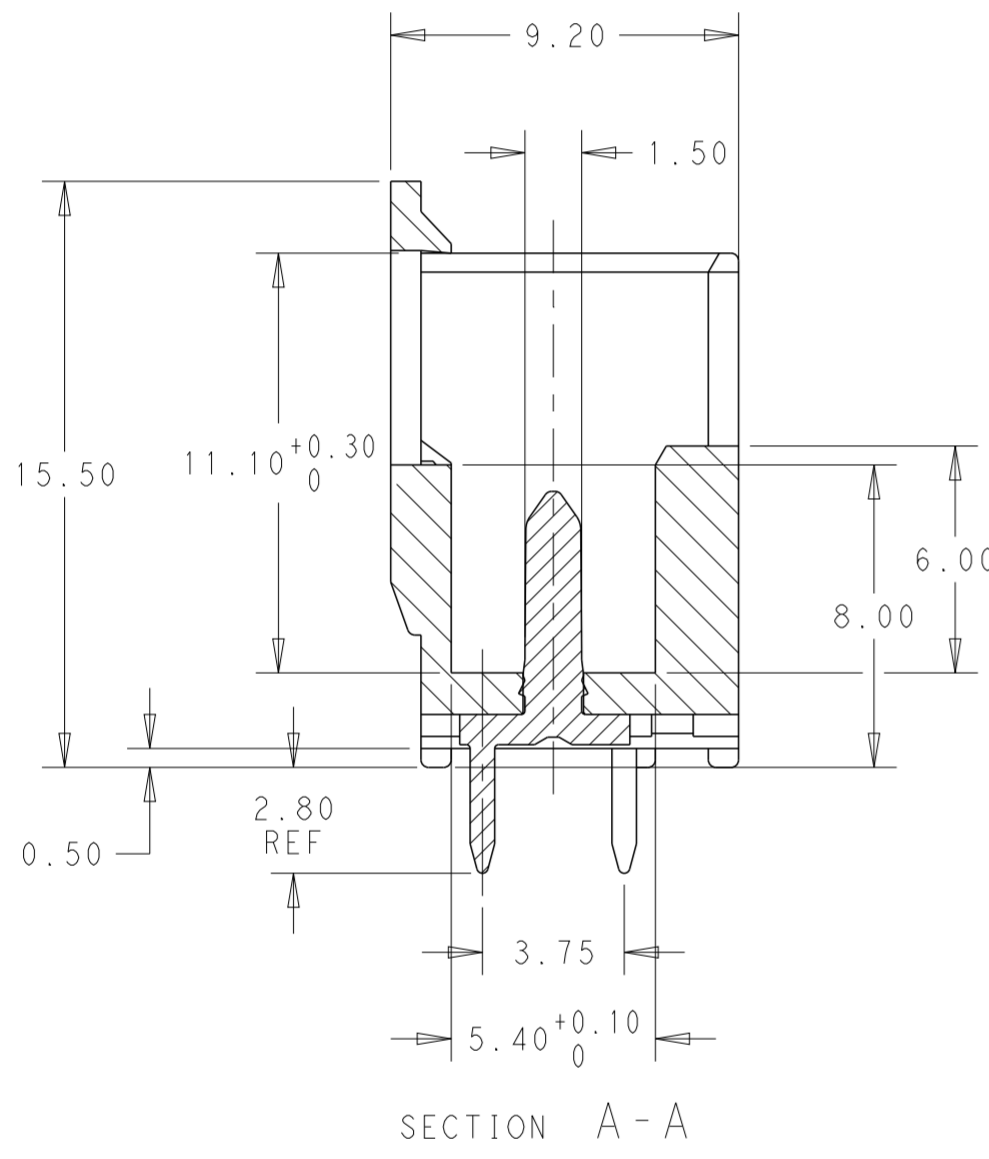
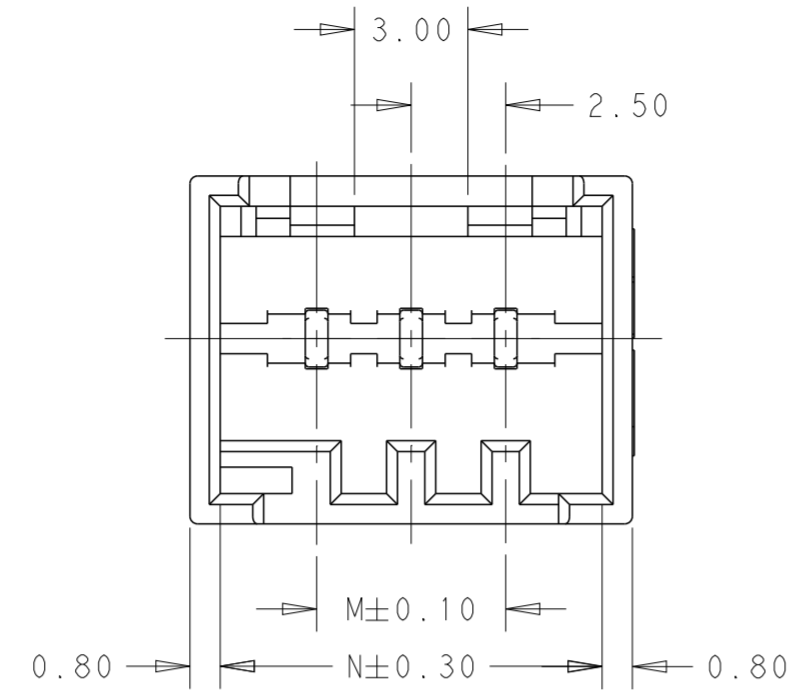
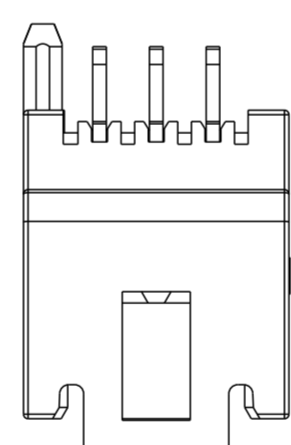
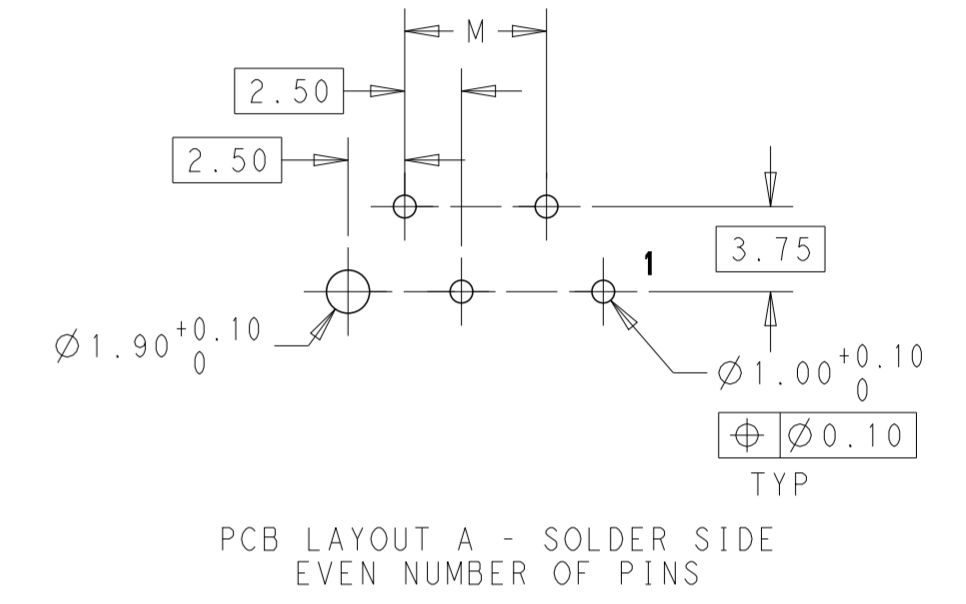
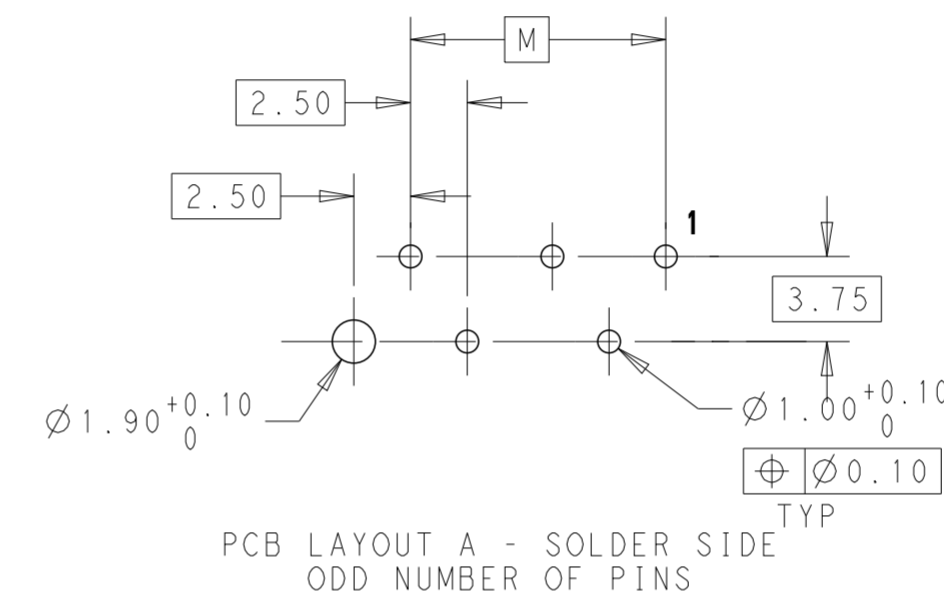


THIS DRAWING IS UNPUBLISHED. RELEASED FOR PUBLICATION 20
 © COPYRIGHT 20 BY - ALL RIGHTS RESERVED.

REVISIONS				
P	LTR	DESCRIPTION	DATE	DWN APVD
A13		ECR-21-111237	24AUG2021	WW FL
B1		ECR-21-121780	26NOV2021	TL FL
B2		ECR-22-136222	21APR2022	WW FL

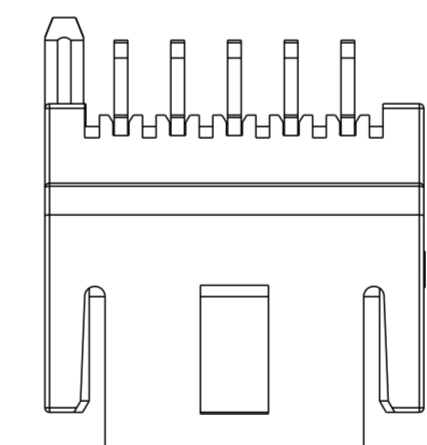


- SEE SHEET 2 FOR AVAILABLE CONFIGURATIONS
- MATERIAL: HOUSING, NYLON, UL94 V0, 750°C GWT NO FLAME CONTACT, COPPER ALLOY, 0.60MM THICK
- FINISH: TIN PLATING OVER NICKEL UNDERPLATING
- PCB LAYOUT AS SHOWN
- PRELIMINARY, NOT FOR PRODUCTION



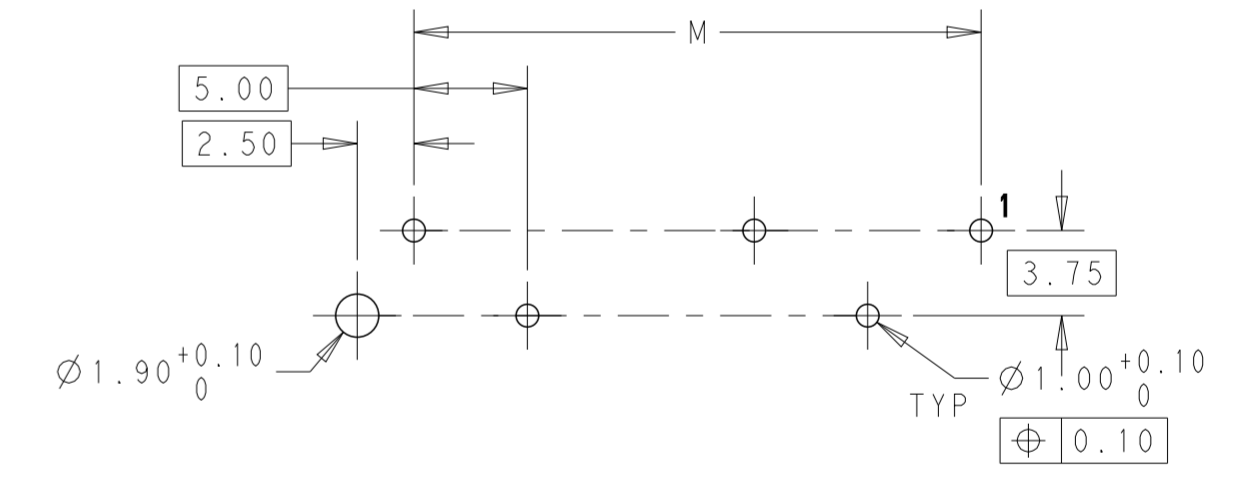
SCALE 3:1

LATCH DESIGN FOR PARTS WITH 3 AND 4 POSITIONS



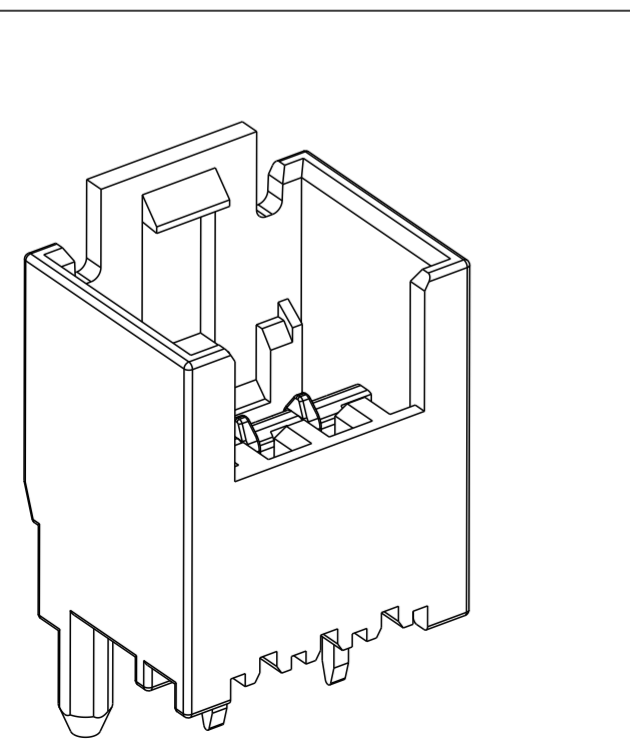
SCALE 3:1

LATCH DESIGN FOR PARTS WITH POSITION BIGGER THAN 4



PCB LAYOUT B - SOLDER SIDE ODD NUMBER OF PINS

40.00	40.00	45.10	40.00	17
20.00	20.00	25.10	20.00	9
15.00	-	20.10	15.00	7
10.00	-	17.60	12.50	6
10.00	10.00	15.10	10.00	5
5.00	-	12.60	7.50	4
5.00	5.00	10.10	5.00	3
Q	P	N	M	POS



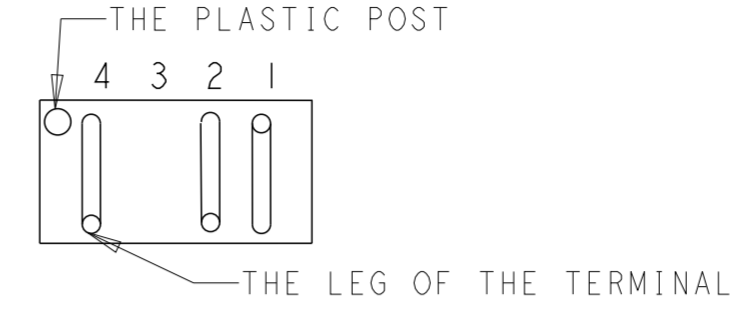
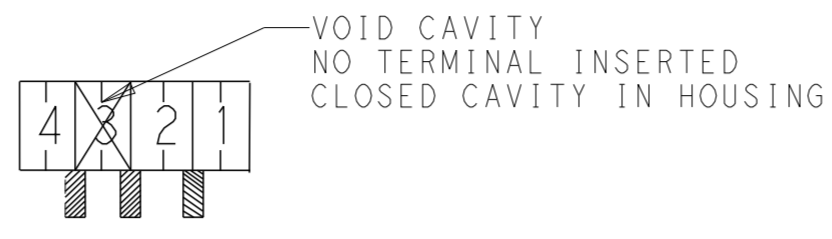
THIS DRAWING IS A CONTROLLED DOCUMENT.

DIMENSIONS: mm	TOLERANCES UNLESS OTHERWISE SPECIFIED:	DWN: 16APR2015 WINTER WANG	CHK: 16APR2015 JAIN LIU	APVD: 16APR2015 RICCARDO ROBONE	NAME: RAST 2.5 TAB HEADER ASSY POTTED VERSION
0 PLC ±	1 PLC ±	2 PLC ±0.20	3 PLC ±	4 PLC ±	ANGLES ±1°
MATERIAL: -	FINISH: -	PRODUCT SPEC: 108-106079	APPLICATION SPEC: -	WEIGHT: -	SIZE: A200779
CUSTOMER DRAWING		SCALE: 5:1	SHEET: 1 OF 7	REV: B2	RESTRICTED TO: -

STE TE Connectivity

THIS DRAWING IS UNPUBLISHED. RELEASED FOR PUBLICATION 20
 © COPYRIGHT 20 BY - ALL RIGHTS RESERVED.

REVISIONS					
P	LTR	DESCRIPTION	DATE	DWN	APVD
-	-	SEE SHEET 1	-	-	-



KEYING CONFIGURATION	TAIL CONFIGURATION	PCB LAYOUT	COLOR	VOID CAVITY	CAVITY	TE PART NUMBER	REVISION
		B	BLACK	2	3	2-2232962-3	B
		B	NATURAL	2	3	1-2232962-3	B
		A	BLACK	-	3	8-2232960-3	B
		A	NATURAL	-	3	7-2232960-3 △5	1
		A	NATURAL	-	3	6-2232960-3	B
		A	NATURAL	-	3	5-2232960-3	B
		A	NATURAL	-	3	4-2232960-3	B
		A	BLACK	-	3	3-2232960-3	B
		A	BLACK	-	3	2-2232960-3	B
		A	NATURAL	-	3	1-2232960-3	B

THIS DRAWING IS A CONTROLLED DOCUMENT.

DWN: WINTER WANG 16APR2015
 CHK: JAIN LIU 16APR2015
 APVD: RICCARDO ROBONE 16APR2015

STE TE Connectivity

NAME: RAST 2.5 TAB HEADER ASSY POTTED VERSION

PRODUCT SPEC: 108-106079

APPLICATION SPEC: -

SIZE: A2 CAGE CODE: C-2232960 DRAWING NO: - RESTRICTED TO: -

WEIGHT: -

CUSTOMER DRAWING SCALE: 5:1 SHEET: 2 OF 7 REV: B2

THIS DRAWING IS UNPUBLISHED. RELEASED FOR PUBLICATION 20
 © COPYRIGHT 20 BY - ALL RIGHTS RESERVED.

REVISIONS					
P	LTR	DESCRIPTION	DATE	DWN	APVD
-	-	SEE SHEET 1	-	-	-

		B	NATURAL	2	3	4-2232962-3	A
		B	NATURAL	2	3	3-2232962-3	A
		A	NATURAL	-	3	9-2232960-3	A
KEYING CONFIGURATION	TAIL CONFIGURATION	PCB LAYOUT	COLOR	VOID CAVITY	CAVITY	TE PART NUMBER	REVISION

THIS DRAWING IS A CONTROLLED DOCUMENT.

DWN WINTER WANG 16APR2015	TE Connectivity NAME RAST 2.5 TAB HEADER ASSY POTTED VERSION				
CHK JAIN LIU 16APR2015					
APVD RICCARDO ROBONE 16APR2015					
PRODUCT SPEC 108-106079					
MATERIAL -	APPLICATION SPEC -	SIZE A2	CAGE CODE 00779	DRAWING NO C-2232960	RESTRICTED TO -
DIMENSIONS: mm	TOLERANCES UNLESS OTHERWISE SPECIFIED: 0 PLC ± 1 PLC ± 2 PLC ±0.20 3 PLC ± 4 PLC ± ANGLES ±1° FINISH	WEIGHT -	SCALE 5:1	SHEET 3 OF 7	REV B2
CUSTOMER DRAWING					

THIS DRAWING IS UNPUBLISHED. RELEASED FOR PUBLICATION 20
 © COPYRIGHT 20 BY - ALL RIGHTS RESERVED.

REVISIONS				
P	LTR	DESCRIPTION	DATE	APVD
-	-	SEE SHEET 1	-	-

		A	NATURAL	-	4	6-2232960-4	A
		A	NATURAL	-	4	5-2232960-4	A
		A	NATURAL	-	4	4-2232960-4	B
		A	NATURAL	-	4	3-2232960-4	B
		A	BLACK	-	4	2-2232960-4	B
		A	NATURAL	3	4	1-2232960-4	B
		B	NATURAL	2, 4	5	3-2232962-5	A
		B	BLACK	2, 4	5	1-2232962-5	A
		A	BLACK	-	5	2-2232960-5	A
		A	NATURAL	-	5	1-2232960-5	A
KEYING CONFIGURATION	TAIL CONFIGURATION	PCB LAYOUT	COLOR	VOID CAVITY	CAVITY	TE PART NUMBER	REVISION

THIS DRAWING IS A CONTROLLED DOCUMENT.

DIMENSIONS: mm	TOLERANCES UNLESS OTHERWISE SPECIFIED:	DWN: WINTER WANG 16APR2015	TE Connectivity NAME: RAST 2.5 TAB HEADER ASSY POTTED VERSION SIZE: A2 CAGE CODE: 108-106079 DRAWING NO: C-2232960 RESTRICTED TO: -
	0 PLC ± 1 PLC ± 2 PLC ±0.20 3 PLC ± 4 PLC ± ANGLES ±1° FINISH	CHK: JAIN LIU 16APR2015	
MATERIAL: -	-	APVD: RICCARDO ROBONE 16APR2015	
-	-	PRODUCT SPEC: 108-106079	
CUSTOMER DRAWING		SCALE: 5:1	SHEET: 4 OF 7

THIS DRAWING IS UNPUBLISHED. RELEASED FOR PUBLICATION 20
 © COPYRIGHT 20 BY - ALL RIGHTS RESERVED.

REVISIONS					
P	LTR	DESCRIPTION	DATE	DWN	APVD
-	-	SEE SHEET 1	-	-	-

		A	NATURAL	-	7	4-2232960-7	A
		A	NATURAL	-	7	3-2232960-7	A
		B	NATURAL	2, 4, 6	7	1-2232962-7	A
		A	NATURAL	-	7	2-2232960-7	A
		A	NATURAL	-	7	1-2232960-7	A
		A	NATURAL	-	6	4-2232960-6	A
		A	NATURAL	-	6	3-2232960-6	A
		A	NATURAL	-	6	2-2232960-6	A
		A	NATURAL	-	6	1-2232960-6	A
KEYING CONFIGURATION	TAIL CONFIGURATION	PCB LAYOUT	COLOR	VOID CAVITY	CAVITY	TE PART NUMBER	REVISION

THIS DRAWING IS A CONTROLLED DOCUMENT.

DWN: WINTER WANG 16APR2015
 CHK: JAIN LIU 16APR2015
 APVD: RICCARDO ROBONE 16APR2015

STE TE Connectivity

NAME: RAST 2.5 TAB HEADER ASSY POTTED VERSION

PRODUCT SPEC: 108-106079

APPLICATION SPEC: -

SIZE: A2 CAGE CODE: 00779 DRAWING NO: C-2232960 RESTRICTED TO: -

WEIGHT: -

CUSTOMER DRAWING SCALE: 5:1 SHEET: 5 OF 7 REV: B2

THIS DRAWING IS UNPUBLISHED. RELEASED FOR PUBLICATION 20
 © COPYRIGHT 20 BY - ALL RIGHTS RESERVED.

REVISIONS					
P	LTR	DESCRIPTION	DATE	DWN	APVD
-	-	SEE SHEET 1	-	-	-

		B	NATURAL	2, 4, 6, 8, 10, 12, 14, 16	17	2-2232963-7	A
		B	NATURAL	2, 4, 6, 8, 10, 12, 14, 16	17	1-2232963-7	A
		B	NATURAL	2, 4, 6, 8	9	1-2232962-9	A
		A	NATURAL	-	9	2-2232960-9	A
		A	NATURAL	-	9	1-2232960-9	A
KEYING CONFIGURATION	TAIL CONFIGURATION	PCB LAYOUT	COLOR	VOID CAVITY	CAVITY	TE PART NUMBER	REVISION

THIS DRAWING IS A CONTROLLED DOCUMENT.

DWN: WINTER WANG 16APR2015
 CHK: JAIN LIU 16APR2015
 APVD: RICCARDO ROBONE 16APR2015

NAME: RAST 2.5 TAB HEADER ASSY POTTED VERSION

PRODUCT SPEC: 108-106079

APPLICATION SPEC: -

WEIGHT: -

CUSTOMER DRAWING

SCALE: 5:1 SHEET: 6 OF 7 REV: B2

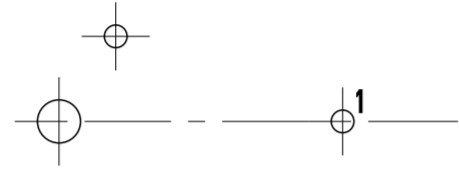
SIZE: A2 CAGE CODE: C-2232960 DRAWING NO: 108-106079 RESTRICTED TO: -

STE TE Connectivity

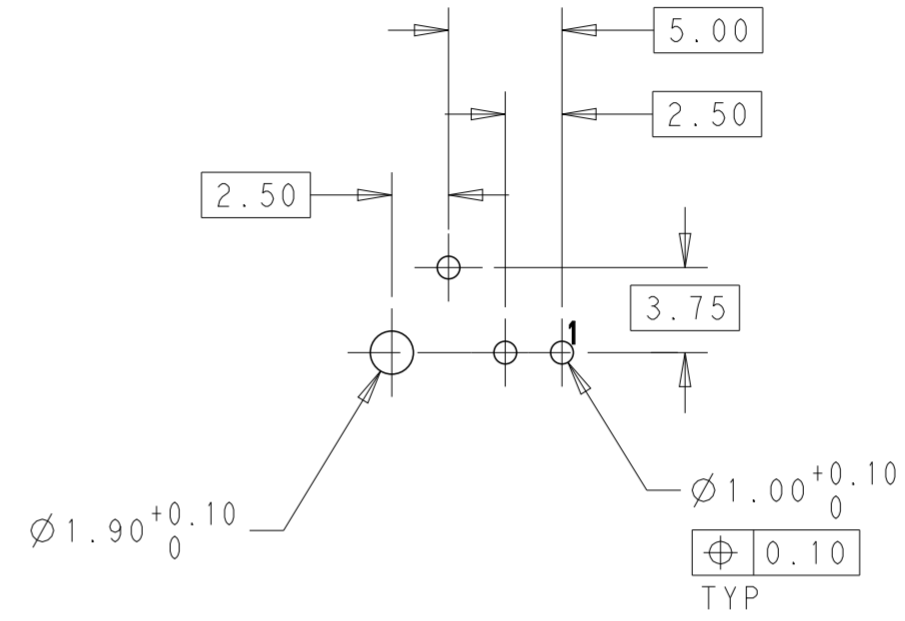
THIS DRAWING IS UNPUBLISHED. RELEASED FOR PUBLICATION 20
 © COPYRIGHT 20 BY - ALL RIGHTS RESERVED.

REVISIONS					
P	LTR	DESCRIPTION	DATE	DWN	APVD
-	-	SEE SHEET 1	-	-	-

PARTS WITH SPECIAL PCB LAYOUT



PCB LAYOUT C - SOLDER SIDE



PCB LAYOUT D - SOLDER SIDE

		C	NATURAL	2, 3, 4	5	2-2232962-5	A
		D	NATURAL	-	3	2364721-3	B
KEYING CONFIGURATION	TAIL CONFIGURATION	PCB LAYOUT	COLOR	VOID CAVITY	CAVITY	TE PART NUMBER	REVISION

THIS DRAWING IS A CONTROLLED DOCUMENT.

DWN: WINTER WANG 16APR2015
 CHK: JAIN LIU 16APR2015
 APVD: RICCARDO ROBONE 16APR2015

STE TE Connectivity

NAME: RAST 2.5 TAB HEADER ASSY POTTED VERSION

PRODUCT SPEC: 108-106079

APPLICATION SPEC: -

SIZE: A2 CAGE CODE: 200779 DRAWING NO: C-2232960 RESTRICTED TO: -

WEIGHT: -

CUSTOMER DRAWING SCALE: 5:1 SHEET: 7 OF 7 REV: B2