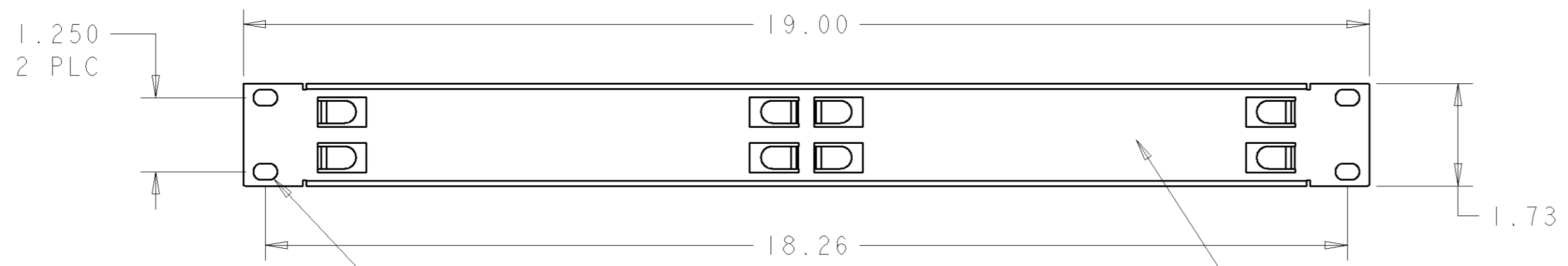
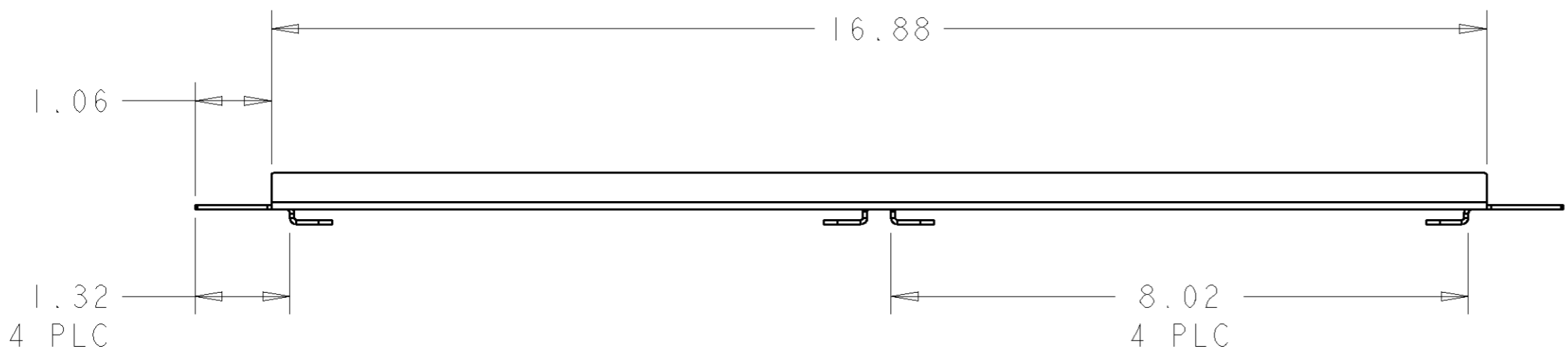


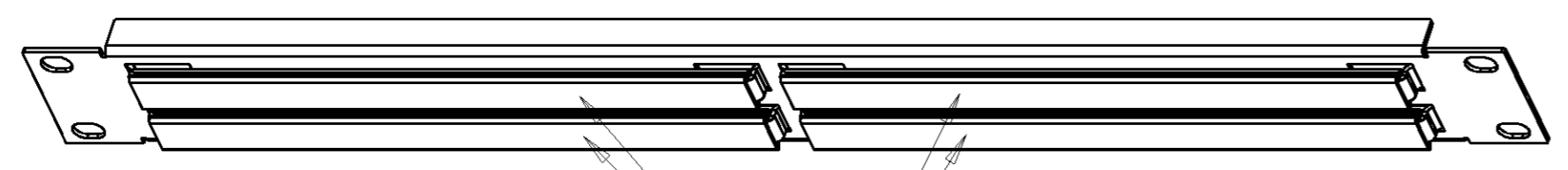
THIS DRAWING IS UNPUBLISHED. RELEASED FOR PUBLICATION 20
 © COPYRIGHT 20 BY TYCO ELECTRONICS CORPORATION. ALL RIGHTS RESERVED.

LOC	DIST	REVISIONS					
HP	16	P	LTR	DESCRIPTION	DATE	DWN	APVD
			A	PER NSD-04-134	09NOV2004	WS	AK



.278 x .406 SLOT
4 PLC

PANEL
 MATERIAL: .06 THK. STEEL
 FINISH: BLACK POWDER COAT



LABEL HOLDER
 MATERIAL: PVC
 FINISH: CLEAR
 QUANTITY: 4

LABEL: SOLD SEPARATELY
 P/N 1375354-X

⚠ (4) #12-24 x .50 PHILLIPS
 PAN HEAD SCREWS BAGGED AND
 SHIPPED WITH UNIT.

1777040-1
 PART No.

<small>THIS DRAWING IS A CONTROLLED DOCUMENT FOR TYCO ELECTRONICS CORPORATION IT IS SUBJECT TO CHANGE AND THE CONTROLLING ENGINEERING ORGANIZATION SHOULD BE CONTACTED FOR THE LATEST REVISION.</small>		DWN WJ SOURBEER 01OCT2004 CHK J HOFFER 01OCT2004 APVD B BARRY 01OCT2004	tyco Electronics Tyco Electronics Harrisburg, PA 17105-3608
DIMENSIONS: INCHES 	TOLERANCES UNLESS OTHERWISE SPECIFIED: 0 PLC ± 1 PLC ±0.1 2 PLC ±0.02 3 PLC ±0.005 4 PLC ±0.0005 ANGLES ± FINISH	NAME PANEL, STRAIGHT, 1U, LABEL HOLDER PRODUCT SPEC APPLICATION SPEC WEIGHT CUSTOMER DRAWING	SIZE A200779 CAGE CODE C-1777040 DRAWING NO. 1777040-1 RESTRICTED TO - SCALE 1:2 SHEET 1 OF 1 REV A