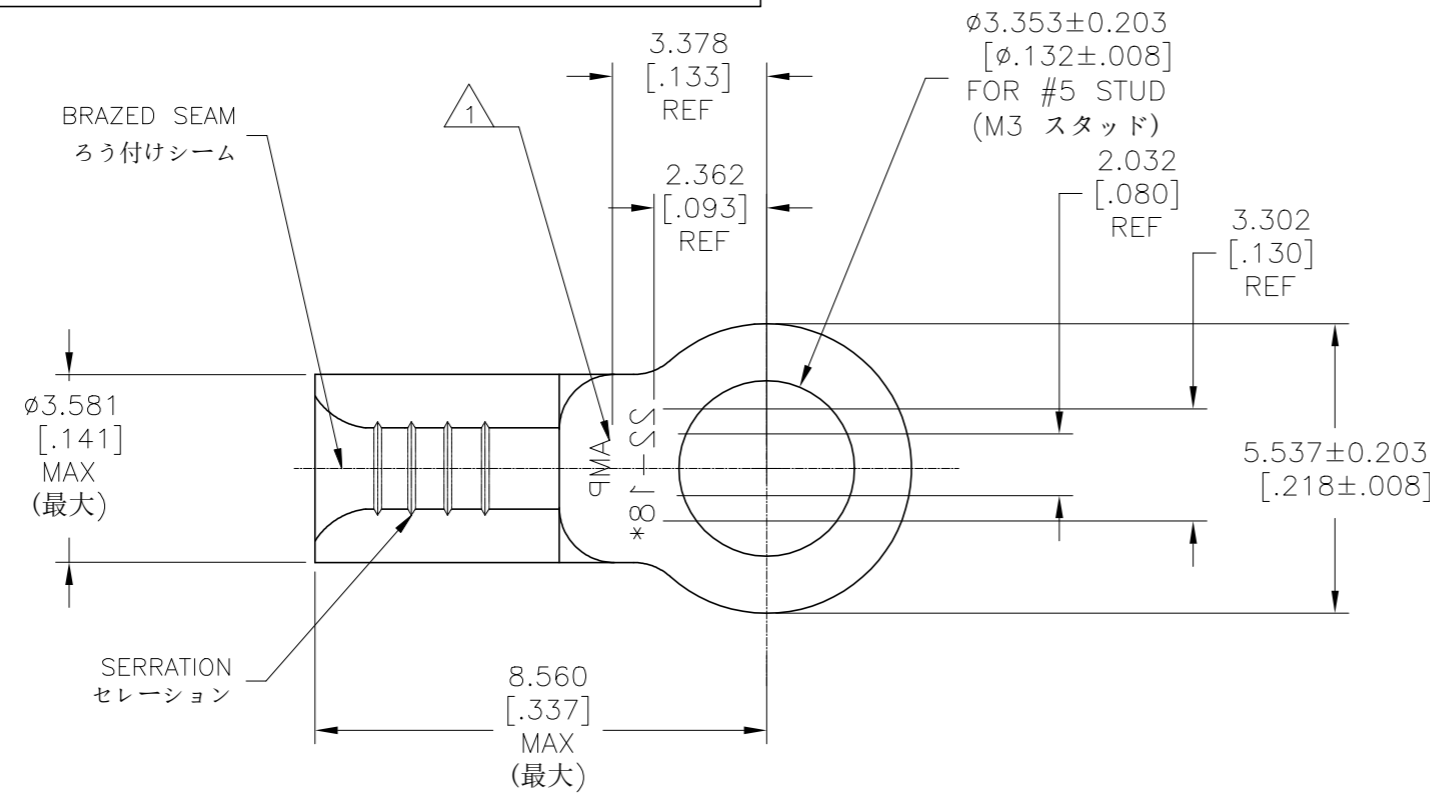
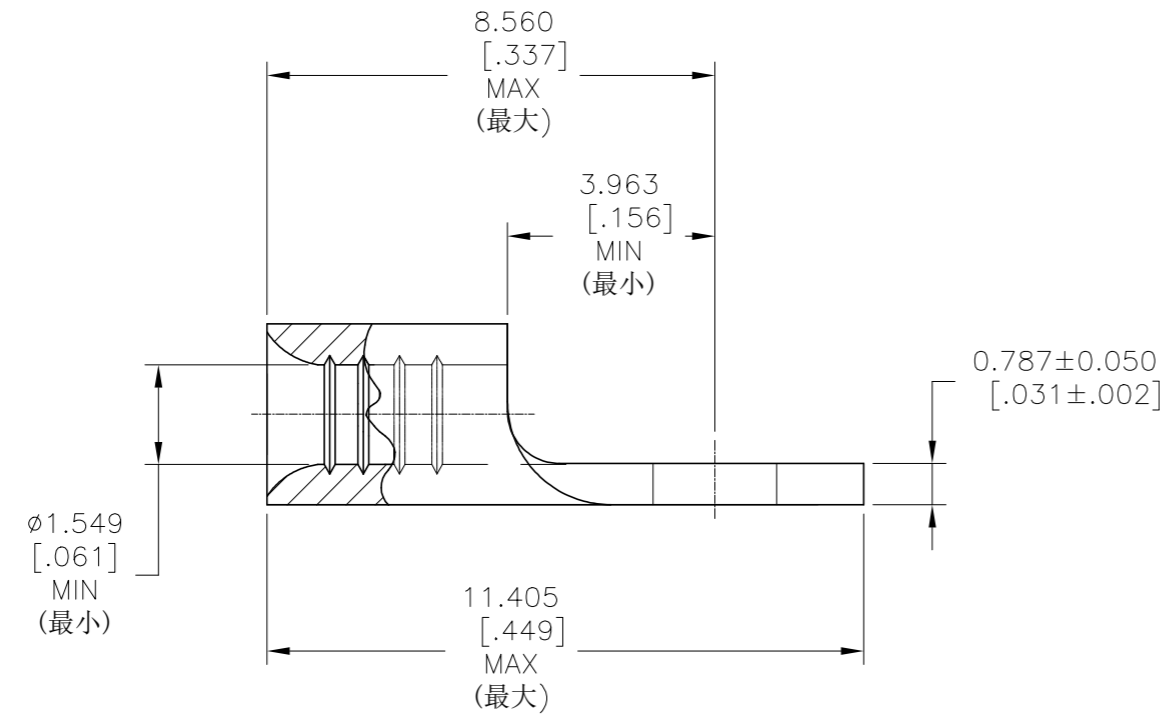


THIS DRAWING IS UNPUBLISHED. RELEASED FOR PUBLICATION
 © COPYRIGHT - N1 ALL RIGHTS RESERVED.

REVISIONS				
P	LTR	DESCRIPTION	DATE	APVD
	N1	REDRAW PER ECO-19-001217	11MAR11	RS DR



AMP WIRE RANGE	E13288 Listed
22-16 AWG STRANDED	22-16 AWG STRANDED



△1 STAMP AMP 22-18* APPROX AS SHOWN, 22-16 TERMINALS ARE STAMPED 22-18 IN ACCORDANCE WITH MILITARY SPECIFICATION SAE AS7928, COMMERCIAL WIRE RANGE IS 22-16
 △1 スタンプアンプ22-18 *下図のように約, 22-16端子があります 軍事仕様に従って22-18の刻印 SAE AS7928、商用配線範囲は22~16です

**AMP INCORPORATED
CUSTOMER SERVICE SYSTEMS**

MAX RECOMMENDED OPERATING TEMPERATURE:
170°C [338°F] MAX

FOR ADDITIONAL PRODUCT INFORMATION OR COPIES OF DRAWINGS AND TECHNICAL DOCUMENTS	PRODUCT INFORMATION CENTER 1-800-522-6752
FOR APPLICATION TOOLING INFORMATION	TOOLING ASSISTANCE CENTER 1-800-722-1111
FOR ORDER ENTRY	1-800-526-5142

VOLTAGE RATING:
NOT APPLICABLE

WIRE CROSS SECTIONAL AREA RANGE:
0.26-1.65mm² [509-3,260] CIR MILS STRANDED

THIS DRAWING IS A CONTROLLED DOCUMENT FOR AMP INCORPORATED. IT IS SUBJECT TO CHANGE AND THE CONTROLLING ENGINEERING ORGANIZATION SHOULD BE CONTACTED FOR THE LATEST REVISION.

1000	LOOSE PIECE	170720-1
QTY 数量	PACKAGE TYPE パッケージ型式	PART NUMBER (部品番号)

THIS DRAWING IS A CONTROLLED DOCUMENT.		DWN RAVI.S 07MAY2019	TE Connectivity	
DIMENSIONS: mm [NCHES]		CHK ROHDE DANIEL F 07MAY2019	NAME ROHDE DANIEL F	
TOLERANCES UNLESS OTHERWISE SPECIFIED:		APVD ROHDE DANIEL F 07MAY2019	PRODUCT SPEC UL 486 A-B	
0 PLC ± -		APPLICATION SPEC		
1 PLC ± -		SIZE A2		
2 PLC ± -		CAGE CODE 00779		
3 PLC ± 0.127[.005]		DRAWING NO C-170720		
4 PLC ± -		RESTRICTED TO		
ANGLES ± -		WEIGHT		
MATERIAL COPPER PER (銅当たり) ASTM B-152 ANNEALED (焼なまし)		FINISH TIN PLATE (ティンプレート) 0.00254[.000100] MIN		
CUSTOMER DRAWING		SCALE 10:1 SHEET 1 of 1 REV N1		